

Aluminum Industrial Wide Gap Switch Set

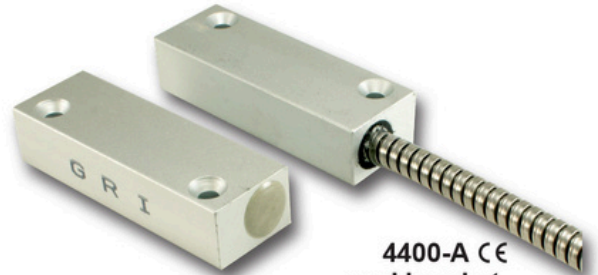


WWW.GRISK.COM

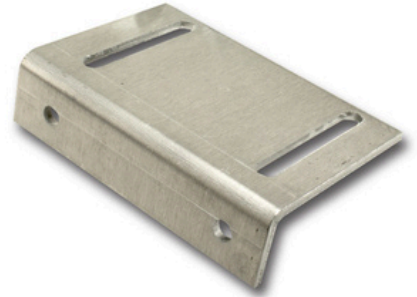
4400 Series



- ◆ S-12 bracket included
- ◆ Ideal for securing chain link gates, overhead garage doors, safes and walk in freezer doors
- ◆ Weather resistant rugged aluminum housing
- Switches operate within a range of -40°F to 257°F
- ◆ 4400 has 36" 2 conductor vinyl jacked cable
 - ◆ 4400-A comes with 36" armored cable
- ◆ Built in E.O.L. resistors and diodes upon request
 - ◆ Supervisory loops available upon request
 - ◆ Switches and magnets available separately
 - ◆ Spacers available, PN 5226
 - ◆ Lifetime Warranty



4400-A CE and bracket



Other mounting kits also available. Please call factory for more information.

8450-3 Gate Mounting Kit
Includes 4402-A switch set, brackets and hardware



Part Numbers

	<u>Closed Loop</u>	<u>SPDT</u>	<u>DPDT</u>
Standard Gap 2.5"	4400	4402	
	4400-A } CE	4402-A	4405-A

GEORGE RISK INDUSTRIES, INC.
G.R.I. PLAZA
KIMBALL, NE 69145

WWW.GRISK.COM



1-800-445-5218
1-800-523-1227
(308) 235-4645
FAX (308) 235-3561
E-MAIL: sales@grisk.com

Aluminum Industrial Wide Gap Switch Set

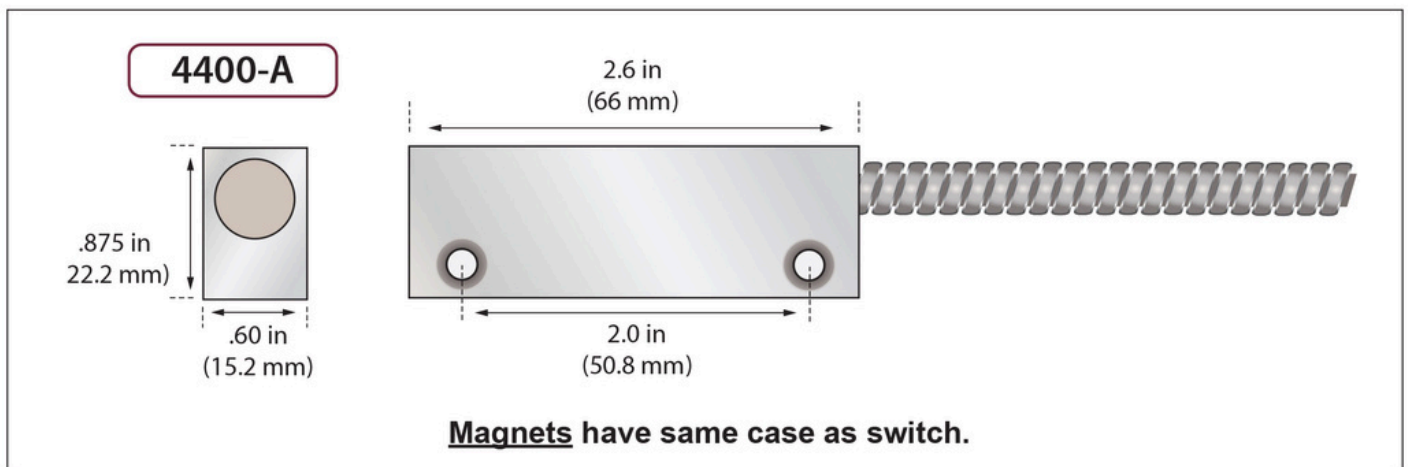


WWW.GRISK.COM

INSTALLATION APPLICATIONS

GRI's 4400 switch series is a heavy duty surface mounted industrial grade contact. A weather resistant rugged aluminum housing and a variety of optional mounting brackets make it ideal for securing chain link gates, overhead garage doors, safes or walk-in freezer doors.

A standard 3 foot length of stainless steel cable is offered as is a vinyl jacketed CL-2 type cable. Custom cable lengths of either type are available by special request. A case spacer, PN 5226 can also be ordered as a separate mounting accessory. Switch sets include all other mounting hardware. A mounting kit, PN#8297 is also available for garage door tract mounting. The kit includes a 4402-A switch set, brackets and mounting hardware.



GRI PRODUCTS MEET OR EXCEED THESE MINIMUM GENERAL SPECIFICATIONS:

Part Number	Loop Type	Electrical Configuration	Reed Form	Max. Initial Contact Resistance (Ω)	Max. Contact Rating (W)	Max. Switching Voltage (VDC)	Max. Switching Current (A)
4400	Closed	N/O	A	.150	10	200	.500
4400-A	Closed	N/O	A	.150	10	200	.500
4402	Open/Closed	SPDT	C	.140	5	175	.250
4402-A	Open/Closed	SPDT	C	.140	5	175	.250
4405-A	Open/Closed	DPDT	CX2	.140	5	175	.250

WARRANTY: Lifetime warranty against workmanship, material and factory defects.

GEORGE RISK INDUSTRIES, INC.
G.R.I. PLAZA
KIMBALL, NE 69145

WWW.GRISK.COM



1-800-445-5218
1-800-523-1227
(308) 235-4645
FAX (308) 235-3561
E-MAIL: sales@grisk.com