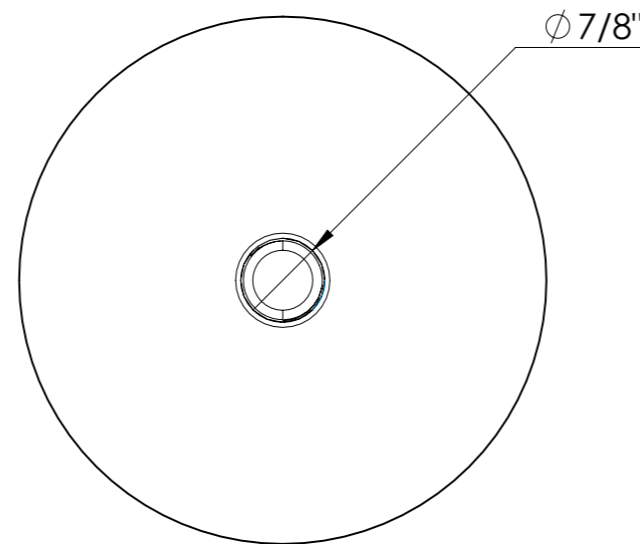
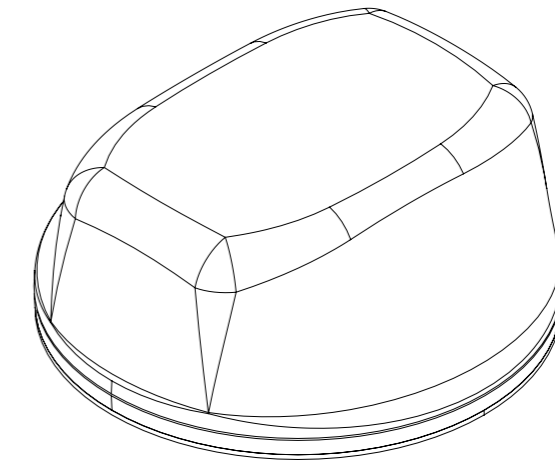
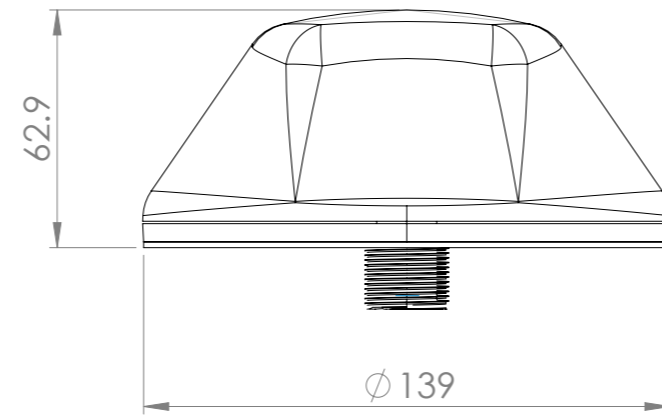


REVISION	DRN BY	DRN DATE	CHK BY	CHK DATE	CHANGE DESCRIPTION
01	JMc	29/01/24	TE	29/01/24	Initial drawing
-	-	-	-	-	-
-	-	-	-	-	-



DEBURR AND BREAK SHARP EDGES  
DO NOT SCALE DRAWING

UNLESS OTHERWISE SPECIFIED:  
DIMENSIONS ARE IN MILLIMETERS  
TOLERANCES:  
LINEAR: +/- 0.1  
ANGULAR: +/- 0.5



DWG NO. AMGANT-C2W2-ODA4-1 Series

TITLE: AMGANT-C2W2-ODA4-1 Series

FINISH: MATERIAL: Material <not specified>

REVISION 01 A3

Document is property of AMG Systems Ltd and must not be shared, copied or printed without prior consent. SCALE:1:2 SHEET 1 OF 1

