



## AVC-TCE21F28

NDA  
COMPLIANT

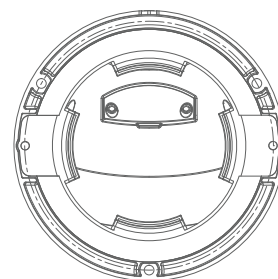
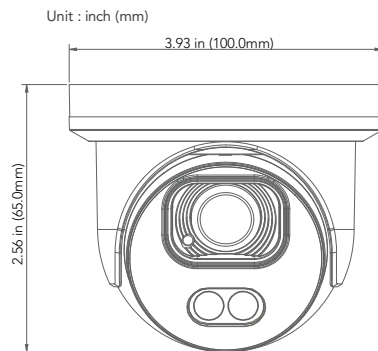
2MP INFINITECOLOR FIXED TURRET CAMERA

### OVERVIEW

- 2MP ( 1920 x 1080 ) @ 30fps
- Max. Resolution: 1920 x 1080
- True Day & Night ICR
- Up to 98 ft. IR Illumination
- Fixed 2.8mm Lens
- 2D DNR, HLC, BLC
- AoC(Audio over Coaxial) up to 22.9ft
- Supports Remote Access with Windows, macOS, iOS and Android
- Operating Temperature: -22°F - 122°F
- DC12V
- NDA Compliant

### DIMENSIONS

Unit : inch(mm)



### OPTIONAL ACCESSORIES



AVM-JB-BE-S1(G)  
JUNCTION BOX



AVM-CWM-EV-S2  
WALL MOUNT



AVM-HWM-E-S1  
WALL MOUNT WITH  
JUNCTION BOX



AVM-HCM-E-S1  
CEILING MOUNT WITH  
JUNCTION BOX



AVM-CRM-A1  
CORNER MOUNT



AVM-P-POM-A2  
POLE MOUNT

## SPECIFICATIONS

CAMERA	
Image Sensor	1/2.7" Progressive Scan CMOS
Resolution	2MP
Image Size	1920 X 1080
Video Output	1-channel BNC Video Output
Image System	PAL / NTSC
Electronic Shutter Speed	Auto
IR Distance	Up to 98ft.
Video Formats	HD-TVI / AHD / CVI / CVBS(Analog)
Frame Rate	HD-TVI / AHD / CVI: 30FPS CVBS Analog: 960H
Min. Illumination	0.05lux@F1.2(AGC ON),0Lux with IR ON
Lens	fixed 2.8mm Lens
Angular Field of View	H:109.7° / V:57.6° / D:131.0°
Lens Mount	φ14mm
S/N Ratio	36dB
Function Control	OSD,Control over Coax (UTC)
IMAGE	
Day & Night	Color / Ext / BW ( Black and White)
Digital WDR	N/A
Digital Noise Reduction	Yes (2D DNR)
Auto Gain Control ( AGC)	Yes
Auto White Balance (AWB)	Yes
Backlight Compensation (BLC)	No
Edge Brightness Compensation	Yes
Defog	Yes
HLC	Yes
Sharpness	Yes
Mirror Image	Yes
Smart IR (Anti-SAT)	Yes
Image Setting	Yes
Defect Correction	Auto / Manual
GENERAL	
Audio	Audio over coaxial
Audio Range	22.9ft(7m)
Angle Adjustment	Any Angle
Input Voltage	DC 12V (±10%)
Power Consumption	IR OFF ≤0.8W, IR ON ≤4W
Ingress Protection	IP67
Working Temperature	-22°~131° F (-30°~55° Celcius)
Dimensions	3.93" x 2.56" (100.0mm x 65.0mm)

