

GARD-N-POST™



SUPPORTS & ENCLOSURES

Arlington



FOR OUTDOOR INSTALLATIONS • UL/CSA LISTED

Look Great

OUTDOORS!

UL/CSA LISTED SUPPORTS & ENCLOSURES

GARD-N-POST™

Arlington's **Gard-N-Posts™** are the attractive, safe and easy way to install light fixtures and devices outdoors!

We offer a variety of styles, from 9" to 73" tall that function as supports or enclosures – or both!

Made of non-metallic, heavy-duty plastic, our damage-resistant Gard-N-Post holds up against abuse from lawn maintenance equipment.

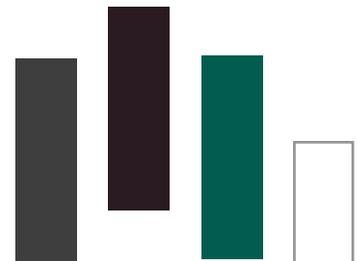
Most have built-in stabilizers that deliver rigid support and require no assembly. The angle-cut at the bottom allows for easy access to underground wires (Not applicable to GPD9 deck/post mount style or the GPLN15GR low profile support.)

Plus, the colorant runs throughout the post, so there's no chipping or loss of color.

For added convenience, **GP19**, **GP26** and **GP37**, our most popular sizes, come with a supplied separator so you can install power and low voltage outlets in the same post.

Some styles come with a metal grounding bushing in place, ready for the installation of an NPT fixture. And some have KO's that make them UL Listed enclosures.

Whatever your need, there's a Gard-N-Post to fit!



Four permanent colors. No chipping!

*GP19 • GP26 • GP37
One post. Two openings.*



Power



Low voltage separator



Low Voltage



Arlington



CSA Listed with grounding lugs

Patented. Other patents pending.

800.233.4717 • www.aifittings.com • EMAIL sales@aifittings.com

FOR ANY OUTDOOR APPLICATION

USES

HEIGHT • CATALOG NO.

Supports
for fixture(s)
and/or GFCI



page **4**

19.5"
GP19
26"
GP26



Bollard Kit ▶
Support
for fixture
and/or GFCI



page **8**

28"
GPBK28
35"
GPBK35



Super Tall
Support
for fixture
and/or GFCI



page **6**

37"
GP37 ▶
Optional
18" extender
GPX18



Low Profile Supports
with bushing
for 2- and 3-wire
light fixtures



page **10**

19.5"
GPLN19
15"
GPLN15GR ▶
19.5"
GPL19



Low Profile
Enclosure
with built-in weatherproof
while-in-use cover



page **11**

19.5"
GPD19



Deck/Post
Mount Support
for fixture and/or GFCI



page **7**

9"
GPD9



3-wire type
Light Fixtures
for use with GARD-N-POST™



page **12**

Decorative Lighting
GPI75B, GP175BR
Pagoda-style Lighting
GPP60B, GPP60LB,
GPP60LB, GPP60LBR

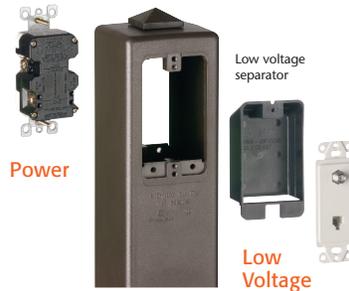


FOR ANY OUTDOOR LIGHT FIXTURE UP TO 18 LBS

GP19 19.5"

GP26 26"

- Openings on both sides of the post allow for back-to-back power – use the supplied low voltage separator to install power and low voltage outlets in the same post
- Built-in stabilizers require no assembly and deliver rigid support
- Designed for easy access to underground wiring
- Four 1/2" KOs for a UL Listed enclosure
- For any outdoor light fixture up to 18 lbs, with 1/2" or 3/4" NPT threads, and/or a GFCI wiring device
- Four colors
- Competitively priced



Patented.
Other patents pending.

GP19 19.5" Height

CATALOG NUMBER	UPC/DCI/NAED MFG. #01 8997	COLOR	UNIT PKG	STD PKG
GP19B	77086	Black	1	6
GP19BR	77087	Bronze	1	6
GP19G	77088	Green	1	6
GP19W	77089	White	1	6

Note: Add suffix 'GC' for orders in Canada

GP26 26" Height

CATALOG NUMBER	UPC/DCI/NAED MFG. #01 8997	COLOR	UNIT PKG	STD PKG
GP26B	77090	Black	1	6
GP26BR	77092	Bronze	1	6
GP26G	77094	Green	1	6
GP26W	77096	White	1	6

Note: Add suffix 'GC' for orders in Canada

Includes:
Installed 3/4" x 1/2" NPT metal reducing bushing, locknut with copper ground wire for fixture installation, (2) blank device plates, gaskets and screws, plug for top hole (when fixture is not installed), low voltage separator, removable KO plate.

FOR LIGHT FIXTURE(S) AND/OR A GFCI



Arlington

OUR TALLEST SUPPORT FOR MOST OUTDOOR LIGHT FIXTURES

GP37 37"

Optional GPX18 18" Extender

Our tallest Gard-N-Post supports most outdoor light fixtures, and/or a GFCI wiring device.

- Adaptable in the field for time clocks and disconnects
- Openings on both sides of the post and the low voltage separator (supplied) allow for low voltage on one side, power on the other.
- Built-in stabilizers
- Two 1/2" KOs for a UL Listed enclosure
- Non-chipping colors
- UV rated plastic

Add the GPX18 (optional) to extend the GP37 in 18" increments, up to 73" tall. Or cut the top of the extender to the desired height.



GP37

Our tallest 2-piece Gard-N-Post assemblies with PVC cement

Extend the height of GP37 up to 73"

GPX18 Optional 18" Extender



GP37 37" Height

CATALOG NUMBER	UPC/DCI/NAED MFG. #01 8997	COLOR	UNIT PKG	STD PKG
GP37B	76153	Black	1	4
GP37BR	76154	Bronze	1	4
GP37G	76156	Green	1	4
GP37W	76155	White	1	4

Includes:
Installed 3/4" x 1/2" NPT metal reducing bushing, locknut with copper ground wire for fixture installation, (2) blank device plates, gaskets and screws, plug for top hole (when fixture is not installed), low voltage separator and removable KO plate.

OPTIONAL GP18X 18" Extender

CATALOG NUMBER	UPC/DCI/NAED MFG. #01 8997	COLOR	UNIT PKG	STD PKG
GPX18B	76157	Black	1	4
GPX18BR	76158	Bronze	1	4
GPX18G	76160	Green	1	4
GPX18W	76159	White	1	4

Note: Add suffix 'GC' for orders in Canada

Two-piece Deck/Post Mount Support

GARD-N-POST™

LOW PROFILE • MOUNTS LIGHT FIXTURES ON DECK OR POST



GP9B with
light fixture
GPP60B



Four permanent colors.
No chipping!



GPD9 9"

This low profile 9" support is ideal for mounting most light fixtures and/or a GFCI wiring device on a deck or post.

- Non-metallic two-piece design
- UV rated plastic for long outdoor life
- Metal grounding bushing assembly included
- Two 1/2" KOs for a UL Listed enclosure
- Includes plug for top for device-only installations
- Four permanent colors
- UL and CSA Listed (CSA w/ grounding lug)
- Competitively priced!



GP9
Two-piece
Gard-N-Post

Look Great OUTDOORS!

See back for Light Fixture details



CSA Listed with
grounding lugs

GPD9 9" Height

CATALOG NUMBER	UPC/DCI/NAED MFG. #01 8997	COLOR	UNIT PKG	STD PKG
GPD9B	76161	Black	1	6
GPD9BR	76162	Bronze	1	6
GPD9G	76164	Green	1	6
GPD9W	76163	White	1	6

Note: Add suffix 'GC' for orders in Canada

Includes:
Installed 3/4" x 1/2" NPT metal reducing bushing, locknut with copper ground wire for fixture installation, blank device plate, gasket and screws, plug for top hole (when fixture is not installed), removable KO plate and mounting base.



Arlington

SUPPORT POST WITH PAGODA LIGHT FIXTURE

GPBK28 28"

GPBK35 35"

- Perfect for decks, boat docks and concrete walkways
- Square pagoda-style light fixture matches the Gard-N-Post's shape
- Standard lamp socket in the fixture accommodates a variety of lamp types
- Back-to-back openings in the post, and the low-voltage separator give you the option of installing power in one side, and low-voltage in the other or high voltage devices in both
- Two combination KO plates provide a UL Listed enclosure
- Non chipping colors: black, bronze
- Low cost bollard in two sizes!
- Easy installation—includes everything you need to install it, except anchor bolts and caulking



Metal Support Post

1 Attaches easily to surface



2 The non-metallic Gard-N-Post slides over the metal support post as shown at right.

Both posts are held firmly in place with the supplied screws (see above).

Easy to install!



28" or 35" Non-metallic Gard-N-Post



Decorative Curb

Gard-N-Post

3 Place decorative curb over Gard-N-Post. Slide it down to cover the installation.



Spacer

4 Press fit spacer to base of lamp.



5 Install pagoda light to post with locknut *inside* the top of the post. Wire fixture.

Recommended anchors (not included): Concrete: (4) 3/8" x 2-1/2" Tapcons®
Cast-in-place concrete: (4) 3/8" anchor bolts • Wood deck: (4) 3/8" anchor bolts w/ nuts & washers

Bollard Kit 28" and 35" Heights

CATALOG NUMBER	UPC/DCI/NAED MFG. #01 8997	COLOR/HEIGHT	UNIT PKG	STD PKG
GPBK28B	76090	Black, 28"	1	1
GPBK35B	77040	Black, 35"	1	1
GPBK35BR	77041	Bronze, 35"	1	1

Note: Add suffix 'GC' for orders in Canada

Kit includes:
Gard-N-Post and metal stabilizer, curb, pagoda light fixture and decorative spacer, (2) blank device plates with gaskets and screws, low voltage separator and removable KO plate with screws.

Sold separately

Pagoda Light Fixture complements Arlington's Gard-N-Post line

CATALOG NUMBER	UPC/DCI/NAED MFG. #01 8997	COLOR	UNIT PKG	STD PKG
GPP60LB	77046	Black	1	1
GPP60LBR	77047	Bronze	1	1

Fixture uses a 40 watt halogen, 40 watt incandescent, or a 13 watt fluorescent lamp. Lamp not included.

LOOKS GREAT A SQUARE LIGHT ON A SQUARE POST



*Perfect for
Concrete
Walkways
and Boat Docks!*



GPBK28
28" Bollard kit

GPBK35
with pagoda
light



Arlington

  CSA Listed with
grounding lugs

JUST FOR 2- AND 3-WIRE LIGHT FIXTURES • LOW COST

GPLN19 19.5"

GPL19 19.5"

GPLN15GR 15"

Installing a 2- or 3-wire outdoor light fixture is easier, and less expensive with Arlington's low cost Gard-N-Posts.

The GPLN series low profile support is designed for 3-wire light fixtures. It comes with a 3/4" NPT threaded opening, and an installed 3/4 x 1/2 non-metallic reducing bushing for use with 1/2" or 3/4" NPT fixtures.

- Installed cover
- Permanent colors – No chipping
- Heavy-duty – Resists damage from lawn mowers and other lawn maintenance equipment
- UV rated plastic for long outdoor life
- UL and CSA Listed



GPLN19

Non-metallic bushing for 3-wire fixtures only

Our Absolutely LOWEST COST Gard-N-Post

GPLN15GR

Non-metallic bushing for 3-wire fixtures only



GPL19

Metal bushing with ground wire for 2- or 3-wire fixtures



GPLN19 19.5" Height • Non-Metallic Bushing

CATALOG NUMBER	UPC/DCI/NAED MFG. #01 8997	COLOR	UNIT PKG	STD PKG
GPLN19B	76190	Black	6	6
GPLN19BR	76192	Bronze	6	6

GPLN19 & GPLN15GR Include: Access panel cover, gasket, 3/4" x 1/2" NPT non-metallic bushing for fixture installation.

GPLN15GR 15" Height • Non-Metallic Bushing

GPLN15GR	76181	Gray	10	
----------	-------	------	----	--

Note for all: Add suffix 'GC' for orders in Canada

GPL19 19.5" Height • Metal Bushing

CATALOG NUMBER	UPC/DCI/NAED MFG. #01 8997	COLOR	UNIT PKG	STD PKG
GPL19B	77000	Black	1	6
GPL19BR	77001	Bronze	1	6
GPL19G	77002	Green	1	6
GPL19W	77003	White	1	6

Includes: Access panel cover, gasket, installed 3/4" x 1/2" NPT metal grounding bushing and locknut with copper ground wire for fixture installation.

Low Profile Enclosure

GARD-N-POST™

WITH EXTRA DUTY WEATHERPROOF IN USE COVER



GPD19 19.5"

Arlington's low profile GPD19 Gard-N-Post enclosure costs about the same as multiple piece assemblies, but it looks a lot better, and installs faster and easier.

- Ships with a **clear extra-duty weatherproof in-use cover**, GFCI and duplex wall plate – no gasket required
- Four permanent, damage-resistant colors
- Made of heavy-duty, UV-rated plastic
- 19.5" tall
- UL Listed enclosure – Meets 2014 NEC extra-duty code requirements



Extra-Duty
Built-in
Weatherproof
Cover

UL Listed
Enclosure

GPD19

Reinforced Hinge

allows cover to comply with extra-duty code requirements of 2014 NEC

Look Great OUTDOORS!

Why install boxes like this?...when you can

GPD19 19.5" Height

CATALOG NUMBER	UPC/DCI/NAED MFG. #01 8997	COLOR	UNIT PKG	STD PKG
GPD19B	77020	Black	1	6
GPD19BR	77021	Bronze	1	6
GPD19G	77022	Green	1	6
GPD19W	77023	White	1	6

Includes: Gard-N-Post with built in weatherproof while-in-use cover, GFCI wall plate



CSA Listed with grounding lugs



Arlington

3-WIRE LANDSCAPING & PAGODA STYLE • SOLD SEPARATELY

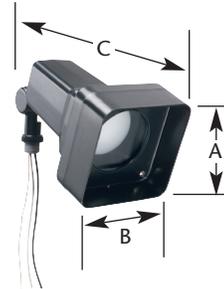
Decorative 3-wire type light fixtures

- Powder coated color match
- For heavy-duty commercial or residential use
- 1/2" NPT fixture
- Adds safety and security
- Perfect for illuminating signs, flagpoles, walkways, buildings, driveways, yards and recreational areas

Lamp Up to 75 watt, flood

CATALOG NUMBER	UPC/DCI/NAED MFG. #01 8997	COLOR	KO SIZE	DIM A	DIM B	DIM C	UNIT PKG	STD PKG
GPI75B	77042	Black	1/2"	4.062	4.062	8.135	1	4
GPI75BR	77043	Bronze	1/2"	4.062	4.062	8.135	1	4

Uses a 75 watt PAR 16 or a 50 watt PAR 20 halogen lamp. Lamp not included.



Pagoda-style, 3-wire type light fixture

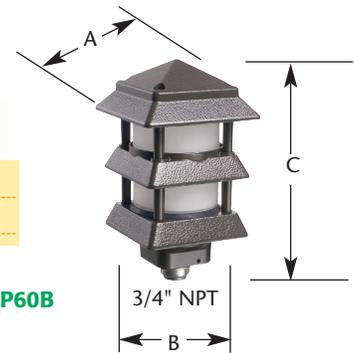
- Durable cast aluminum
- 3/4" NPT fixture
- Made for incandescent, halogen and energy-saving compact fluorescent lamps (Lamps not included)

Lamp Incandescent, halogen or compact fluorescent

CATALOG NUMBER	UPC/DCI/NAED MFG. #01 8997	COLOR	DIM A	DIM B	DIM C	UNIT PKG	STD PKG
GPP60B	77046	Black	4.750	4.750	8.750	1	4
GPP60BR	77047	Bronze	4.750	4.750	8.750	1	4

Uses a 40 watt halogen, 40 watt incandescent, or 13 watt fluorescent lamp. Lamp not included.

GPP60B

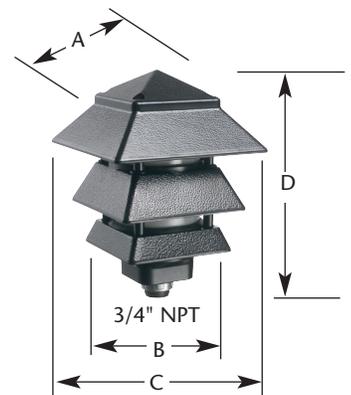


Lamp Incandescent, halogen or compact fluorescent

CATALOG NUMBER	UPC/DCI/NAED MFG. #01 8997	COLOR	DIM A	DIM B	DIM C	DIM D	UNIT PKG	STD PKG
GPP60LB	04605	Black	3.600	4.250	6.070	8.573	1	4
GPP60LBR	04606	Bronze	3.600	4.250	6.070	8.573	1	4

Uses a 40 watt halogen, 40 watt incandescent, or 13 watt fluorescent lamp. Lamp not included.

GPP60LB



Arlington

Patented/Other patents pending

Distributed by

1 Stauffer Industrial Park. Scranton, PA 18517

800.233.4717 • www.aifittings.com • EMAIL sales@aifittings.com