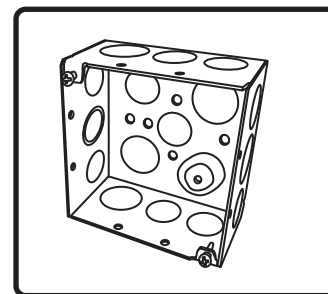
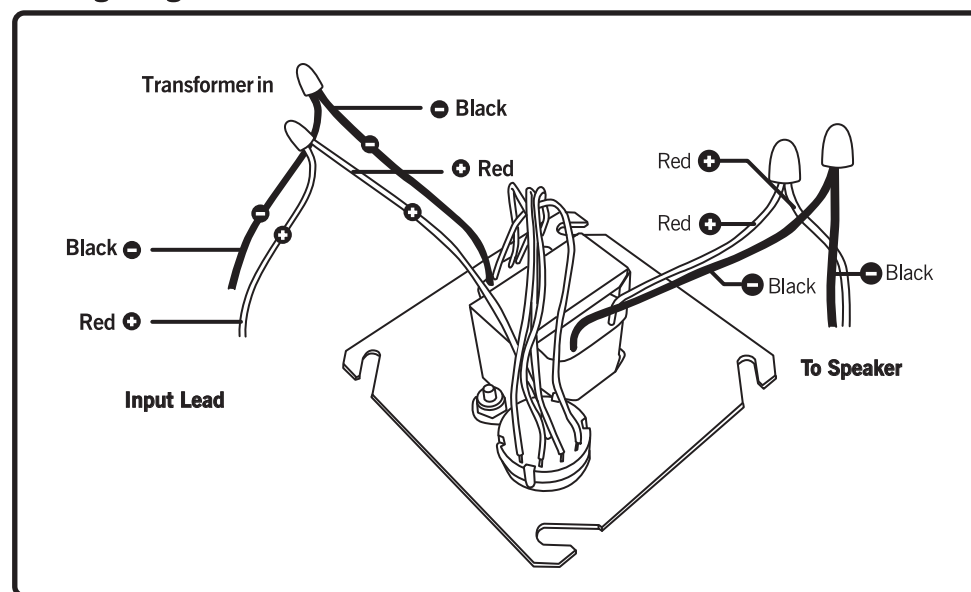


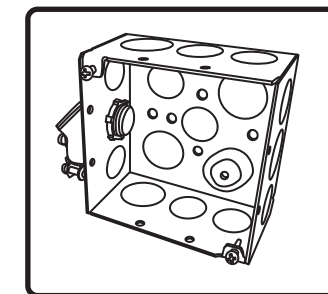
**Box contents**

- 1 J-box with transformer

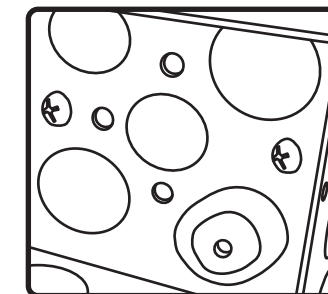
**Wiring Diagram**



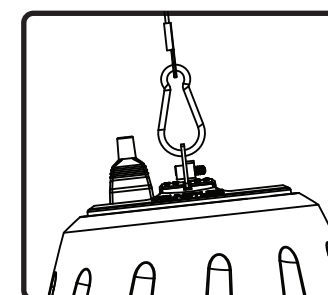
1. Remove faceplate from J-box.



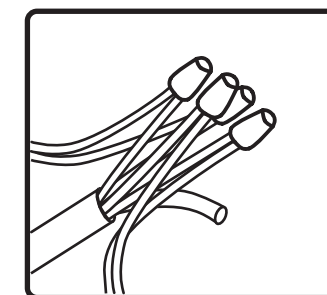
2. Remove desired knockout from side of J-box.



3. Attach the J-box to a secure mounting point (mounting screws not provided).



4. Mount speaker according to manufacturer's instructions.



5. Connect signal wire to audio source. See wire diagram on reverse side. Set switch to proper tap.