



NETWORK CAMERA

Quick Guide

QNV-C8013R/QNV-C8023R
QND-C8013R/QND-C8023R
QNO-C8013R/QNO-C8023R



Important

Please check 'Manuals' from our website, before connecting to the Supply,
<https://www.hanwhavision.com/en/download-data/>

Warranty

Please check "Product warranty information" from our website.
<https://www.hanwhavision.com/en/support/warranty/>

We recommend to use the officially compatible VMS version or latest Hanwha NVR version when integrating with VMS or Hanwha NVR.



Hanwha Vision cares for the environment at all product manufacturing stages, and is taking measures to provide customers with more environmentally friendly products.

The Eco mark represents Hanwha Vision's devotion to creating environmentally friendly products, and indicates that the product satisfies the EU RoHS Directive.



Correct Disposal of This Product (Waste Electrical & Electronic Equipment)

(Applicable in the European Union and other European countries with separate collection systems)

This marking on the product, accessories or literature indicates that the product and its electronic accessories (e.g. charger, headset, USB cable) should not be disposed of with other household waste at the end of their working life. To prevent possible harm to the environment or human health from uncontrolled waste disposal, please separate these items from other types of waste and recycle them responsibly to promote the sustainable reuse of material resources.

Household users should contact either the retailer where they purchased this product, or their local government office, for details of where and how they can take these items for environmentally safe recycling.

Business users should contact their supplier and check the terms and conditions of the purchase contract.

This product and its electronic accessories should not be mixed with other commercial wastes for disposal.



Correct disposal of batteries in this product

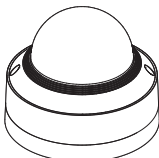



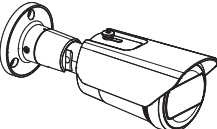

(Applicable in the European Union and other European countries with separate battery return systems.)

This marking on the battery, manual or packaging indicates that the batteries in this product should not be disposed of with other household waste at the end of their working life. Where marked, the chemical symbols Hg, Cd or Pb indicate that the battery contains mercury, cadmium or lead above the reference levels in EC Directive 2006/66. If batteries are not properly disposed of, these substances can cause harm to human health or the environment.

To protect natural resources and to promote material reuse, please separate batteries from other types of waste and recycle them through your local, free battery return system.

SAFETY INFORMATION

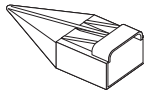
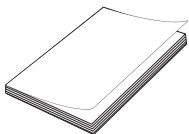
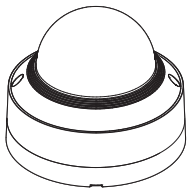


<p>Vandal Dome Camera QNV-C8013R/QNV-C8023R</p>  	<p>Dome Camera QND-C8013R/QND-C8023R</p>  	<p>Bullet Camera QNO-C8013R/QNO-C8023R</p>  
--	---	---

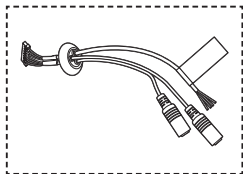
COMPONENT

As for each sales country, accessories are not the same.

- QNV-C8013R/QNV-C8023R



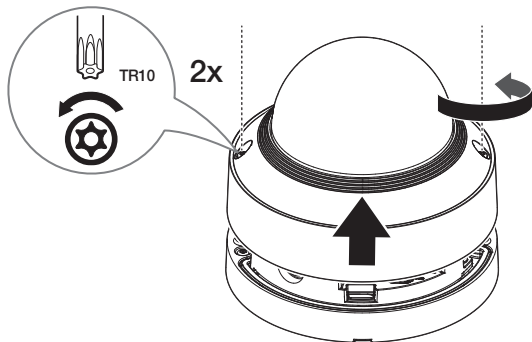
i Options (not included)



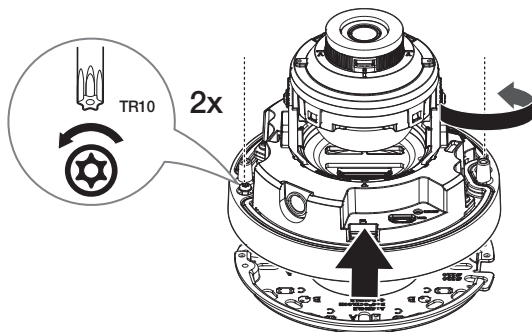
SPP-C7400

INSTALLATION

1



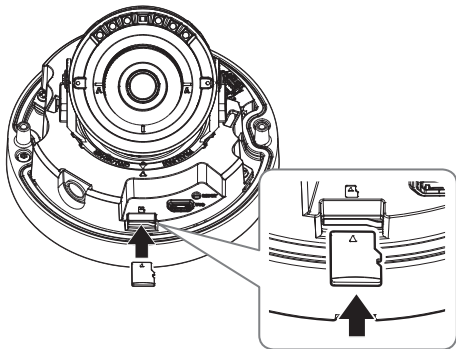
2



INSTALLATION

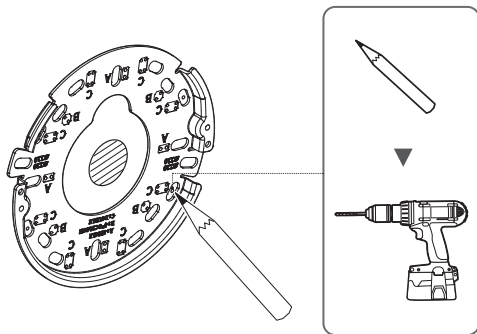
3

- Not Included : Micro SD Card



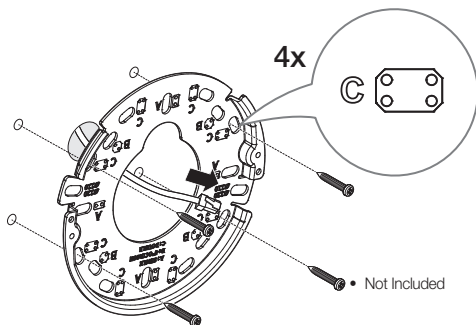
4

- Directly installing on wall/ceiling



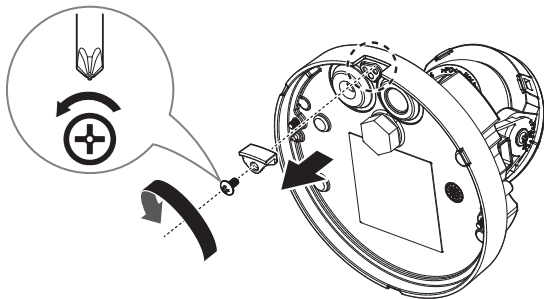
INSTALLATION

5



6

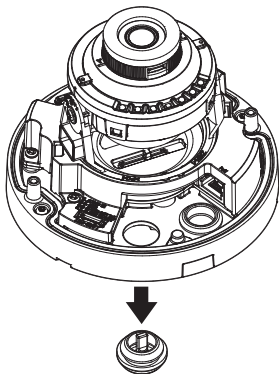
- When connecting the cable through the side



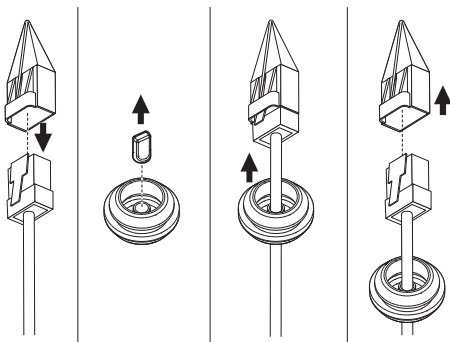
INSTALLATION

7-1

- Installing network cable (IP66)

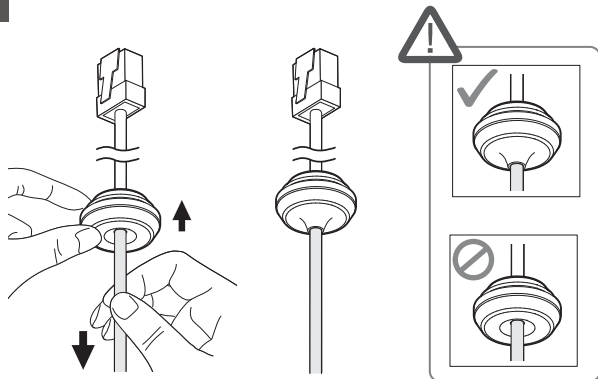


7-2

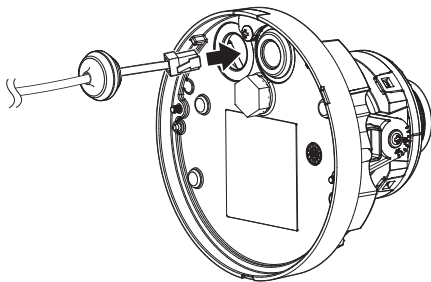


INSTALLATION

7-3



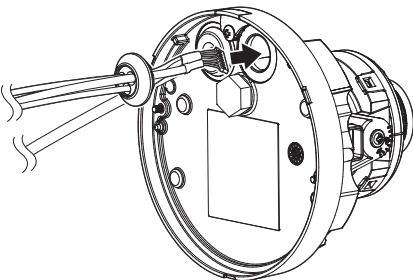
7-4



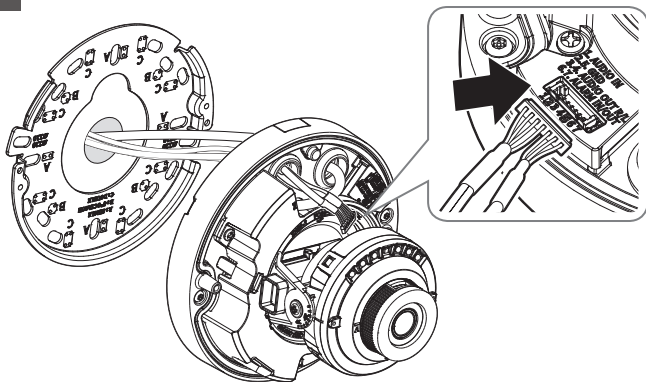
INSTALLATION

8-2

- Not Included

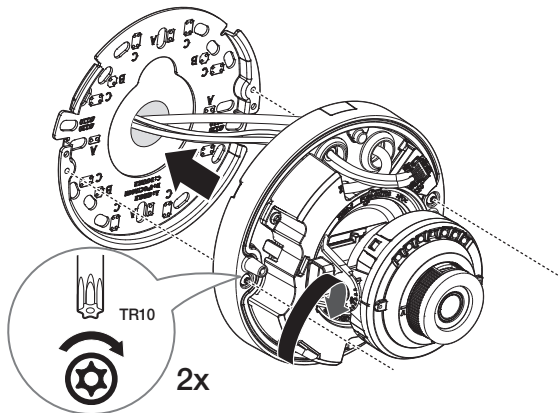


8-3



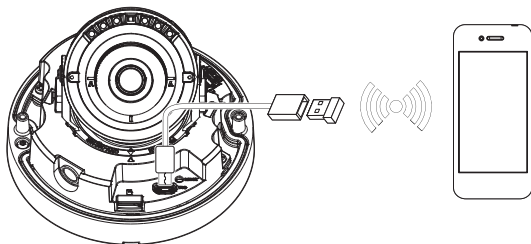
INSTALLATION

9



10

- Not Included : WiFi dongle, OTG adapter

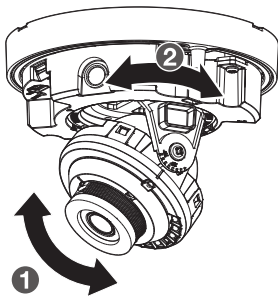
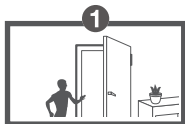




INSTALLATION



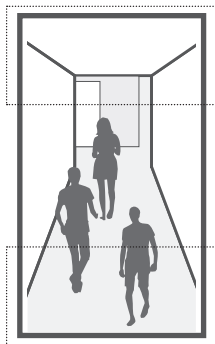
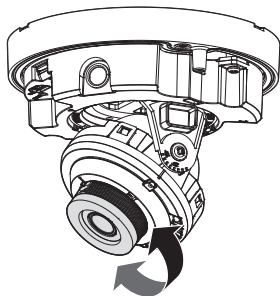
12



15

INSTALLATION

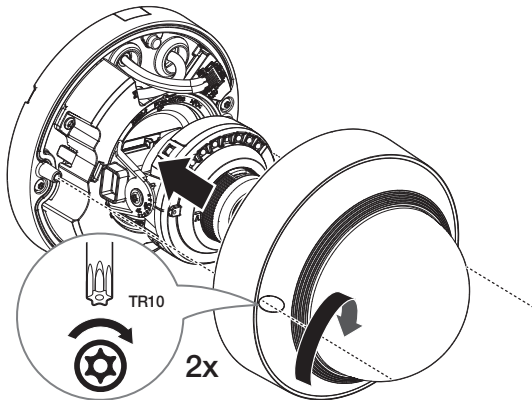
13



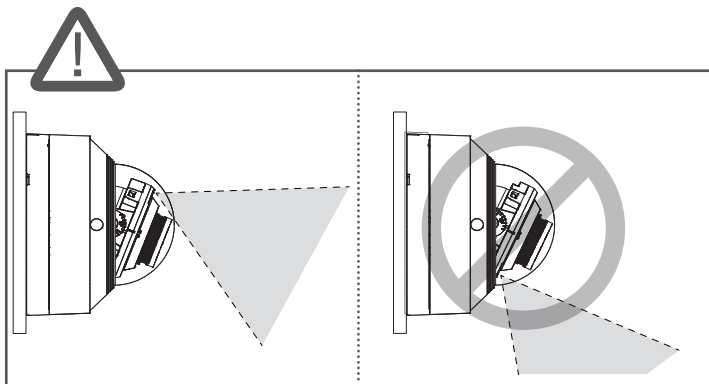
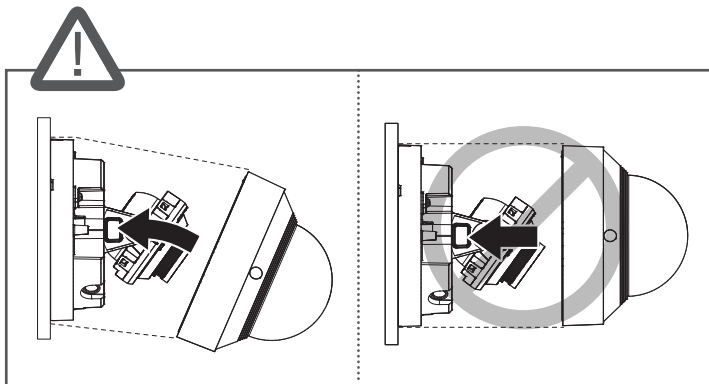
16

INSTALLATION

14

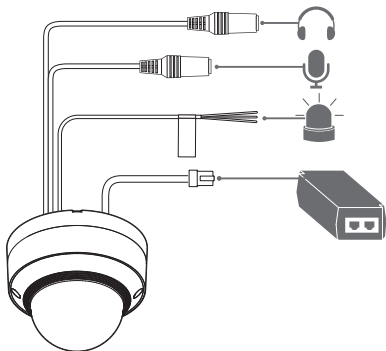


INSTALLATION

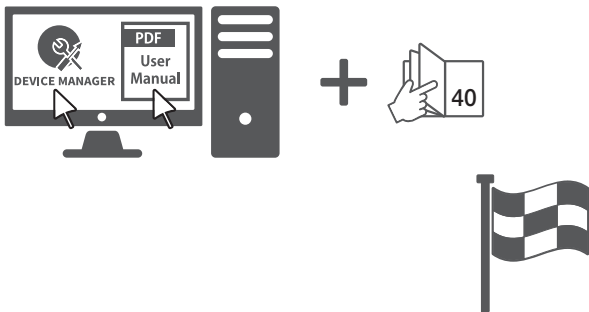


INSTALLATION

15



16

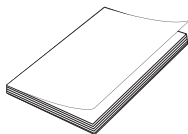
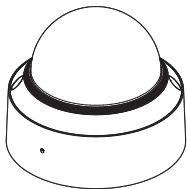


19

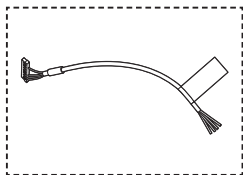
COMPONENT

As for each sales country, accessories are not the same.

- QND-C8013R/QND-C8023R



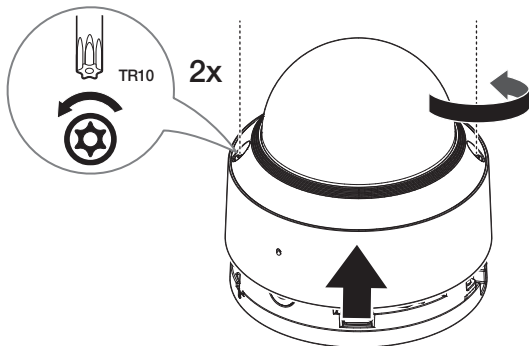
i Options (not included)



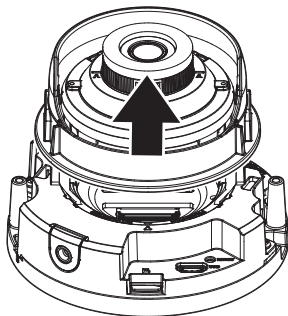
SPP-C7200

INSTALLATION

1



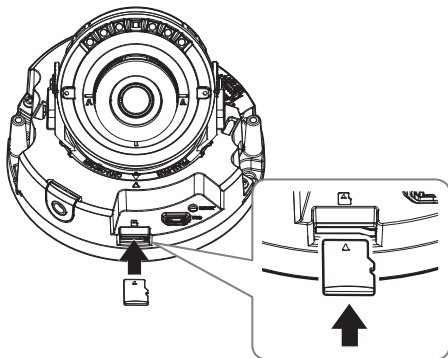
2



INSTALLATION

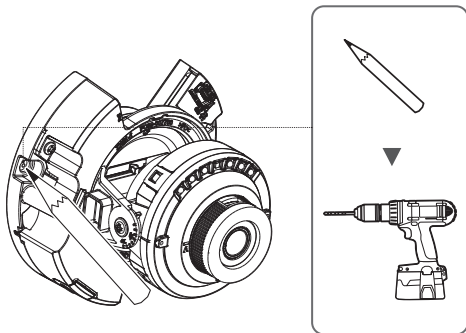
3

- Not Included : Micro SD Card



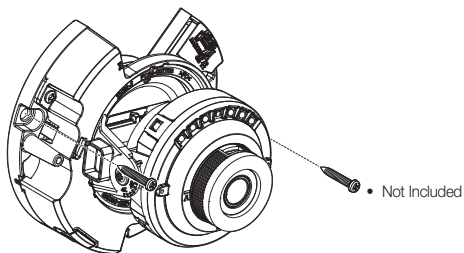
4

- Directly installing on wall/ceiling



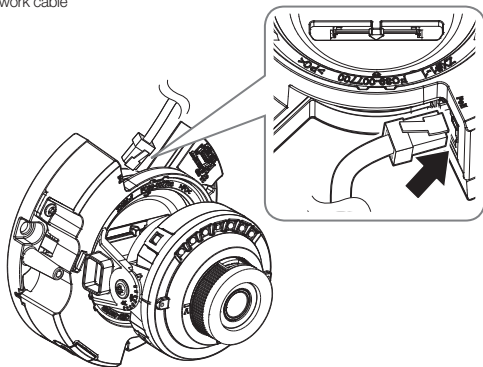
INSTALLATION

5



6

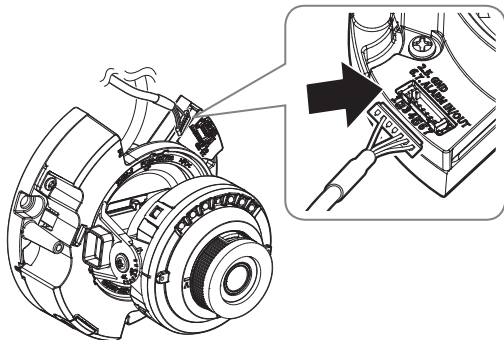
• Installing network cable



INSTALLATION

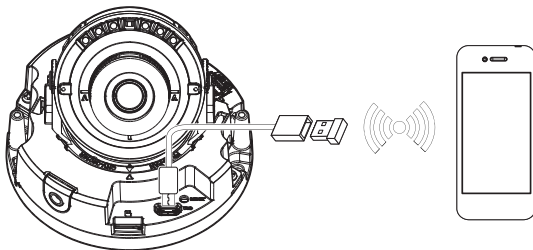
7

- Installing alarm cable



8

- Not Included : WiFi dongle, OTG adapter

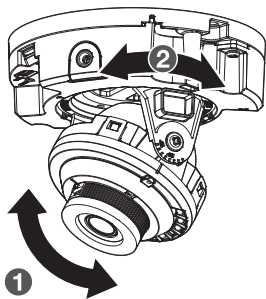


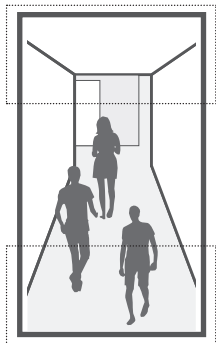
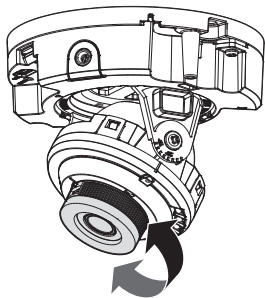


INSTALLATION



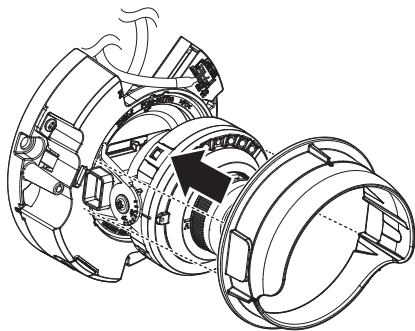
10



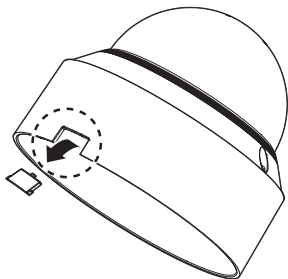


INSTALLATION

12

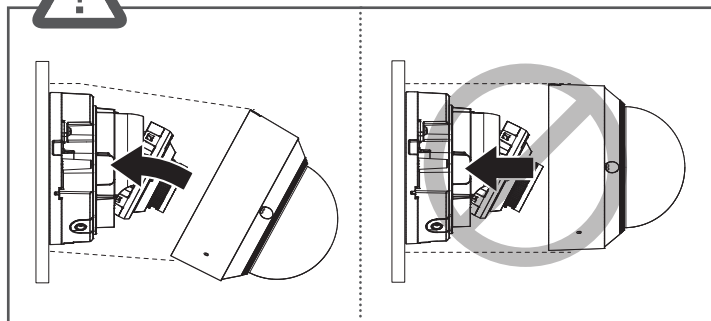
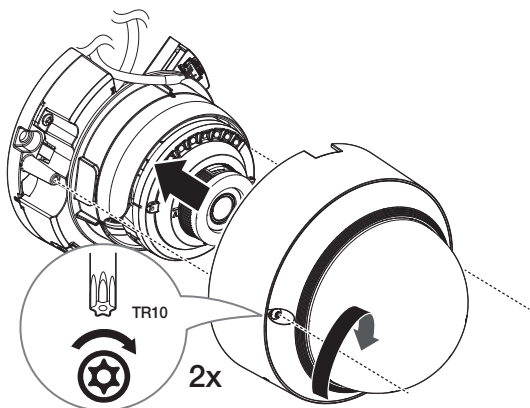


13

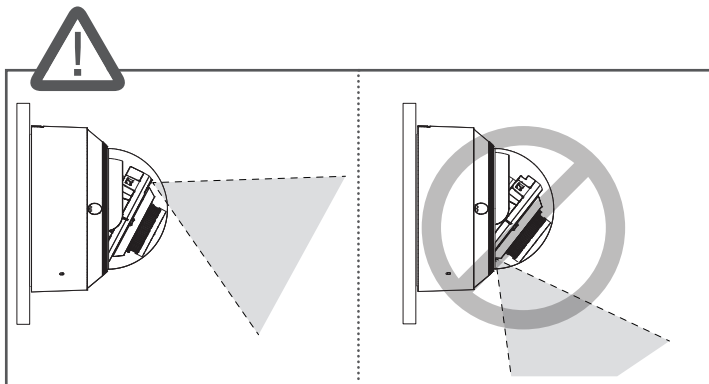


INSTALLATION

14

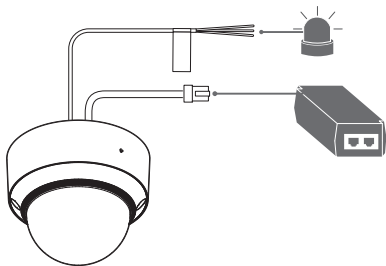


INSTALLATION

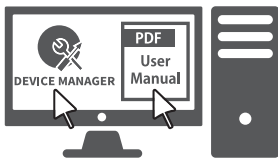


INSTALLATION

15



16



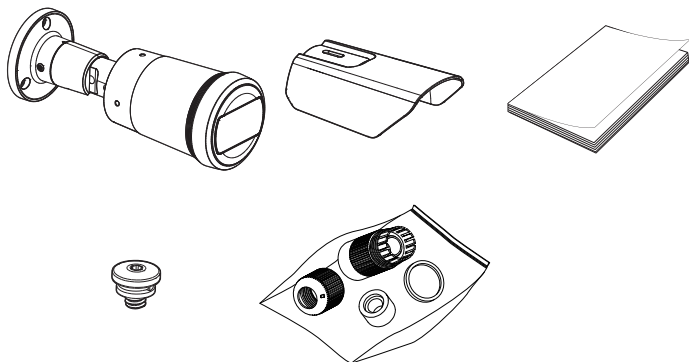
+



COMPONENT

As for each sales country, accessories are not the same.

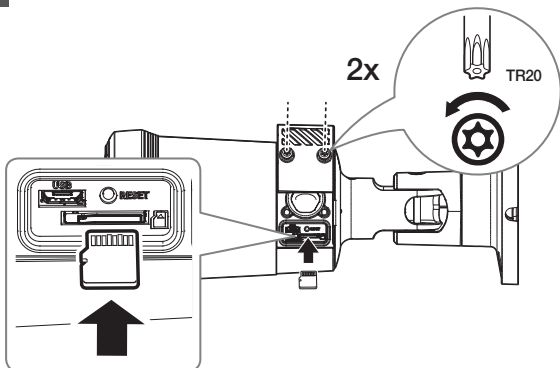
- QNO-C8013R/QNO-C8023R



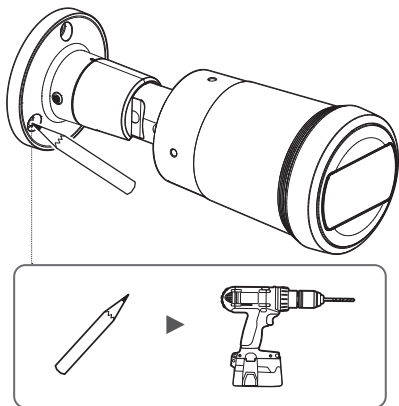
INSTALLATION

1

- Not Included : Micro SD Card



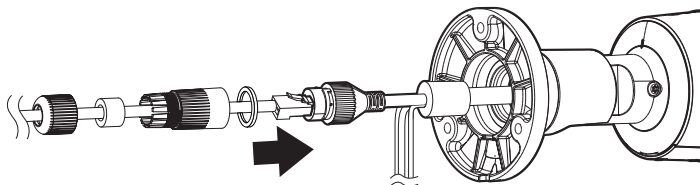
2



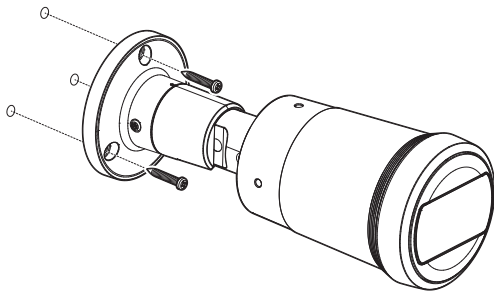
INSTALLATION

3

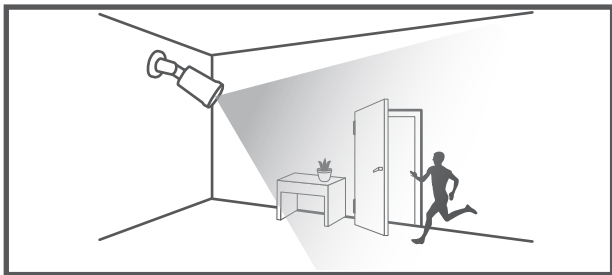
- Installing network cable (IP66)



4

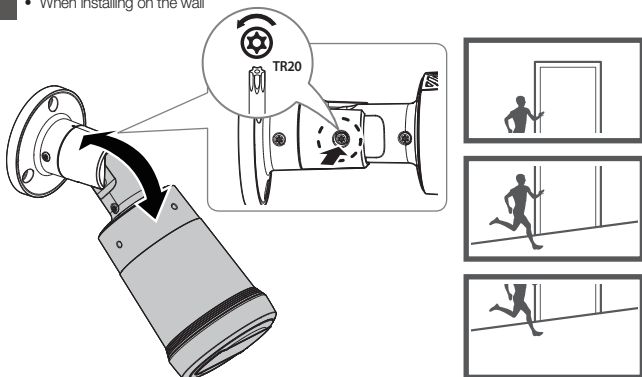


INSTALLATION



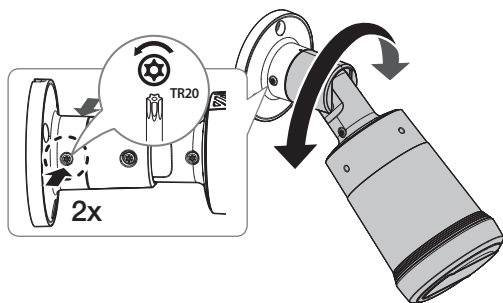
5-1

- When installing on the wall

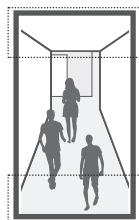
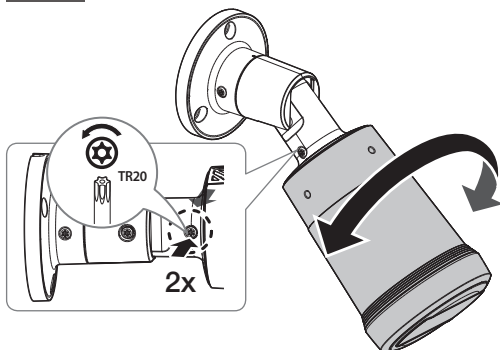


INSTALLATION

5-2

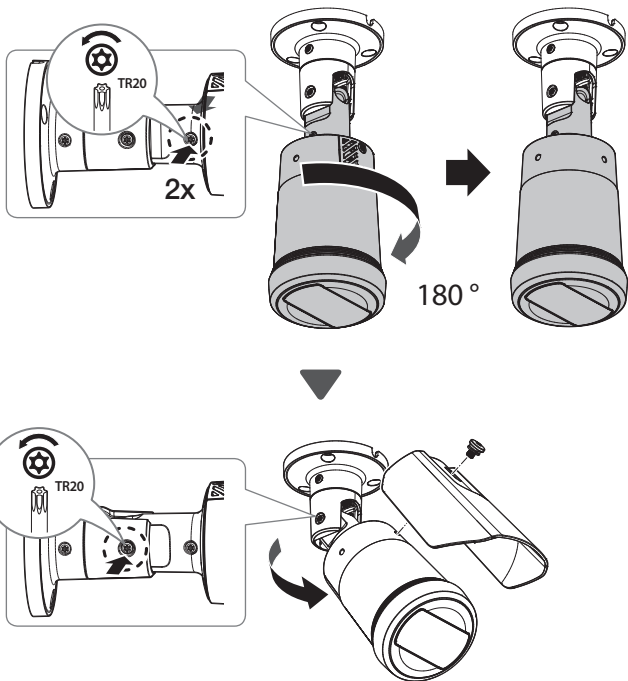


5-3



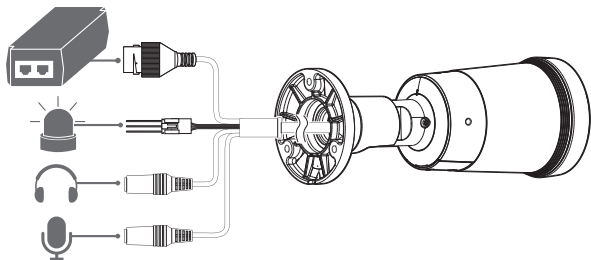
INSTALLATION

- When installing on the ceiling

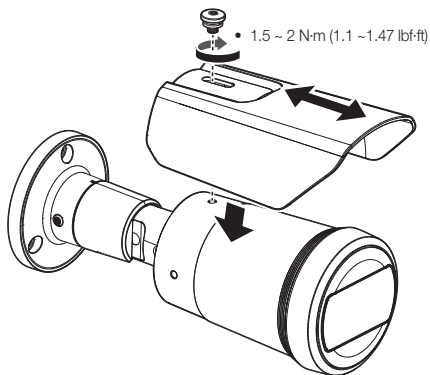


INSTALLATION

6

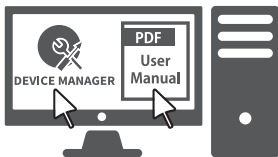


7



INSTALLATION

8



+



PASSWORD SETTING

When you access the product for the first time, you must register the login password.

Administrator password change

New password

Confirm new password

- If the password is 8 to 9 characters long, it must include at least 3 of the following character types: English uppercase letters, English lowercase letters, numbers, and special characters (support up to 64 characters)
- If the password is 10 characters or longer, it must include at least 2 of the following character types: English uppercase letters, English lowercase letters, numbers, and special characters.
- It may not be used as password. This password and ID cannot be identical.
- The following special characters can be used: ~!@#%&^*()_-=+{ }|'";: '< > . , ? /
- You may not use more than 4 consecutive characters. (example: 1234, abc, etc.)
- You may not use the same character 4 or more times consecutively. (example: 1111, aaaa, etc.)

Apply

- !
 - For a new password with 8 to 9 characters, you must use at least 3 of the following: uppercase/lowercase letters, numbers and special characters. For a password with 10 characters or longer, you must use at least 2 types of those mentioned. (support up to 64 characters)
 - Special characters that are allowed. :
~!@#%&^*()_-=+{ }|'";: '< > . , ? /
 - Space is not allowed for password.
 - For higher security, you are not recommended to repeat the same characters or consecutive keyboard inputs for your passwords.
 - Be sure to remember the password you set, as you will need to reset the product by pressing the [RESET] button if you lose your password.

LOGIN

Whenever you access the camera, the login window appears.

Enter the User ID and password to access the camera.

- 1 Enter "admin" in the <User Name> input box.
- 2 Enter the password in the <Password> input field.
- 3 Click [Sign in].

CONNECTING TO WIFI

Camera setting

- 1 Connect OTG adapter (5-pin) and Wi-Fi dongle to the micro USB terminal.

Smartphone setting

- 1 Install the Wisenet Installation application.
- 2 Select the camera SSID after turning on the WiFi.
- 3 Run the Wisenet Installation application.
- 4 When you log in to the camera, the video will be connected.
 - The video will be played without being logged in during the initial connection.
- 5 You can adjust angle of view while watching the video through smartphone.

HEVC Advance™

Covered by patents at patentlist.accessadvance.com



microSD, microSDHC, and microSDXC Logos are trademarks of SD-3C LLC. microSD, microSDHC, microSDXC are trademarks or registered trademarks of SD-3C, LLC in the United States, other countries or both.

EAC

Подлежит использованию по назначению
в нормальных условиях
Срок службы : 7 лет.

Türkiye Distribütörü

EDS Elektronik Destek Sanayi ve Ticaret Ltd. Şti.

Meclis Mah. Teraziler Cad. Hayran Sk. (Eskisi Kılıç Sk.) No: 4 Sancaktepe / İstanbul / Türkiye
Tel +90.216.313.25.15

ENTES ELEKTRONİK CİHAZLAR İMALAT VE TİC. A.Ş.

Dudullu Org.San.Bölg. 1. Cad. No:23 34776 Ümraniye / İstanbul / Türkiye
Tel +90.216.313.01.10

TEKNOMAKS TEKNOLOJİ / TEKNOMAKS BİLİSİM

MERDİVENKÖY MAH.DİKYOL SOK. BUSINESS İSTANBUL No:2, Kat:7, D:B67, 34732 Kadıköy / İstanbul / Türkiye
Tel +90.212.217.54.22

Cihazın Ticaret Bakanlığına önerilen ortalama ömrü

Cihazın EEE yönetmeliklerine uygun olduğuna benzer beyan

