

VZ-PSU4N-24

OUTPUT 24V DC / 100.8 W AC/DC POWER CONVERTER



VZ-PSU4N-24 ADVANTAGES

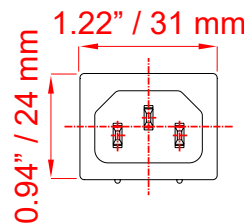
- AC Input - 100 ~ 240V, 50/60Hz
- DC Output - 24V ∴ 4.2 A / 100.8 W
- Green Power On LED
- Energy efficiency rating: VI
- Compact & Lightweight
- Safe & Reliable
- Complies with International Safety Standards & Environmental Protection Requirements
- Over Voltage / Overload / Over current / Short Circuit Protection
- Comply with Environmental Protection Requirements
- Wide Voltage Compatibility
- Long Product Life
- EMC meets EN 55032/ EN 55020 / EN 55024 standard
- Safety : UL, CCC, TUV/GS, PSE, C-Tick
- EMI : CE, FCC/cUL, CCC, PSE

MODEL #		VZ-PSU4N-24
FEATURES		
Input Voltage	100 ~ 240V AC (50/60Hz) / 3.0 A	
Output Voltage	24V DC	
Output Watt	100.8 W	
Output Current	4.2 A	
PROTECTION		
Short-Circuit Protection	The Power Supply will be auto recovered when short circuit faults remove	
Over-Current Protection	The power supply will auto protected when output current over rated current 2.2-8A at 110-230V AC	
DIMENSIONS & WEIGHT		
Dimensions (Width x Length x Height) inch	2.59 x 6.42" x 1.25"	
(Width x Length x Height) mm	65.9 mm x 163.2 mm x 31.8 mm	
Weight	0.99 + 0.04 lbs / 0.450 ± 0.02 kg	
INTERFACE		
Input Plug Type	IEC 721-3-2 2M2 - C14 AC PIN	
Output Cord	WIRE: 18AWG / 1500 ± 50 mm PLUG: JACK PLUG 5.5*2.5*10.5mm	
GENERAL		
Construction	PC, ABS, or equivalent	
Regulations	SAFETY STANDARDS UL60950, GB4943, IEC60950, EN60950, CE (EN60950)	
	EMC STANDARDS EN55032+55020+55024	
Operating Temperature	32°F ~ 95°F / 0°C ~ +35°C (5~90%R.H)	
Operating Humidity	5% ~ 90% RH. Non-condensing	
Storage Temperature	14°F ~ 131°F / -10°C ~ +55°C (5~90%R.H)	
Cable	AWM Style 1185 - 18 AWG/1C + SH	
Cooling	Cooling shall be with natural convection cooling	

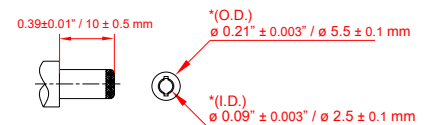
Designed specifically for

VZ-43CMP Rev A

FEATURES



INPUT
IEC721-3-2 C14 AC PIN
100 ~ 240 VAC



OUTPUT
DC MATE PLUG
24V / 4.2 A

PRECAUTIONS



Risk of electric shock. Do not open the body.

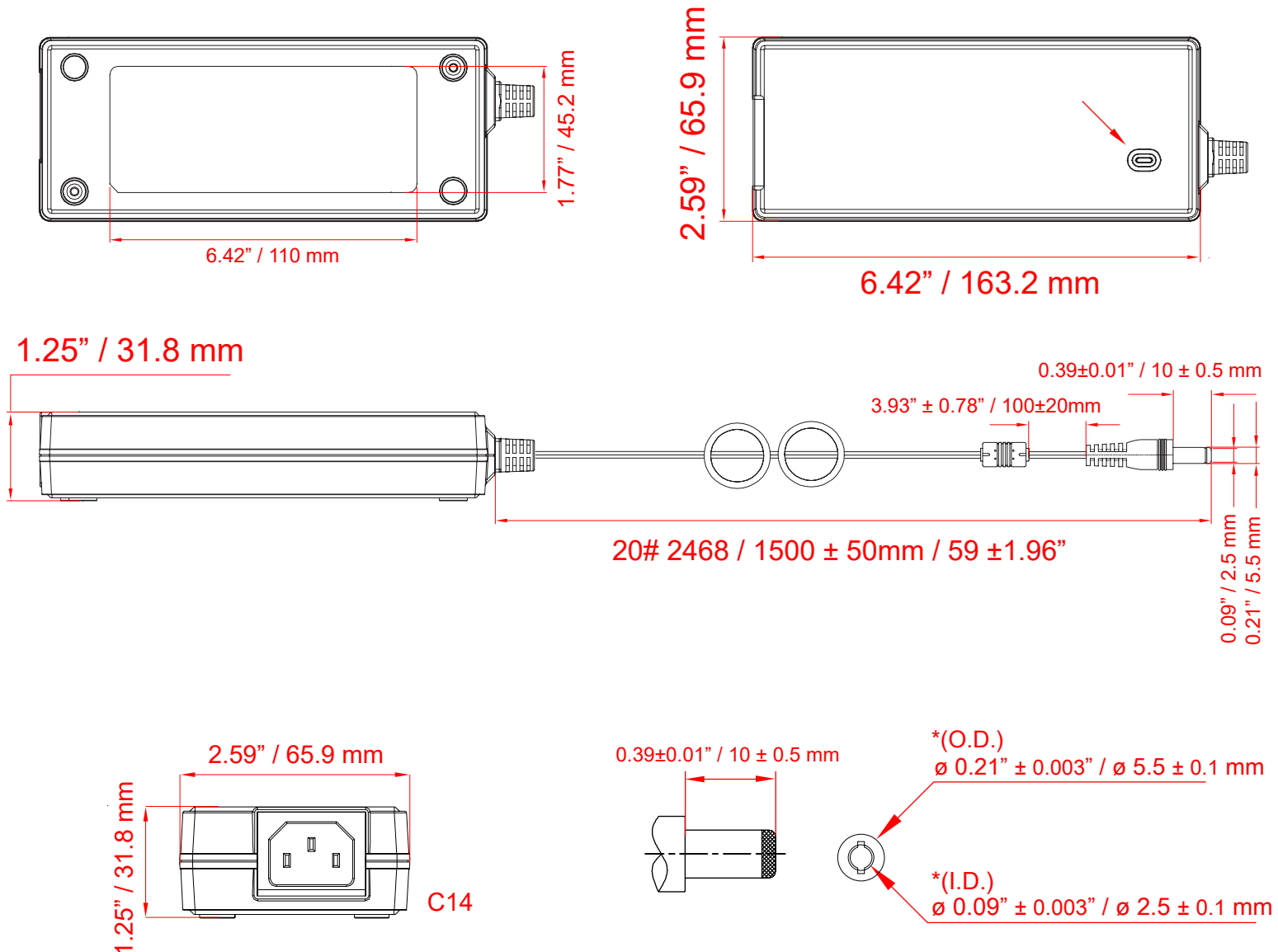
Contact ViewZ

- Address : 1030 N ARMANDO ST., ANAHEIM, CA 92806
- Phone : (714) 996-1177, Fax : (714) 996-1138
- Sales : sales@viewzusa.com

VZ-PSU4N-24

OUTPUT 24V DC / 100.8 W AC/DC POWER CONVERTER

DIMENSIONS



Contact ViewZ

- Address : 1030 N ARMANDO ST., ANAHEIM, CA 92806
- Phone : (714) 996-1177, Fax : (714) 996-1138
- Sales : sales@viewzusa.com