

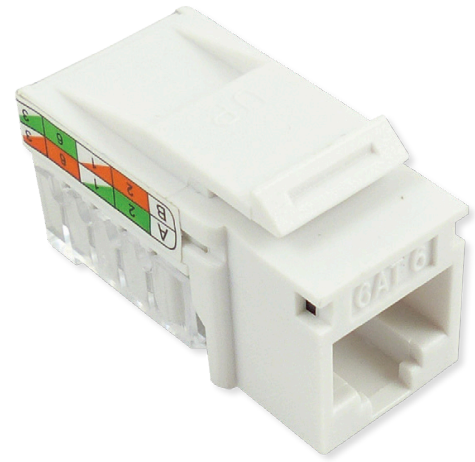
180° & 90° UTP Keystones

The Primex Cat6 110 IDC RJ45 jacks fit in standard wall plates and provide easy high-speed data connectivity.

Available in either 90° and 180° configurations, these UTP keystones are UL-Listed and offer dual 568A/B wiring labels for easy identification and termination.

Cat6 Keystones provide 1Gbps and 250MHz bandwidth, ideal for residential and commercial applications requiring Gigabit connectivity.

Available in multiple colors for easy identification, these keystones pair well with Primex wall plates or in Primex patch panels.



Features & Benefits

- 110 Universal IDC industry-standardized for wall plate compatibility
- Includes dust cover for socket protection and aesthetically clean finish
- Pairs with Primex wall plates in 1-4 port configurations
- White keystones available in bulk 25 and 100 quantities
- Available in variety of colors for quick identification, including: white, blue, black, red, and yellow
- 568A/B color-coded label for easy wire identification
- UL/cUL-listed

Dimensions

SIZE Cat6 90°: H 1.33" / W 0.57" / D 0.63"

SIZE Cat6 180°: H 1.21" / W 0.57" / D 0.63"



90° & 180° options



Faceplate and keystones sold separately

Attributes

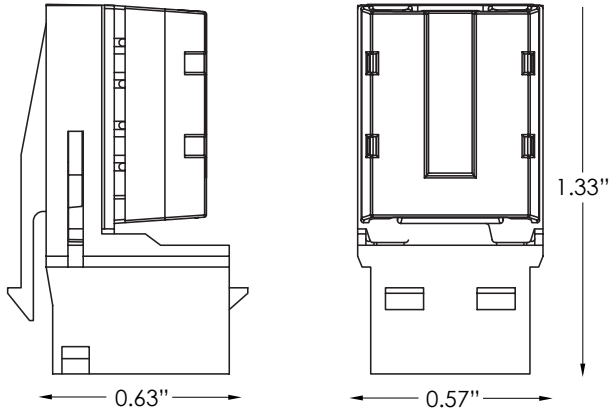
Material	High-impact fire-retardant plastic UL94 V-0
Construction	Spring wire: phosphor bronze alloy plated with 50 micro-inch of gold over 100 micro-inches of nickel
Standards	ANSI/TIA/zEIA-568.2D ISO/IEC 11801 2nd edition EN50173: 2007 IEC 60603-7-51
Term. Front Connection Durability	+750 cycles

Attributes

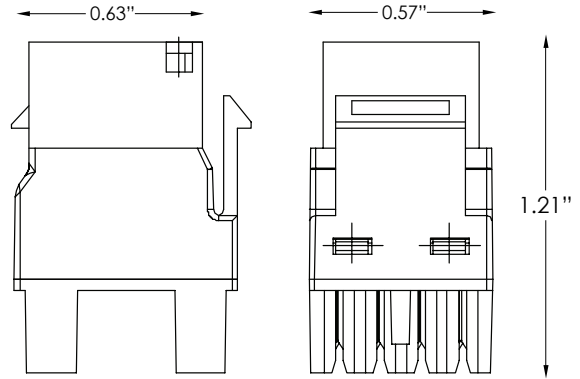
Envir. Operating Temp Range	-10°C to +60°C
PoE Performance	IEEE 802.3bt Type 4 PoE (90-watt) applications 10GBase-T
Label	T568A/T568B wiring label
UL/cUL Listed	Yes



180° & 90° UTP Keystones



Cat6 90° Keystone



Cat6 180° Keystone

Ordering Information

P/N	Model	Description
180° Jacks		
125-0946-WT	JCat6-180-WT	Cat6 110 IDC RJ45 Jack, 180° HD (White)
125-0946-WT-25	JCat6-180-B25-WT	Cat6 110 IDC RJ45 Jack, 180° (White) Bulk 25
125-0946-WT-100	JCat6-180-B100-WT	Cat6 110 IDC RJ45 Jack, 180° (White) Bulk 100
125-0946-BL	JCat6-180-BL	Cat6 110 IDC RJ45 Jack, 180° HD (Blue)
125-0946-BK	JCat6-180-BK	Cat6 110 IDC RJ45 Jack, 180° HD (Black)
125-0946-RD	JCat6-180-RD	Cat6 110 IDC RJ45 Jack, 180° HD (Red)
125-0946-YL	JCat6-180-YL	Cat6 110 IDC RJ45 Jack, 180° HD (Yellow)
90° Jack		
125-0947-WT	JCat6-90	Cat6 110 IDC RJ45 Jack, 90° HD (White)
Crimping Tools		
125-1402	EHT040	Crimping Tool - 180 degree
125-1447	EHT030	Crimping Tool - 90 degree