

Special Purpose Pull Apart Switch Set



WWW.GRISK.COM

4704 / 4714 Series

- ◆ Pull apart surface mount reed switch
 - ◆ Great for marinas, truck docks as well as portable merchandise
 - ◆ Heavy duty 4714 series for improved durability
- ◆ Standard 36" jacketed or armored cable
 - ◆ Custom lead lengths are available upon request
 - ◆ Available with PVC coated stainless steel cable
 - ◆ Armored disconnect cable available, see GRI catalog under Specialty Section
- ◆ Supervisory loops available upon request
 - ◆ Available in gray
 - ◆ Lifetime Warranty



4704-A



4714-A



4714-JC

Part Numbers

Jacketed Cable	4704 4714
Jacketed Cable with chain	4714-JC
Armored Cable	4704-A 4714-A

GEORGE RISK INDUSTRIES, INC.
G.R.I. PLAZA
KIMBALL, NE 69145

WWW.GRISK.COM



95

1-800-445-5218
1-800-523-1227
(308) 235-4645
FAX (308) 235-3561
E-MAIL: sales@grisk.com

Special Purpose Pull Apart Switch Set



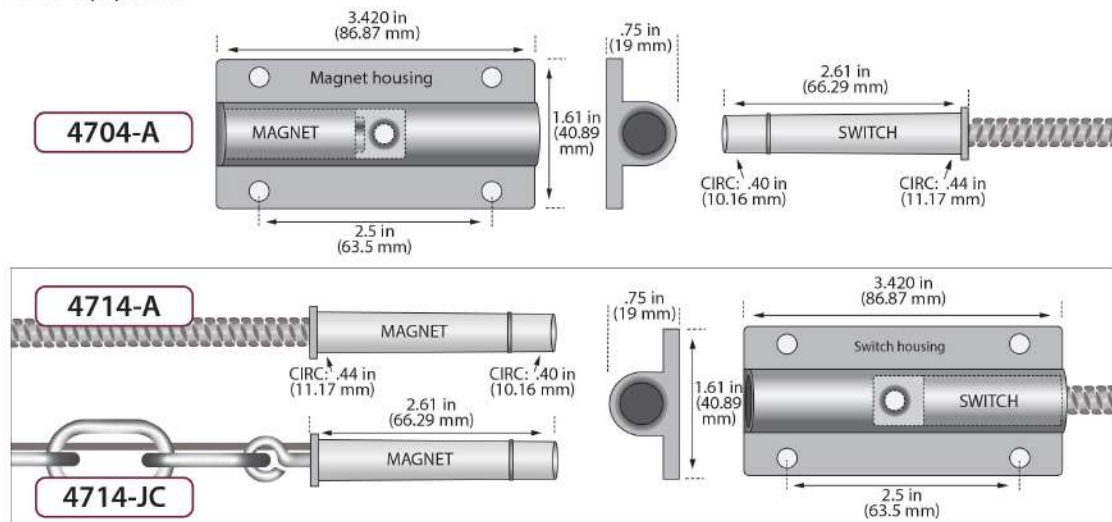
WWW.GRISK.COM

INSTALLATION APPLICATIONS

The 4704/4714 series was designed for problem security applications where the free movement of an object would make it impossible to utilize a standard magnetic proximity device. The 4704-A consists of three major parts, an actuating magnet housing, the switch probe and the probe receptacle. The 4704-A can be used in place of standard surface mount switches to protect badly worn or ill fitting roll up doors, swinging gates or expanding metal curtains. Also excellent for vehicle protection to prevent unauthorized movement, operation or theft of any mobile object that can be towed, driven or otherwise moved such as tractor truck trailers, motor boats or recreational vehicles.

The 4714 series heavy duty pull apart switch has the same features and options as the 4704, however the switch has been moved into the mounted side of the unit, improving durability. The actuation magnet is now in the probe along with a supervisory loop. The supervisory loop, consisting of 2 conductor wire, is placed through 1/4" armored cable or woven through links of a 3/16" chain. Both options available with custom lead and supervisory loop lengths.

The 4704/4714 series is designed to protect equipment, merchandise or objects where it is impossible to secure utilizing conventional devices. Possible examples are golf carts, tires, lawn equipment, motorcycles and ATVs and rental equipment.



GRI PRODUCTS MEET OR EXCEED THESE MINIMUM GENERAL SPECIFICATIONS:

Part Number	Loop Type	Electrical Configuration	Reed Form	Max. Initial Contact Resistance (Ω)	Max. Contact Rating (W)	Max. Switching Voltage (VDC)	Max. Switching Current (A)
4704	Open/Closed	SPDT	C	.140	5	175	.250
4704-A	Open/Closed	SPDT	C	.140	5	175	.250
4714	Open/Closed	SPDT	C	.140	5	175	.250
4714-A	Open/Closed	SPDT	C	.140	5	175	.250
4714-JC	Open/Closed	SPDT	C	.140	5	175	.250

WARRANTY: Lifetime warranty against workmanship, material and factory defects.

GEORGE RISK INDUSTRIES, INC.
G.R.I. PLAZA
KIMBALL, NE 69145

WWW.GRISK.COM



1-800-445-5218
1-800-523-1227
(308) 235-4645
FAX (308) 235-3561
E-MAIL: sales@grisk.com