



## DESCRIPTION

The IXGS-TE is a kit for multi-tenant applications that allows visitors to call telephone numbers or mobile apps using the entrance station. The kit includes an IXG-DM7-HIDA entrance station, an IXGW-TGW gateway adaptor, and an IXG-DM7-BOX flush-mount box. The kit offers a complete telephone and mobile app entry solution. Additional IX or IXG Series stations can be added as needed.

If the IXG-DM7-HIDA needs to be surface mounted, an SBX-IXGDM7 surface-mount box can be purchased separately.

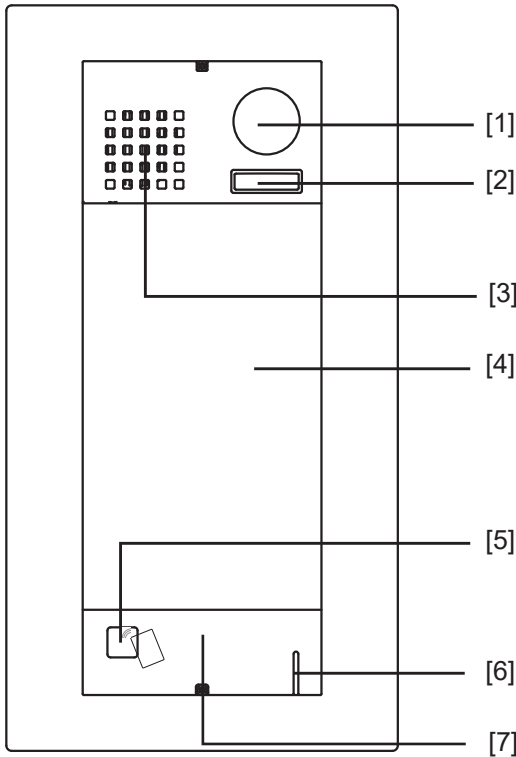
## FEATURES

- Entrance station can call to a telephone number, mobile apps, or both
- Customizable touchscreen entrance station
- Supports up to 9,999 IXG mobile apps
- 4G LTE data connection
- Expandable with more IX or IXG Series stations
- Configure through remote management on AiphoneCloud or IXG Support Tool

# IXGS-TE

## IXG Series Telephone and App Entry Kit

### IXG-DM7-HIDA FEATURE CALL-OUT



### FEATURE CALL-OUT DEFINITIONS

- [1] Camera
- [2] White LED
- [3] Speaker
- [4] LCD Touchscreen
- [5] Sensor
- [6] Microphone
- [7] HID® card reader

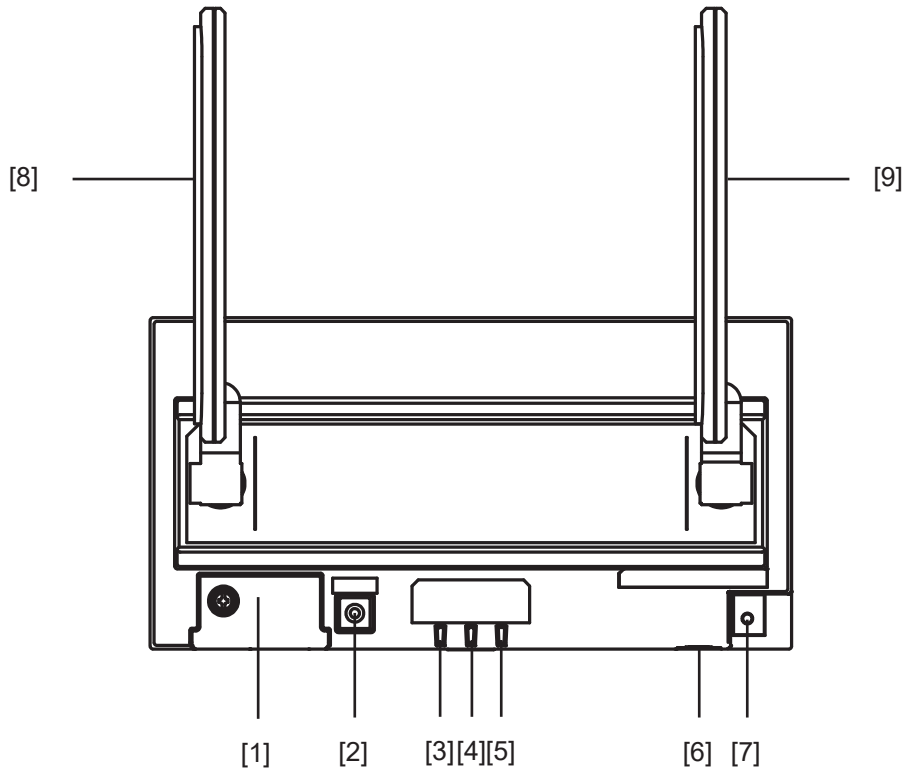
### SPECIFICATIONS

<b>Power Source:</b>	PoE
<b>Consumption:</b>	4.2W standby, 12.7W max
<b>Screen:</b>	7" TFT display
<b>Monitor Resolution:</b>	800 x 400
<b>Communication:</b>	Full-duplex
<b>Audio Codec:</b>	G.711 (μ-law, A law)
<b>Video Codec:</b>	H.264
<b>Protocols:</b>	IPv4, IPv6, TCP, UDP, SIP, HTTP, HTTPS, RTSP, RTP, RTCP, IGMP, MLD, SMTP, SFTP, DHCP, NTP, DNS, TLS
<b>Port Security:</b>	IEEE 802.1X
<b>Operation Temp:</b>	-22°~140°F (-30°~60°C)
<b>Dimensions:</b>	13-11/16" H x 7-3/16" W x 2" D
<b>HID Reader</b>	
<b>Card Types:</b>	<b>High Frequency (13.56MHz)</b> HID iClass, SEOS, HID iClass SR, HID iClass SE <b>Low Frequency (125kHz)</b> HID Proximity, Indala Proximity
<b>Card Format:</b>	H10301 (26-bit Wiegand) H10302/H10304 (37-bit Wiegand) Aiphone 40-bit 35bit/48bit Corporate 1000

# IXGS-TE

## IXG Series Telephone and App Entry Kit

### IXGW-TGW CALL-OUT



### FEATURE CALL-OUT DEFINITIONS

- [1] Nano SIM card slot
- [2] Reset button
- [3] Signal strength indicator (green)
- [4] Wireless indicator (green)
- [5] Status indicator (orange/green)
- [6] LAN port
- [7] Wireless off button
- [8] Left antenna
- [9] Right antenna

### SPECIFICATIONS

<b>Power Source:</b>	PoE
<b>Consumption:</b>	2.8W standby, 5.8W max
<b>LAN:</b>	Ethernet (10BASE-T, 100BASE-TX)
<b>Wireless Network:</b>	LTE, WCDMA
<b>Included SIM card:</b>	AT&T™ nano SIM
<b>Packet delivery:</b>	Unicast, Multicast
<b>Protocol:</b>	IPv4/v6, TCP, UDP, SIP, HTTPS, RTP, RTCP, SRTP, SRTCP, IGMP, MLD, SFTP, DHCP, NTP, DNS, MQTT, ICE, DTLS, SDP
<b>Channels:</b>	Intercom: 8 Phone: 1
<b>Encryption:</b>	TLS 1.2, IEEE802.1X
<b>Operating Temp:</b>	14° ~ 122°F (-10° ~ 50°C)
<b>Dimensions (main):</b>	4-1/4" H x 8-1/4" W x 2-3/8" D
<b>Antenna Length:</b>	5-9/16"