

# INSTALLATION INSTRUCTIONS

## 351 EHTD Electromechanical Closer-Holder Device – DOUBLE EGRESS

CAUTION: FAILURE TO INSTALL OR ADJUST PROPERLY MAY RESULT IN INJURY OR DAMAGE.  
For assistance contact SARGENT at 800-810-WIRE (9473) or www.sargentlock.com

# SARGENT®

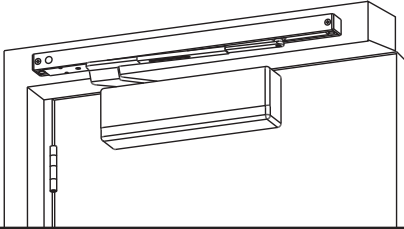
# ASSA ABLOY

**NOTE: AN AUXILIARY DOOR STOP IS REQUIRED AT HOLD OPEN**

### ⚠ CAUTION:

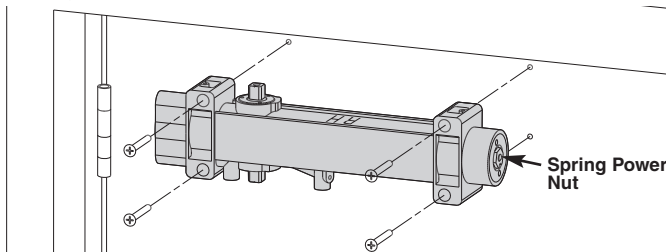
1. DISCONNECT ALL POWER BEFORE INSTALLATION
2. ALL WIRING TO BE PERFORMED BY QUALIFIED PERSONNEL TO COMPLY WITH ALL APPLICABLE LOCAL CODES.
3. MAXIMUM WIRE SIZE IS 18 AWG.

Right Hand  
Shown



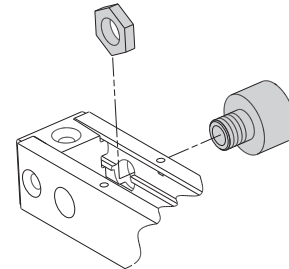
- 1 Use template from page 3; drill and tap door and frame for 12-24 machine screws and prepare hole for conduit. **Do not drill through channel, as damage will occur voiding warranty.**

- 2 Install closer body to door with spring power nut away from hinge.

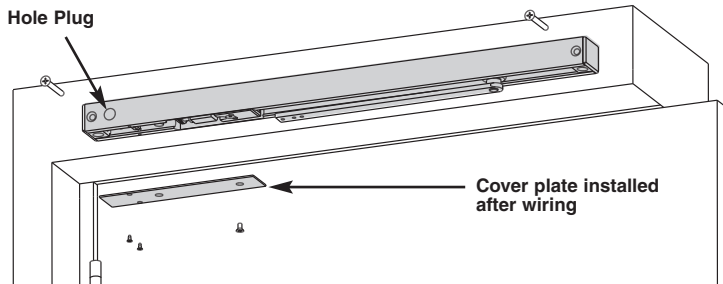


**351 closers are non-handed, RH must be on top for right hand doors and LH must be on top for left hand doors.**

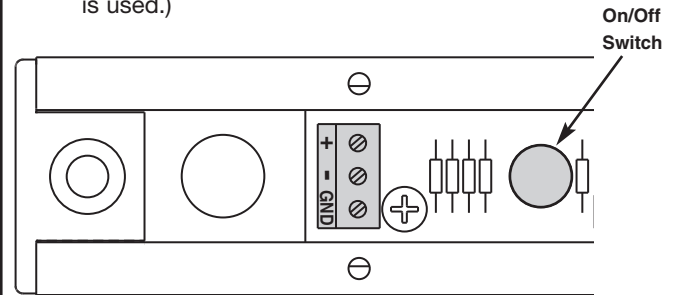
- 3 Attach conduit adapter to track with nut provided. Secure cable or conduit (by others) per local codes.



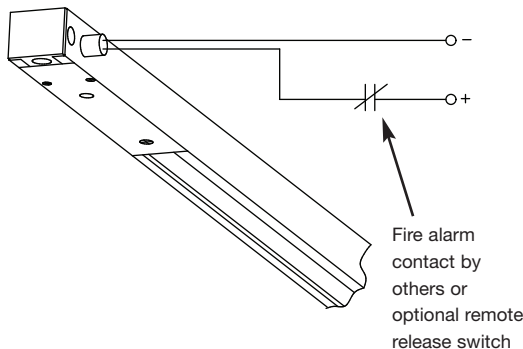
- 4 Secure track to frame with electronics toward hinge with screws provided. Install hole plugs into exposed holes in track.



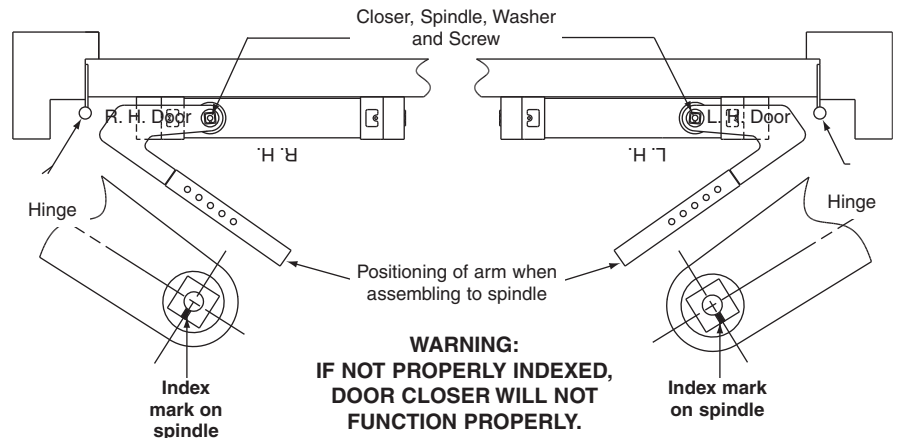
- 5 Connect 24VDC/VAC to terminal block marked "+", "-", and "GND" (if applicable). (NOTE: GND used if AC is used.)



- 6 Wire through fire alarm contact OR optional "Remote Release" switch if used.



- 7 Use screw and washer to secure main arm to spindle with index mark as shown.



ASSA ABLOY, the global leader  
in door opening solutions

Copyright © 2009, Sargent Manufacturing Company, an ASSA ABLOY Group company. All rights reserved. Reproduction in whole or in part without the express written permission of Sargent Manufacturing Company is prohibited.

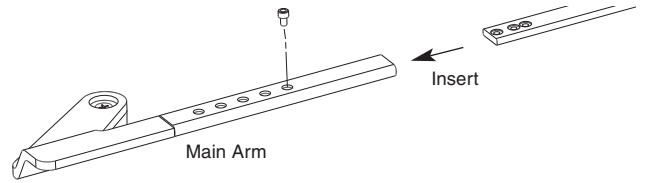
A7654A

1

8

**Adjust hold open angle by adjusting arm length:**

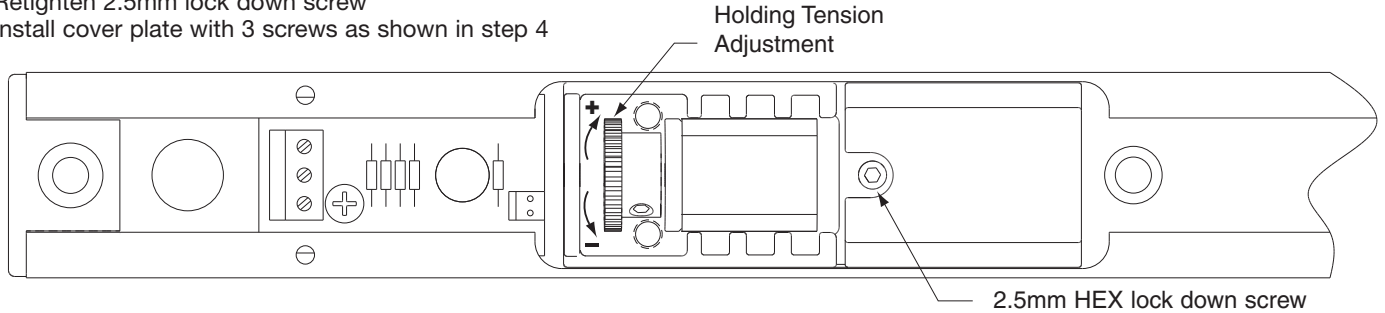
Range of 85° to 110° is obtainable. Open door and slide insert into main arm for desired hold open. Secure arms with 9/64" hex screw.



**Final Adjustment and Regulating Procedures**

**To adjust holding tension:**

- Loosen 2.5mm lock down screw
- Turn knob for desired tension
- Retighten 2.5mm lock down screw
- Install cover plate with 3 screws as shown in step 4



**Closing and latching speeds:**

Turn valves clockwise to slow down or counterclockwise to speed up door movement.

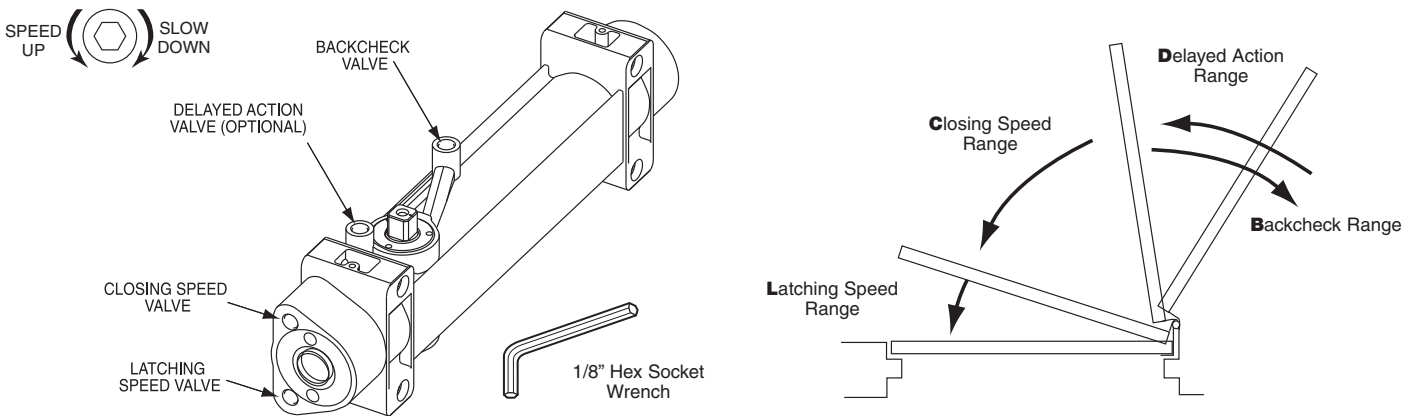
**Backcheck:**

Turn valve clockwise to increase or counterclockwise to decrease.

**CAUTION: SET VALVE FOR SLIGHT CUSHIONING EFFECT; CLOSER CAN BE DAMAGED IF THE CHECKING ACTION IS TOO ABRUPT. NEVER USE THE BACKCHECK AS A DOOR STOP. ALWAYS USE A DOOR STOP TO STOP THE DOOR.**

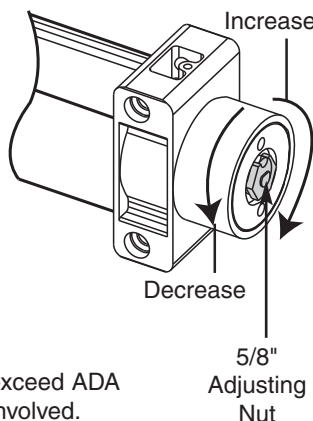
**Delayed action feature (optional feature):**

When provided, turn valve clockwise to slow down or counterclockwise to speed up door movement.

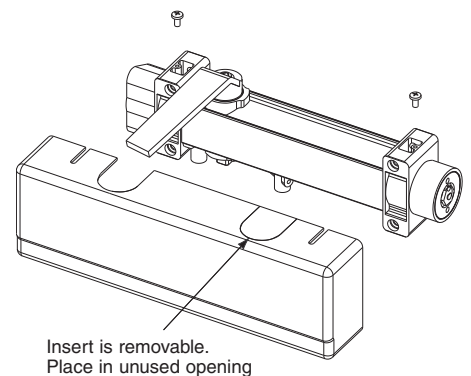


**Adjust power to allow door to close and latch.**

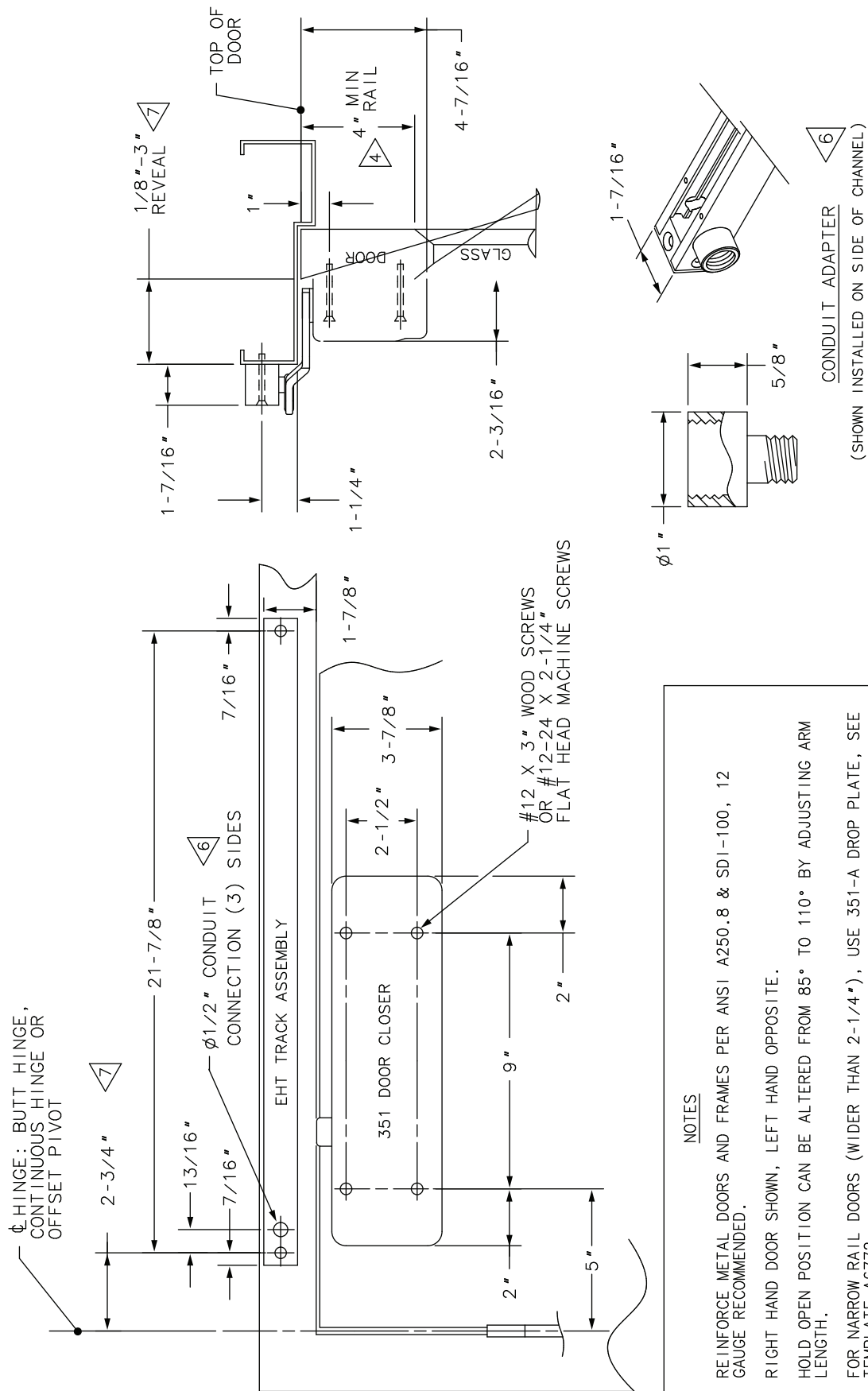
NUMBER OF TURNS OF SPRING POWER ADJUSTING NUT		
Door Width (Inches)	Exterior Doors	Interior Doors
24-30	TURN nut 1-3 ↶	TURN nut 1-3 ↶
30-36	FACTORY SET	FACTORY SET
36-42	TURN nut 1-4 ↷	TURN nut 1-3 ↷
42-48	TURN nut 7-9 ↷	TURN nut 4-6 ↷



**Install cover as shown.**



Adjusting door to close due to high draft conditions may exceed ADA standards. Consult local ordinances when fire doors are involved.



NOTES

1. REINFORCE METAL DOORS AND FRAMES PER ANSI A250.8 & SDI-100, 12 GAUGE RECOMMENDED.
2. RIGHT HAND DOOR SHOWN, LEFT HAND OPPOSITE.
3. HOLD OPEN POSITION CAN BE ALTERED FROM 85° TO 110° BY ADJUSTING ARM LENGTH.
4. FOR NARROW RAIL DOORS (WIDER THAN 2-1/4"), USE 351-A DROP PLATE, SEE TEMPLATE A6772.
5. AUXILIARY STOP REQUIRED.
6. (3) HOLES ARE PROVIDED FOR THE CONDUIT CONNECTION. AN ADAPTER IS INCLUDED THAT ACCEPTS STANDARD 1/2" THREADED CONDUIT.
7. FOR REVEALS 1" OR LESS, INSTALL THE TRACK 1-3/4" AWAY FROM THE HINGE.

<b>SARGENT Manufacturing Company</b> 100 Sargent Drive, New Haven, CT 06511	
DATA SHEET: 351EHTD SERIES CLOSER/HOLDER DOUBLE EGRESS APPLICATION	EFFECTIVE DATE JUNE 03 TEMPLATE NO. A7643 A