

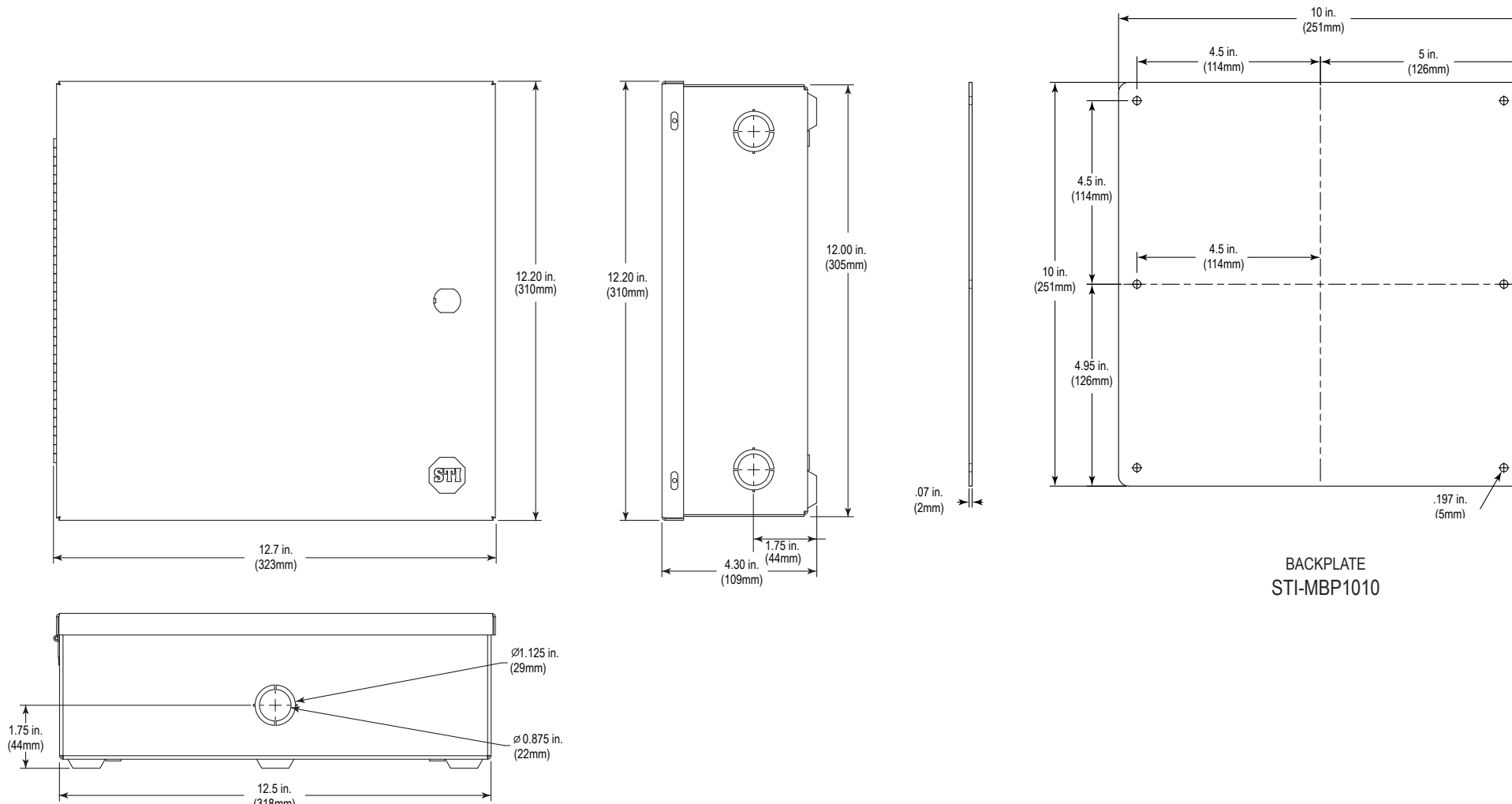


**Safety Technology
International**

2306 Airport Road
Waterford • Michigan • 48327-1209
Phone: 248-673-9898
E-mail: info@sti-usa.com • Web: www.sti-usa.com

Taylor House • 34 Sherwood Road • Bromsgrove
Worcestershire • B60 3DR • England
Tel: +44 (0)1527 520 999
E-mail: info@sti-emea.com • Web: www.sti-emea.com

Unit 7A • Lockheed Avenue
Airport Business Park
Waterford • X91 HWF2 • Ireland
E-mail: info@sti-emea.com



BACKPLATE
STI-MBP1010

Three year warranty or a one year limited warranty
(from date of purchase) on most products. See website for details.
Electronic warranty form at www.sti-usa.com/wc14.



USA

STI-EM121204 & EM1212DOC METAL PROTECTIVE CABINET
All specifications and information shown were current as of publication and are subject to change without notice.

EM121204 MAY2013



EMEA