



**Camera Model:**

SRXV2-2F3-EWD-IR

**Document number:** C6780M

**Publication date:** 1/2025

## Legal Notices

© 2025, Pelco Corporation. All rights reserved. PELCO, the PELCO logo, PELCO are trademarks of Pelco Corporation. ONVIF is a trademark of Onvif, Inc. Covered by one or more claims of the patents listed at [patentlist.hevcadvance.com](http://patentlist.hevcadvance.com). Other names or logos mentioned herein may be the trademarks of their respective owners. The absence of the symbols ™ and ® in proximity to each trademark in this document or at all is not a disclaimer of ownership of the related trademark. Pelco Corporation protects its innovations with patents issued in the United States of America and other jurisdictions worldwide (see [www.pelco.com](http://www.pelco.com)). Unless stated explicitly and in writing, no license is granted with respect to any copyright, industrial design, trademark, patent or other intellectual property rights of Pelco Corporation or its licensors.

## Disclaimer

This document has been compiled and published using product descriptions and specifications available at the time of publication. The contents of this document and the specifications of the products discussed herein are subject to change without notice. Pelco Corporation reserves the right to make any such changes without notice. Neither Pelco Corporation nor any of its affiliated companies: (1) guarantees the completeness or accuracy of the information contained in this document; or (2) is responsible for your use of, or reliance on, the information. Pelco Corporation shall not be responsible for any losses or damages (including consequential damages) caused by reliance on the information presented herein.

Pelco Corporation

[www.pelco.com](http://www.pelco.com)

C6780M

Revision: 1 - EN

20250122

## Important Safety Information



### WARNING

Failure to observe the following instructions may result in severe injury or death.

- Installation and service should be performed only by qualified and experienced technicians and comply with all local codes and rules to maintain your warranty.
- The mains power adaptor equipment should be marked LPS (Limited Power Source) or PS2 and rated PoE 48Vdc, 0.17A min, Tam=60 degree C. (Comply with relevant certification of IEC/EN/UL or equivalent.)
- If a Class I PoE adapter or switch is used to provide power, be sure that the power cord is firmly plugged into the socket and confirm the main earth connection.
- ESD to the camera when it is operating could cause a temporary loss of video. When servicing the camera appropriate ESD mitigation procedures should be followed. The operator should remove any static by grounding themselves before servicing the camera.



### CAUTION

Failure to observe the following instructions may result in injury to persons or damage to the device.

- Do not expose the camera directly to high levels of x-ray, laser, or UV radiation. Direct exposure may cause permanent damage to the image sensor.
- Do not install near any heat sources such as radiators, heat registers, stoves, or other sources of heat.
- Do not subject the device cables to excessive stress, heavy loads or pinching.
- Do not open or disassemble the device. There are no user serviceable parts.
- Refer all device servicing to qualified personnel. Servicing may be required when the device has been damaged (such as from a liquid spill or fallen objects), has been exposed to rain or moisture, does not operate normally, or has been dropped.
- Do not use strong or abrasive detergents when cleaning the device body.
- Use only accessories recommended by Pelco.

## Regulatory Notices

This device complies with part 15 of the FCC Rules. Operation is subject to the following two conditions: (1) this device may not cause harmful interference, and (2) this device must accept any interference received, including interference that may cause undesired operation.

This Class B digital apparatus complies with Canadian ICES-003 (B)/NMB-3(B).

This device complies with EN 60529 IP66 and IP67 rating.

This equipment has been tested and found to comply with the limits for a Class B digital device, pursuant to part 15 of the FCC Rules. These limits are designed to provide reasonable protection against harmful interference in a residential installation. This equipment generates, uses and can radiate radio frequency energy and, if not installed and used in accordance with the instructions, may cause harmful interference to radio communications. However, there is no guarantee that interference will not occur in a particular installation. If this equipment does cause harmful interference to radio or television reception, which can be determined by turning the equipment off and on, the user is encouraged to try to correct the interference by one or more of the following measures:

- Reorient or relocate the receiving antenna.
- Increase the separation between the equipment and receiver.
- Connect the equipment into an outlet on a circuit different from that to which the receiver is connected.
- Consult the dealer or an experienced radio/TV technician for help.

Changes or modifications made to this equipment not expressly approved by Pelco Corporation or parties authorized by Pelco Corporation could void the user's authority to operate this equipment.

To meet the requirements of the EN 50121-4 Railway Applications Standard, use an external power supply or POE injector that is also compliant with EN 50121-4. Please contact Pelco for assistance regarding supporting equipment.

The use of EMC compliant support and auxiliary equipment with this device is required in order to fully comply with the EMC regulatory standards.

## For Korea

이 기기는 가정용(B급) 전자파적합기기로서 주로 가정에서 사용하는 것을 목적으로 하며, 모든 지역에서 사용할 수 있습니다.

## Disposal and Recycling Information

When this product has reached the end of its useful life, please dispose of it according to your local environmental laws and guidelines.

**European Union:**

## Sarix Value 2 Series Wedge Cameras Installation Manual



This symbol means that according to local laws and regulations your product should be disposed of separately from household waste. When this product reaches its end of life, take it to a collection point designated by local authorities. Some collection points accept products for free. The separate collection and recycling of your product at the time of disposal will help conserve natural resources and ensure that it is recycled in a manner that protects human health and the environment.

# Table of Contents

Important Safety Information .....	3
Regulatory Notices .....	4
For Korea .....	4
Disposal and Recycling Information .....	4
Overview .....	3
Camera Module .....	3
Cover View .....	3
Internal View .....	4
Bottom View .....	5
Preparing for Installation .....	6
Removing the Wedge Dome Cover .....	6
Mounting and Aiming Video Analytics Cameras .....	6
Surface Mount Installation .....	7
Surface Mount Required Tools and Materials .....	7
Surface Mount Package Contents .....	7
Installation Steps .....	7
Mounting the Wedge to a Ceiling or Wall (Cables Hidden) .....	7
Mounting the Wedge to a Ceiling or Wall (External Cable) .....	11
Installing the Wedge Dome Cover .....	13
Connecting a Camera to the Network .....	15
Ethernet Wiring Requirement .....	15
Accessing the Camera Web Interface .....	15
Access the Camera Web Interface from the Camera Configuration Tool (CCT) .....	16
Creating the Initial User and Logging In .....	16
Logging In .....	16
Log Out .....	16
Positioning the Wedge Camera .....	17
(Optional) Configuring microSD Card Storage .....	17
Configuring the Camera .....	18
For More Information .....	18
Connection Status LED Indicator .....	19
Resetting to Factory Default Settings .....	20
Cleaning .....	21

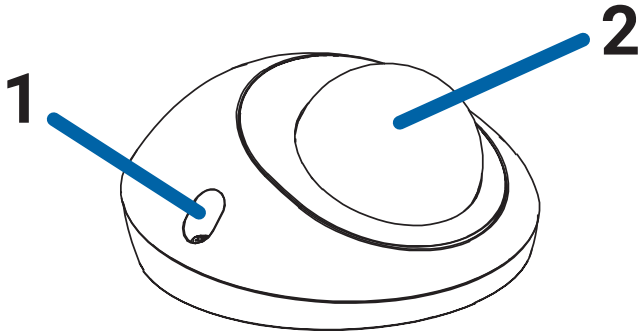
# Sarix Value 2 Series Wedge Cameras Installation Manual

Dome Bubble .....	21
Body .....	21
Limited Warranty and Technical Support .....	22
Pelco Troubleshooting Contact Information .....	23

# Overview

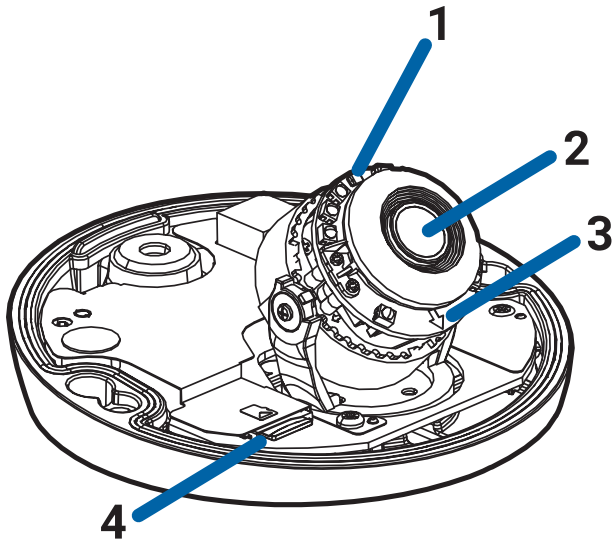
## Camera Module

### Cover View



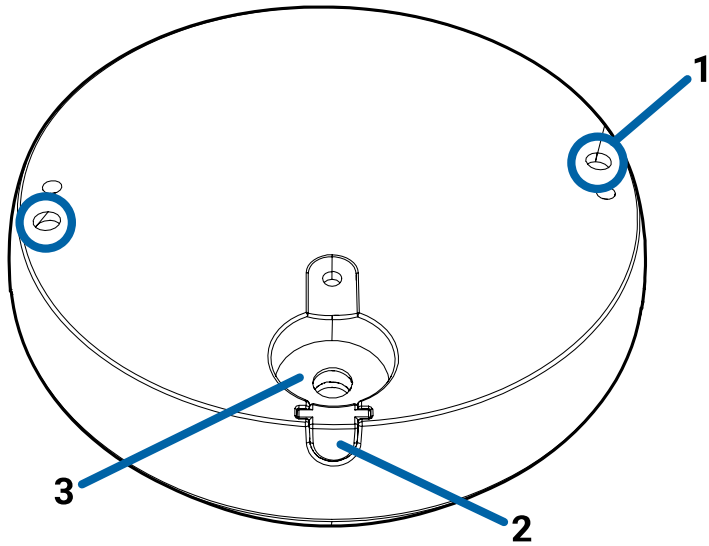
- 1. Tamper resistant screws**  
Star-shaped captive screws to fix the dome cover to the base.
- 2. Dome cover**  
Polycarbonate dome cover.

## Internal View



- 1. IR LED Lights**  
IR LED embedded board for illumination under low-light conditions.
- 2. Camera Lens**  
Fixed camera lens for capturing video.
- 3. Indicator Arrow**  
Arrow used for aligning the video image. The arrow points towards the top of an image.
- 4. microSD card slot (x1)**  
Accepts a microSD card for onboard storage. Install microSD cards so the metal contacts are facing the base of the camera. For more information, see (Optional) Configuring Onboard Storage on page 36.

## Bottom View

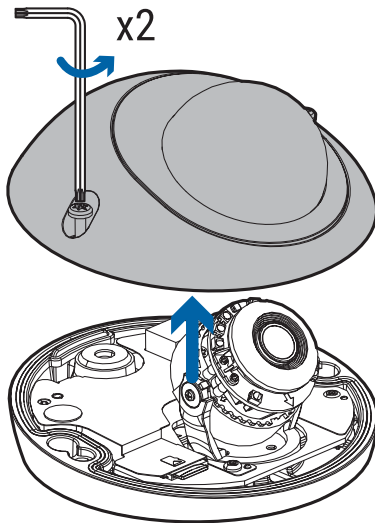


- 1. Mounting holes**  
Holes for mounting the wedge to the mounting surface.
- 2. Side conduit entry hole**  
An entry hole for the side conduit and cables required for camera operation.
- 3. Cable entry hole**  
An entry hole for the cable required for camera operation.

## Preparing for Installation

### Removing the Wedge Dome Cover

1. Remove the cover by loosening the screws that fix the cover to the base. Use the provided starshaped screwdriver to loosen the screws.



#### NOTE

Be careful not to scratch or touch the dome bubble. The resulting marks or fingerprints may affect the overall image quality. Keep the protective covers on the outside of the dome bubble until the installation is complete.

2. Lift the cover off the camera base and set it aside.

## Mounting and Aiming Video Analytics Cameras

When installing a Pelco Smart analytics camera, follow the listed mounting and aiming recommendations to maximize the camera's analytics capabilities:

- The camera should be installed above 2.74 m (9 feet).
- The camera should tilt downwards no more than 45 degrees.
- The camera image should be level with the horizon line.
- The camera should be mounted to a stable surface to minimize the physical movement of the camera after installation.

For more details, see the *Designing a Site with Pelco Smart Analytics Guide*. This document is available on the Pelco website.

# Surface Mount Installation

## Surface Mount Required Tools and Materials

The following tools are required to complete the installation but are not included in the package:

- Appropriate tool for cutting the cable access hole.
- Appropriate tool for drilling mounting screw holes in the mounting surface.
- Appropriate screwdriver for attaching camera to an electrical box or mounting surface.

## Surface Mount Package Contents

Ensure the package contains the following:

- Pelco Sarix Value 2 Wedge
- Mounting template
- Star-shaped screwdriver
- 2x screws and anchors – for securing the camera to the mounting surface.
- Side cable entry hole cap
- RJ-45 waterproof connector kit:
  - RJ-45 Ethernet/PoE port
  - Rubber O-ring
  - Rubber protective (waterproof) boot

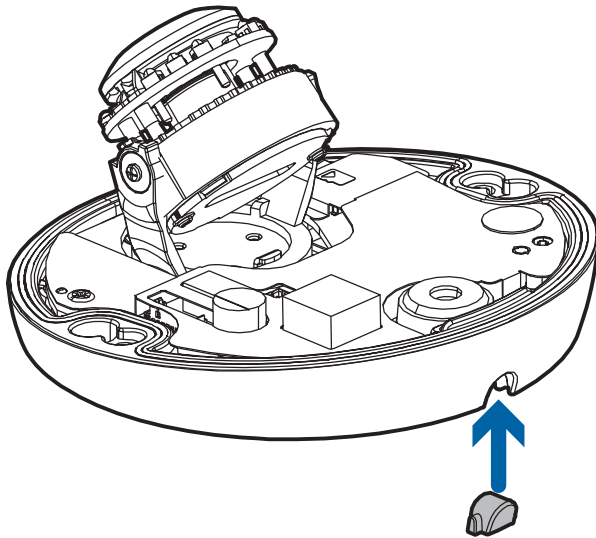
## Installation Steps

### Mounting the Wedge to a Ceiling or Wall (Cables Hidden)

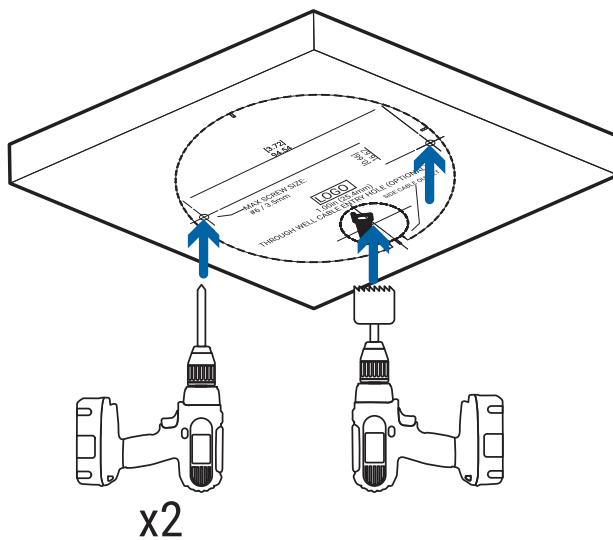
Perform the following steps if mounting the camera directly to the surface and the cables will come from inside the mounting surface. Use this procedure on surfaces that can be easily drilled into, and when the cables should be kept out of sight.

## Sarix Value 2 Series Wedge Cameras Installation Manual

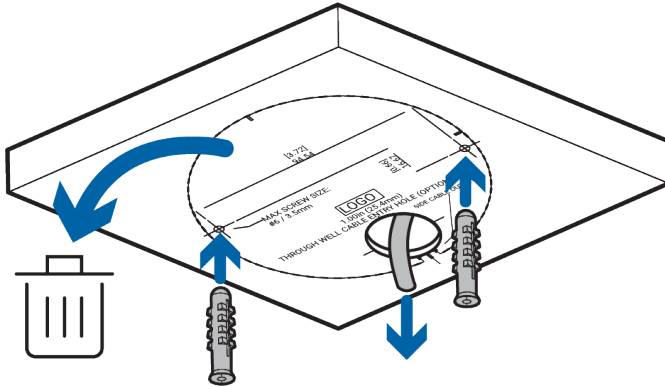
1. Using the side entry hole cap from the accessories package, plug the side conduit entry hole in the camera base.



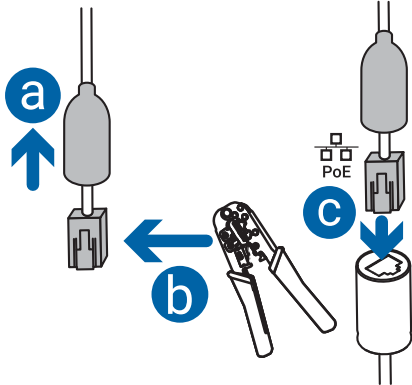
2. Using the Surface Mounting Template, drill 2 pilot holes into the mounting surface for the mounting screws.



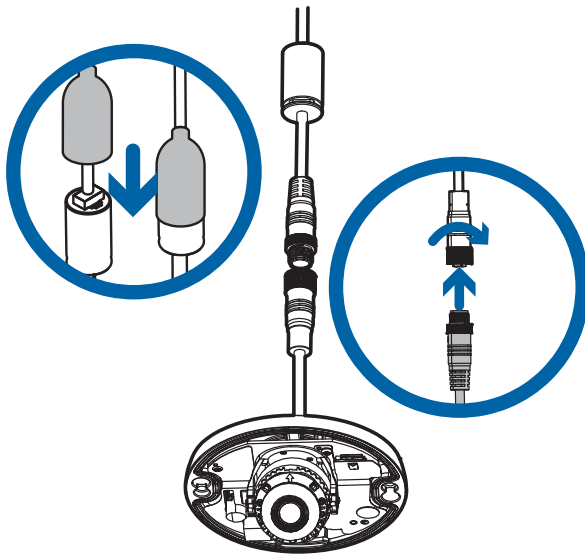
3. Hammer the supplied plastic anchors into the holes.



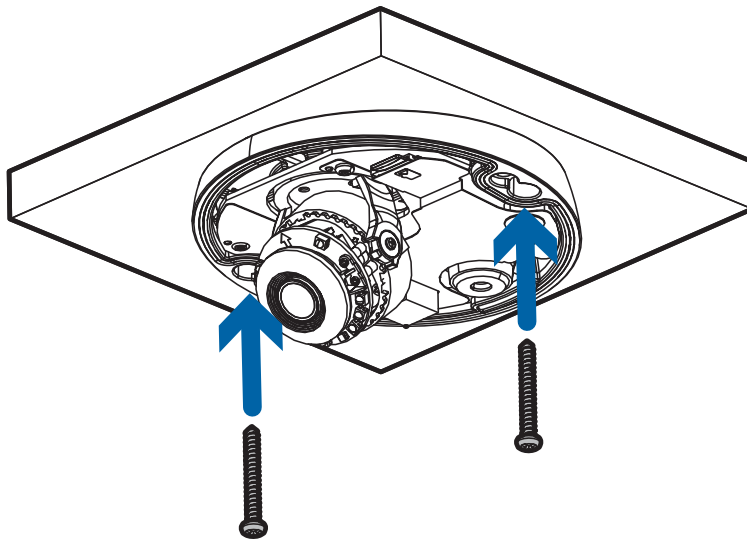
4. Cut the cable entry hole into the mounting surface with a drywall saw or hole saw.
5. Pull the required cables through the mounting surface.
6. Attach the Ethernet cable:
  - a. Thread the rubber protective (waterproof) boot in the accessory package onto the Ethernet cable.
  - b. Terminate the RJ-45 connector. Additional information is available here: [Ethernet Wiring Requirement on page 15](#).
  - c. Plug the Ethernet cable into the provided PoE RJ-45 port (for both power supply and network connectivity purposes).
  - d. If a M12 D-coded 4-pin connection is desired, please remove the M12 to RJ45 adapter and connect a M12 D-Coded cable in place of the RJ45 Ethernet cable.



7. Slide the rubber boot over the Ethernet cable. Then tightly assemble the waterproof connector together with the PoE port for ingress protection. The rubber O-ring should encircle the PoE port firmly.



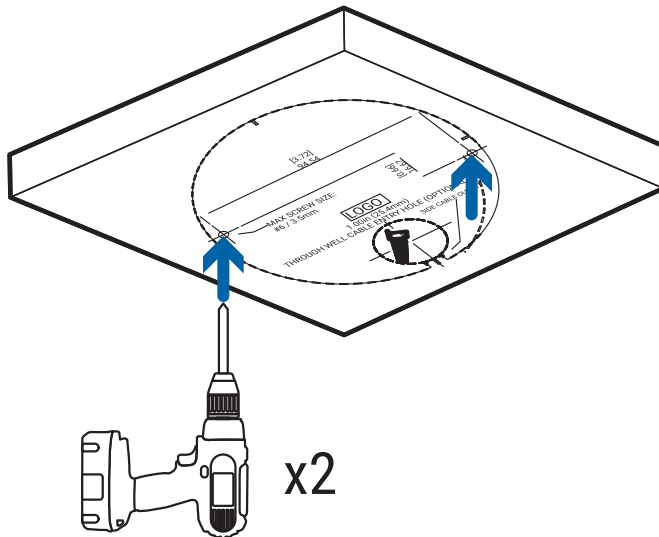
8. Push the cable back into the ceiling or wall, making sure it is fully recessed. Then, press the wedge camera base firmly against the ceiling or wall so it sits flush.
9. Use the star-shaped screwdriver to tighten the 2 captive screws and secure the wedge camera base to a ceiling or wall.



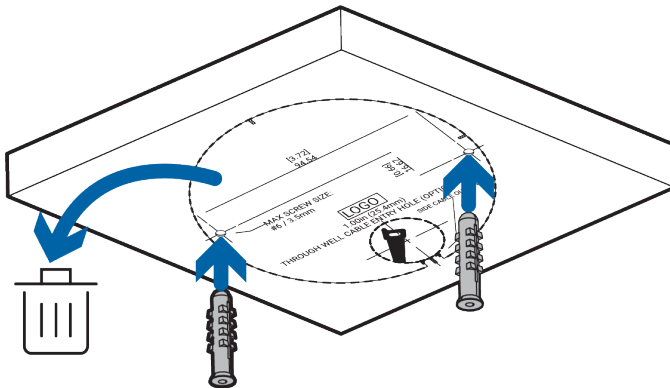
## Mounting the Wedge to a Ceiling or Wall (External Cable)

Perform the following steps if mounting the camera directly to the surface and the cables will come from outside the mounting surface. Use this procedure on surfaces that can be easily drilled into, and when the cables should be installed externally using the side conduit entry hole.

1. Using the Surface Mounting Template, drill 2 pilot holes into the mounting surface for the mounting screws.

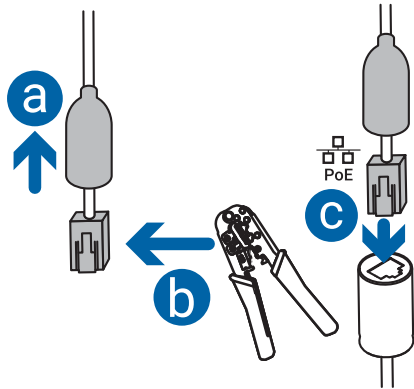


2. Hammer the supplied plastic anchors into the holes.

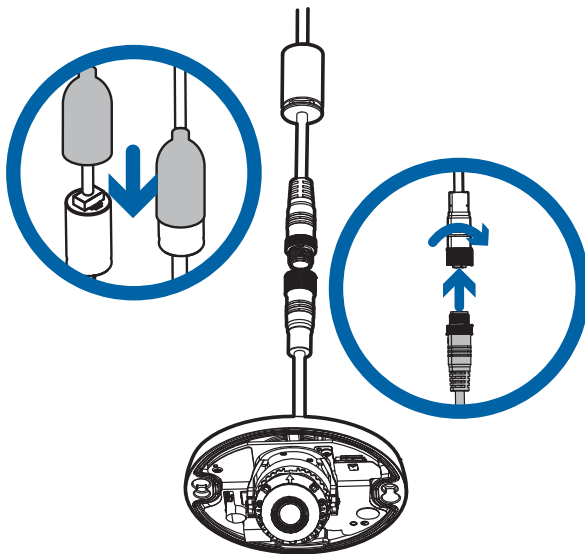


3. Attach the Ethernet cable:
  - a. Thread the rubber protective (waterproof) boot in the accessory package onto the Ethernet cable.
  - b. Terminate the RJ-45 connector. Additional information is available here: [Ethernet Wiring Requirement on page 15](#).
  - c. Plug the Ethernet cable into the provided PoE RJ-45 port (for both power supply and network connectivity purposes).
  - d. If a M12 D-coded 4-pin connection is desired, please remove the M12 to RJ45 adapter and connect a M12 D-Coded cable in place of the RJ45 Ethernet cable.

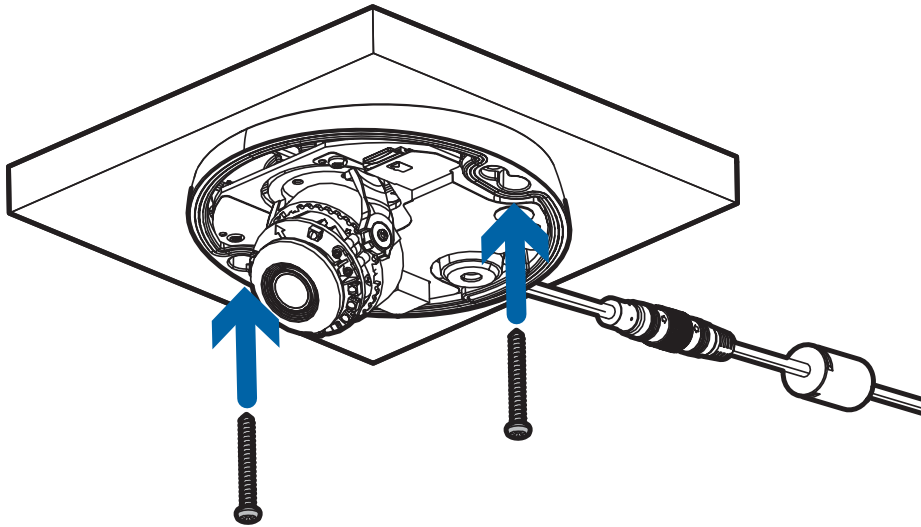
## Sarix Value 2 Series Wedge Camera Installation Manual



4. Slide the rubber boot over the Ethernet cable. Then tightly assemble the waterproof connector together with the PoE port for ingress protection. The rubber O-ring should encircle the PoE port firmly.



5. Press the wedge camera base firmly against the ceiling or wall so it sits flush.
6. Use the star-shaped screwdriver to tighten the 2 captive screws and secure the wedge camera base to a ceiling or wall.



## Installing the Wedge Dome Cover

Be careful not to touch or scratch the dome bubble when installing the dome cover.



### NOTE

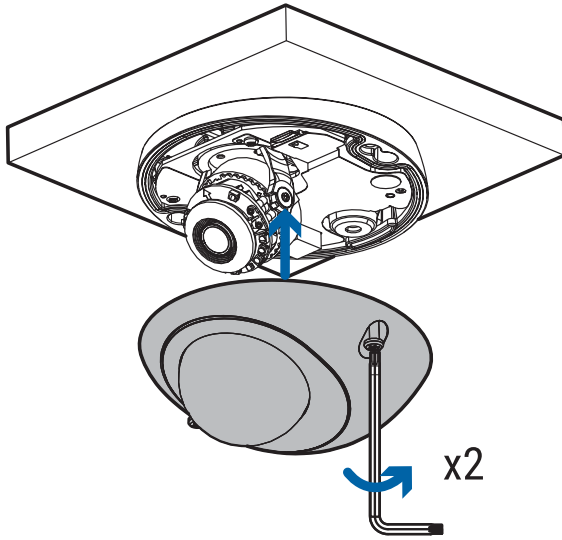
Before installing the dome cover, we recommend that you first connect to the camera and adjust the aim, zoom, and focus so that the camera covers the required field of view. For more information, see:

- [Creating the Initial User and Logging In on page 16](#)
- [Positioning the Wedge Camera on page 17](#)

Be careful not to touch or scratch the dome bubble. Any marks or fingerprints on the dome bubble may cause unwanted reflections from the IR illuminators.

## Sarix Value 2 Series Wedge Cameras Installation Manual

1. Remove the plastic covers on the inside of the dome bubbles.
2. Attach the cover to the base and tighten the screws with the star-shaped screwdriver.



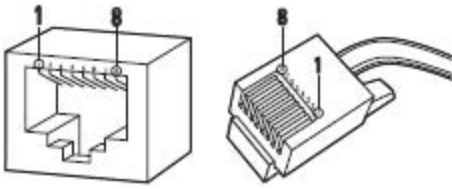
3. Remove the plastic covers on the outside of the dome bubbles.

# Connecting a Camera to the Network

## Ethernet Wiring Requirement

A Cat5 cable or higher cable (not supplied) is used to connect the RJ-45 network port during the installation process. The port includes video through Ethernet, and the PoE (Power Over Ethernet) for the camera. PoE injects power over the same cabling that carries the network data, eliminating the need for a separate power supply.

Refer to the Cable Pin Description figure below for pin descriptions.



Ethernet with POE+ Mode A

Pin	Function
1	TX, PoE 1-2
2	TX-, PoE 1-2
3	RX+, PoE 3-4
4	Not used
5	Not used
6	RX-, PoE 3-4
7	Not used
8	Not used

## Accessing the Camera Web Interface

You can access the camera web interface to configure camera settings after the camera is installed. You need to use a computer on the same network as your camera to access the camera web interface.



**NOTE**

The web browser must be configured to accept cookies or the camera web interface will not function correctly.

## Sarix Value 2 Series Wedge Cameras Installation Manual

1. Enter the camera's IP address into a web browser in the format `http://<camera IP address>/`  
For example: `http://192.168.1.40/`
2. You will automatically be prompted to enter your username and password to access the camera.  
You will be asked to create a user with administrator privileges before the device will be operational.  
For more information, see Adding a User.

## Access the Camera Web Interface from the Camera Configuration Tool (CCT)

You can also access the camera web interface from the Motorola Camera Configuration Tool (CCT)  
<https://www.pelco.com/camera-configuration-tool/>.

## Creating the Initial User and Logging In

Cameras do not have a default username and password and will be in a factory default state.



### NOTE

You must create a user with administrator privileges before the camera is operational.

If the camera is in the factory default state, you will be redirected to the New User page to create an administrator user:

1. Enter a new User Name or keep the default administrator name.
2. Enter a new Password for the user. It is recommended to use a secure and complex password.
3. Confirm the new password.
4. For the first user, Administrator must be selected in the Security Group drop-down menu.
5. Click Apply. You will be prompted to log in.

## Logging In

You will automatically be prompted to enter your username and password to access the camera.

- If the camera is in the factory default state, you will be asked to create a user with administrator privileges before the camera will be operational. Use these credentials when logging in.



### NOTE

Pelco recommends that you add a password after your first log in. For more information, see the Sarix Value 2 Operations Manual.

## Log Out

To log out of the camera, at the upper right corner of the window, click Logout.

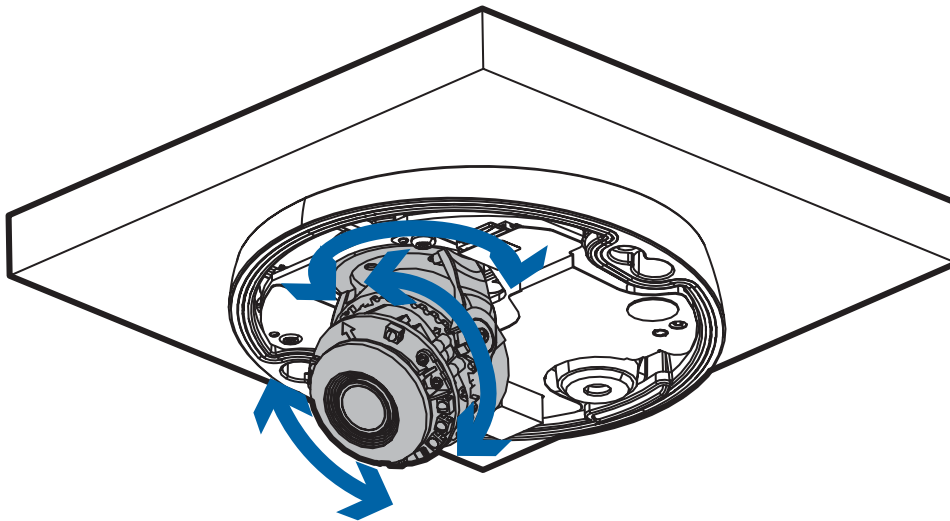


**NOTE**

After 15 minutes of inactivity, the Web UI will automatically log the user out.

## Positioning the Wedge Camera

To position the wedge camera, follow the steps below.



1. Pan Adjustment: Rotate the lens camera assembly until you are satisfied with the field of view.
2. Horizontal Rotation: Rotate the lens camera assembly in the camera module, but do not turn the assembly more than 355° as this may cause the internal cables to be twisted, disconnected, or broken.
3. Tilt Adjustment: Tilt the camera lens to your desired angle.



**CAUTION**

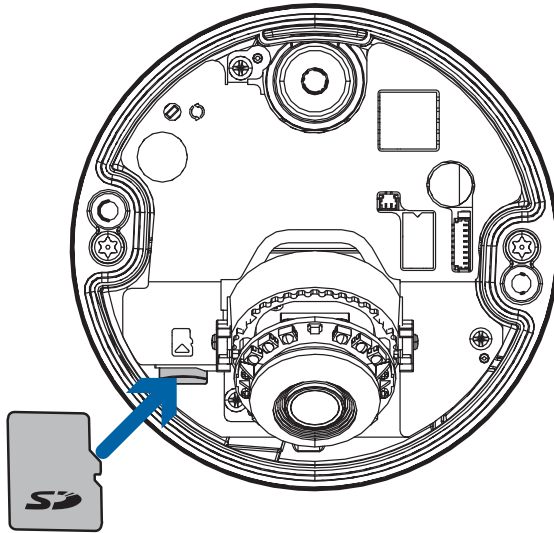
Do not exceed the limit for the camera's pan range (0°-180°), rotation range (0° - 355°), or tilt range (0° - 80°).

## (Optional) Configuring microSD Card Storage

To use the camera's onboard storage feature, you must insert 1 microSD card into the microSD card slot.

It is recommended that the microSD card have a write speed of class 10 or better. If the microSD card does not meet the recommended write speed, the recording performance may suffer and result in the loss of frames or footage.

1. Insert a microSD card into the camera.



### CAUTION

Do not force the microSD card into the camera or you may damage the card and the camera. The microSD card can only be inserted in one direction.

2. Access the camera's web interface to enable the onboard storage feature. For more information, see the *Pelco Sarix Value 2 Series Wedge Operations Manual*.

## Configuring the Camera

After the camera is installed, configure it using the instructions in the current version of the *Pelco Sarix Value 2 Series Wedge Operations Manual*.

## For More Information

Additional information about setting up and using the device is available in the following guides:

- *Pelco Sarix Value 2 Series Wedge Operations Manual* available on the Pelco website: [www.pelco.com](http://www.pelco.com).
- *Camera Configuration Tool User Guide*

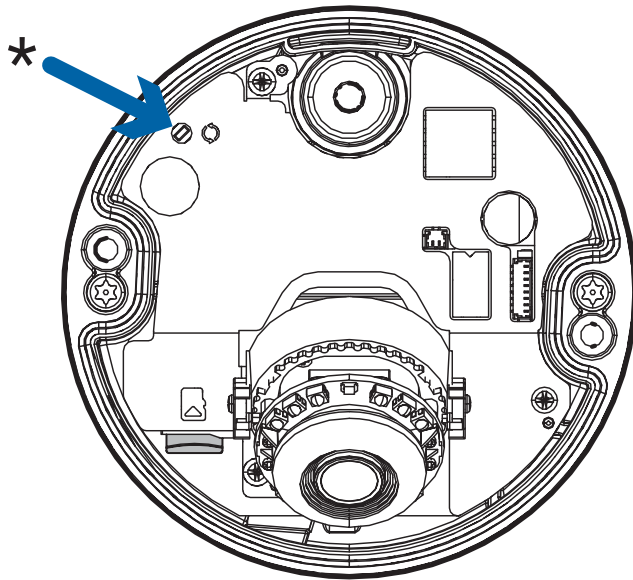
## Connection Status LED Indicator

Once connected to the network, the green Connection Status LED indicator will turn on during the camera's boot up process. Once fully booted, the LED will turn off.

## Resetting to Factory Default Settings

If the device no longer functions as expected, you can choose to reset the device to its factory default settings.

Use the firmware revert button to reset the device. The firmware revert button is shown in the following diagram:



**Figure 1:** The firmware revert button on the wedge camera.

1. Ensure the device is powered on.
2. Using a straightened paperclip or similar tool, gently press and hold the firmware revert button.
3. Release the button after three seconds.



### CAUTION

Do not apply excessive force. Inserting the tool too far may damage the camera.

# Cleaning

## Dome Bubble

If the video image becomes blurry or smudged in areas, it may be because the dome bubble requires cleaning.

To clean the dome bubble:

- Use hand soap or a non-abrasive detergent to wash off dirt or fingerprints.
- Use a microfiber cloth or non-abrasive fabric to dry the dome bubble.



### IMPORTANT

Failure to use the recommended cleaning materials may result in a damaged or scratched dome bubble. A damaged dome bubble may negatively impact image quality and cause unwanted IR light reflecting into the lens.

## Body

- Use a dry or lightly dampened cloth to clean the camera body.
- Do not use strong or abrasive detergents.

## Limited Warranty and Technical Support

Pelco warranty terms for this product are provided at [pelco.com/warranty](https://pelco.com/warranty).

Warranty service and technical support can be obtained by contacting Pelco Technical Support: [pelco.com/contact](https://pelco.com/contact).

## Pelco Troubleshooting Contact Information

For further assistance, contact Pelco Product Support at 1-800-289-9100 (USA and Canada) or +1-559-292-1981 (international).

Do not try to repair the unit yourself. Leave maintenance and repairs to qualified technical personnel only.

