

# 8400 Series

## Life-Safety Narrow Stile Mortise Exit Device



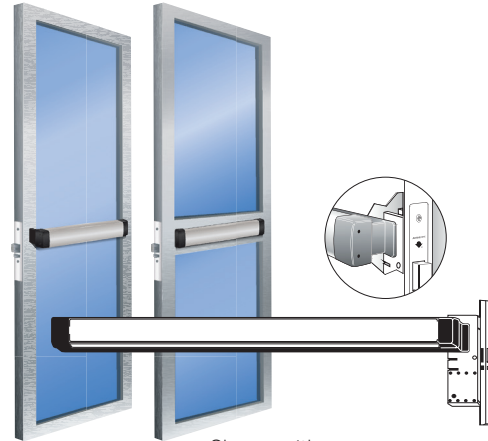
The 8400 Series Narrow Stile Mortise Exit Device is designed for narrow stile aluminum applications that require a life-safety exit device with mortise locking solution.

Designed for use in single door applications.

### Certifications

UL 305 Panic Hardware

ANSI/BHMA A156.3, Grade 1



Shown with  
8475 mid-panel

## Features

### Materials

Push bar made of extruded aluminum, clad or anodized in a variety of finishes.

### Handing

Specify handing and bevel if applicable.

### Push bar Length

Standard sizes dimensioned for 30" [762.0 mm], 36" [914.4 mm], 42" [1,066.8 mm], and 48" [1,219.2 mm] openings. Standard width bars can be field cut to the next smallest opening width.

### Backset

31/32" [24.6 mm], 1-1/8" [28.6 mm], or 1-1/2" [38.1 mm]. Fits standard cutout used for the Adams Rite 4900 Heavy Duty Deadlatch on narrow stile aluminum doors.

### Door Thickness

Suits 1-3/4" [44.5 mm] standard. Device can be modified for thicker doors using Thick Door Kit available separately, or for thermal doors using Thermal Door Kit available separately.

### Stile Width

Minimum 2" [50.8 mm] stile. Fits narrow, medium, and wide stile aluminum doors.

### Projection

2-5/8" [66.7 mm] when fully projected, 1-5/8" [41.3 mm] when dogged.

### Dogging

Standard dogging with hex key or optional cylinder dogging. Electric Dogging option has been discontinued. Motorized and Electric Latch Retraction options can replace Electric Dogging requirement, see Options & Accessories.

### Fasteners

Standard machine screws.

### Cylinders

Accepts any standard 1" [25.4 mm] length, 1-5/32" [29.4 mm] diameter mortise cylinder with MS® cam such as the 4036 Mortise Cylinder. Accommodates cylinder lengths from 1" [25.4 mm] to 1-1/4" [31.8 mm]. Available separately.

### Cylinder x Fixed Pull Functions

For function 03 (Night latch - key releases latch) select any standard 1" [25.4 mm] length, 1-5/32" [29.4 mm] diameter mortise cylinder with MS® cam such as the 4036 Mortise Cylinder. Function 03 is not applicable to 8475 Mortise Mid-Panel Exit Device.

### Entry Trim Functions

For entry trim function 08 (key locks/unlocks lever) or function 09 (key releases lever) select any standard 1" [25.4 mm] length, 1-5/32" [29.4 mm] diameter mortise cylinder with MS® cam such as the 4036 Mortise Cylinder. Accommodates cylinder lengths from 1" [25.4 mm] to 1-1/4" [31.8 mm]. Available separately.

**Bolts and Strikes**

Mortise deadlatch with bolt measuring 5/8" x 1" x 5/8" [15.9 mm x 25.4 mm x 15.9 mm] throw. Solid brass bolt.

A variety of strikes are available for different applications:

- Standard strike of stainless steel included, Extended Lip Strike 8460 available separately, Long Face Strike 8455-01 available separately.

**Shipping Weight**

11 lbs [4.99 kg]

**Options**

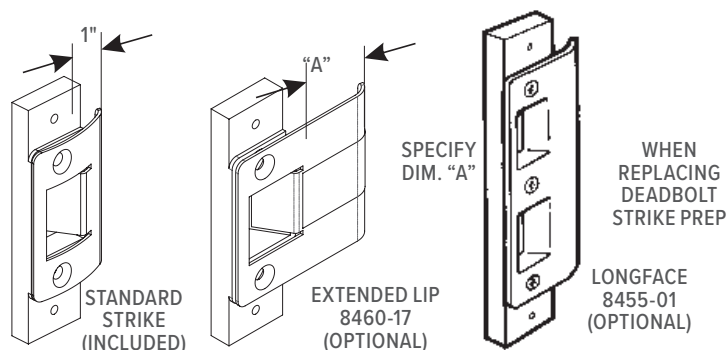
- **Electrification Options**
- Motorized Latch Retraction, Electric Latch Retraction (LR), Alarm, Monitoring, Cylinder Dogging, Matching End Caps

For more detailed information on any of the options listed above please see the Exit Devices Options on page 97 of this catalog.

**Standard Package**

Individually boxed.

All measurements are approximate and are provided for informational purposes only. Refer to the product Installation Instructions.

**How to Order & Related Products**

**8400 Narrow Stile Mortise Exit Device** Specify quantity and the following information. Order related products separately.

MODEL	FACEPLATE FINISH	FACE SHAPE	DEVICE OPTIONS	MONITORING OPTION	BACKSET	DOOR HANDING	PUSH BAR FINISH	DOOR OPENING WIDTH On pair of doors, specify HALF of the total exit opening	US FINISH	END CAPS OPTION FOR US FINISH
<b>84</b>	<b>1</b>	<b>4</b>	<b>MLR</b>	<b>M2</b>	<b>-4</b>	<b>7</b>	<b>1</b>	<b>42</b>		
<b>84</b> Life-Safety	<b>0</b> US Finish	<b>0</b> Flat, bevel, radius	<b>LR</b> Electric Latch Retraction (solenoid)	<b>M</b> Single Switch	<b>2</b> 31/32"	<b>7</b> RHR	<b>0</b> US Finish	<b>30</b> 30 inches	<b>42</b> 42 inches	<b>MEC</b> Matching End Caps
	<b>1</b> Clear Anodized 628	<b>4</b> Radius w/ Weatherstrip*	<b>MLR</b> Motorized Latch Retraction	<b>M2</b> Dual Switch	<b>3</b> 1-1/8"	<b>8</b> LHR	<b>1</b> Clear Anodized 628	<b>36</b> 36 inches	<b>48</b> 48 inches	
	<b>2</b> Dark Bronze Anodized 313		<b>C</b> Cylinder Dogging (non-fire rated devices ONLY)	<b>(Blank)</b> No Monitor	<b>4</b> 1-1/2"		<b>2</b> Dark Bronze Anodized 313	<b>AXXB</b> Alarmed Exit Device where XX is door opening width	<b>US32</b> Bright Stainless	
	<b>3</b> Black Anodized 335		<b>A</b> Alarm	- Without Options	<b>3</b> Black Anodized 335		<b>US32D</b> Satin Stainless			

\* Radius with weatherstrip faceplate is not available in US finishes.

**RELATED PRODUCTS** When purchasing this product, please consider the following related products, available separately:

ELECTRIC STRIKE	TRIM	CYLINDER	ACCESSORIES	POWER
7100/7101, 7110/7111, 7130/7131, 7140 Electric Strikes, 7400/7401, 7410/7411, 7430/7431, 7440 Electric Strikes	3080, 3080E Series Entry Trim, 3090-150	Operable by either 4036 Mortise Cylinder depending upon the ANSI/BHMA functions of the exit device	Thick or Cladded Door Kits, 8360-17 Extended Lip Strike, 8455-01 Longface, 8460-XX Long Lip Strike, 4901, 4902 Deadlatch Strike REX-Monitor/Signal Kits	PS-EXIT Power Supply (replaces PS-SE and PS-LR models), 4612 Power Transfer Device, 4605 Transformer, 4603 Rectifier