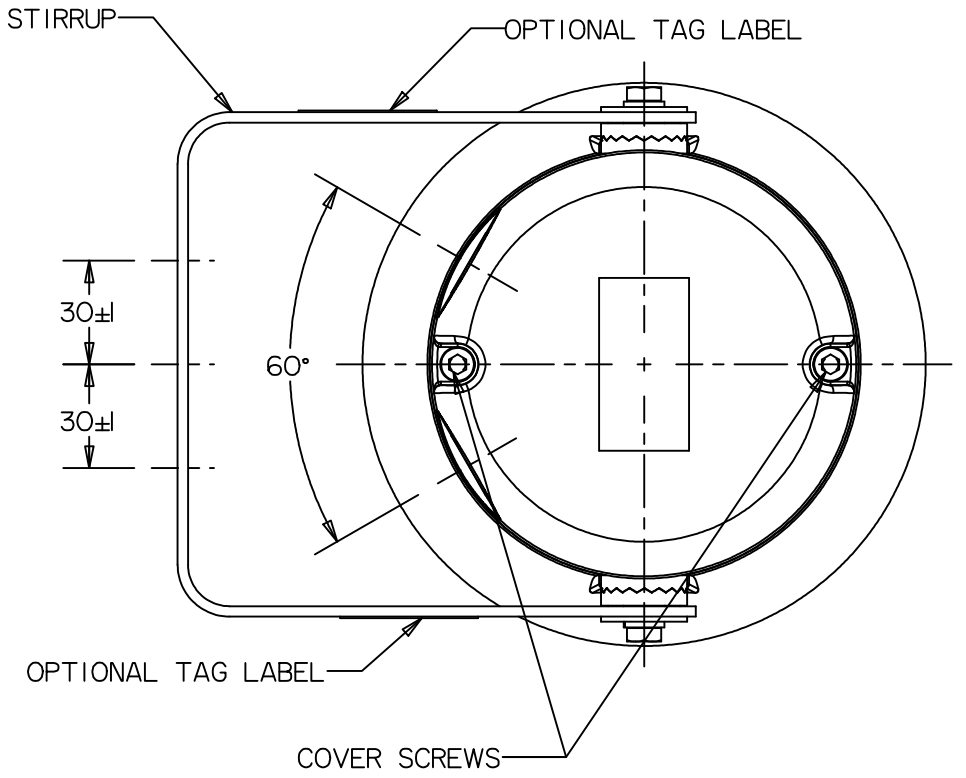
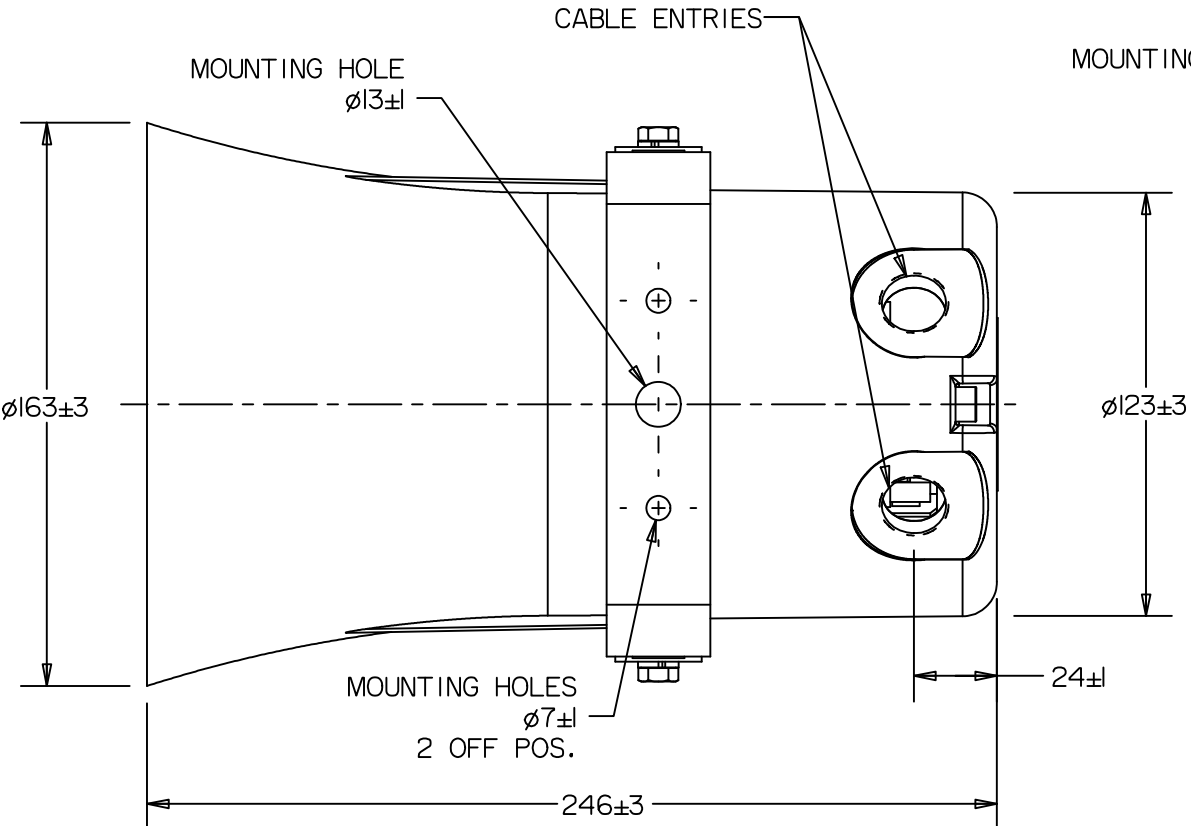
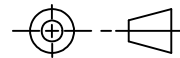


DO NOT SCALE



1. TYPE. 15W INDUSTRIAL SOUNDER
2. AMBIENT TEMPERATURE: -55°C TO +55°C
3. WEIGHT: 2.6KG ± 0.3
4. MATERIAL: GRP BODY & STAINLESS STEEL FIXINGS
5. TAG LABEL LETTER SIZE: 5 MAX.
6. TERMINALS: 6 x 2.5mm²(DC), 4 x 2.5mm²(AC)
7. CABLE ENTRIES: MAX. 2 OFF M20
8. OPTIONS: PAINT FINISH



MEDC Ltd, Colliery Road, Pinxton
 Nottingham NG16 6JF, U.K.
 Tel: +44 (0)1773 864100
 Fax: +44 (0)1773 582800
 e-mail: info@medc.com web: www.medc.com

DESIGNERS & MANUFACTURERS
 OF ELECTRICAL & ELECTRONIC
 EQUIPMENT & SYSTEMS FOR
 HAZARDOUS AREAS

ISSUES	ALL DIMENSIONS ARE IN MILLIMETRES UNLESS OTHERWISE STATED	THIS DRAWING IS CONFIDENTIAL AND IS THE PROPERTY OF MEDC AND MUST NOT BE REPRODUCED EITHER WHOLLY OR PARTLY. ALL RIGHTS IN RESPECT OF PATENTS, DESIGNS AND COPYRIGHT ARE RESERVED	DRAWN BY: P.FISHWICK	DATE: 15/01/02	TITLE STANDARD CUSTOMER GA DB15 SOUNDER	
	REMOVE ALL BURRS AND SHARP CORNERS		CHECKED BY: D.HAGIN	DATE: 15/01/02		
	MACHINE SYMBOLS THUS <input checked="" type="checkbox"/>		APPROVED BY: M.SELDEN	DATE: 16/01/02	DRG No. 255-144	
			SCALE: 2:5	SIZE: A4		