

EasyPoE Box Series Installation Guide



1 Unpacking

Unpack the items. Your package should include:

- One EasyPoE Box product
- Mounting adapter
- 3 x M20 filler plugs and 5 x M25 plugs

If items are missing or damaged, notify EtherWAN. Keep the carton and package.

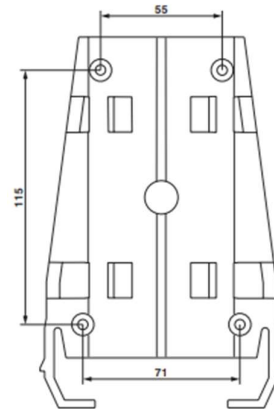
2 What Else You Need

- Open-end AC power cord, min. 18AWG
- Category 5 or better Ethernet cables
- SFP modules for optional fiber connectivity (applicable to models with SFP ports)
- PC with an Ethernet (RJ45) interface and a web browser for configuration

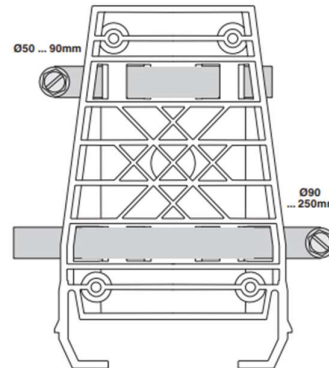
3 Installation

- Mount and remove the product only when power is disconnected.
- Install the product on a load-bearing wall or a pole (with optional pole mounting clamps).
- Install the product in a level position with the cable glands pointing downward.
- For wall mounting, point the smooth side of the mounting adapter towards you and secure the adapter to the wall using four

dowels and M6 screws.

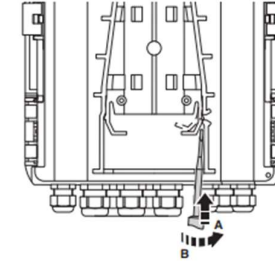


- For pole mounting, point the ribbed side towards you and assemble the adapter with two pole clamps (inner openings for diameter 50-90mm and outer openings for diameter 90-250mm).

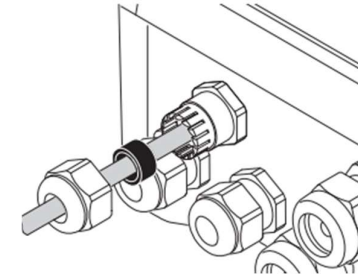


- After the mounting adapter is secure, place the EasyPoE Box onto the adapter from the top until it is locked securely in place.

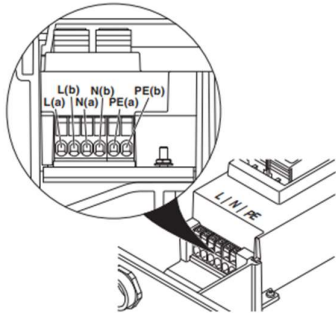
- To remove the product, insert a screwdriver through the opening on the rear side and lift the snap-in latch out.



- Guide cables through the cable glands by loosening the nut and removing the seal insert. Ensure that the seal insert tightly encloses the cable.



- Before connecting the power cord, make sure power is disconnected. Connect a grounding cable to the grounding screw. Connect the conductors.
- After connecting the power cord, press the ON/OFF switch on the side of the power supply to turn on the device.



5 Setting Static IP Address

- The operating mode of the switch can be changed via the Mode button.
- If a DHCP server is not available, use the following method to set up a static IP address.
- After the switch boots up, as soon as all LEDs turn off, press and hold the Mode button for at least 5 seconds.
- Note that there is a limited amount of time that the LEDs remain off and if LEDs come on again, it will not be possible to change the mode.
- Once all LEDs are solid green, release the button.
- The “Exit without change” function is active by default.
- To select the static IP address function, press the button to toggle between the functions until the function is chosen.
- Below is a table of the different functions with the corresponding LED patterns.

Function	CONF		UP 2		UP 1	
Exit without change	○	○	○	○	○	●
Resetting to factory defaults	○	○	○	○	●	●
Static IP address (192.168.0.254)	○	○	○	●	●	●
DHCP (standard IP configuration)	○	○	●	●	●	●
BootP	○	●	●	●	●	●
Unmanaged mode	●	●	●	●	●	●

- To apply and save the setting, press and hold the Mode button again for at least 5 seconds until all LEDs are solid and release the button.

- In a web browser, type the static IP address of <http://192.168.0.254> in the address bar and log in to the switch.

6 System LEDs

LED	Color	Status
PWR	Green	On = Device switched on
AUX	Green	On = 24VDC output
LINK	Green	ON = 10/100M
	Orange	ON = 1000M
PoE	Green	FLASH = Searching for powered device (PD)
		ON = Power supplied to PD
	Orange	ON = Force mode, PoE voltage present
		FLASH = Error, e.g. negotiated performance exceeded
All LEDs	Green	ON = Boot process.

4 Configuration

- After the unit powers up, connect a PC to the configuration port (labeled CONF).
- IP address will be assigned via DHCP by default. Make sure that a DHCP server, such as a router, is available.
- Retrieve the IP address from the DHCP server and access the web configuration page via a browser using the default credentials below.
- Username: **admin**; Password: **private**
- The EasyPoE Box is a collaboration between EtherWAN Systems and Phoenix Contact. As such, you may see references to Phoenix Contact, this is normal.
- For security purposes, make sure to change the password during initial configuration.
- To access the configuration page via a static IP address, see the section below.