

NOTES:  
 1. MATERIAL OF CONSTRUCTION IS MILD STEEL COATED  
 IN 2-4 MILS FLAT BLACK POWDER COATING WITH ZINC  
 ENRICHED PRIMER.



PEDESTALPRO.COM  
 1-800-660-3072

UNLESS OTHERWISE SPECIFIED:

DIMENSIONS ARE IN INCHES  
 TOLERANCES:  
 FRACTIONAL  $\pm 1/32$   
 ANGULAR:  $\pm 2^\circ$   
 TWO PLACE DECIMAL  $\pm 0.010$   
 THREE PLACE DECIMAL  $\pm 0.005$

INTERPRET GEOMETRIC  
 TOLERANCING PER:  
 ASME Y14.5 -2009

NAME	DATE
DRAWN	
CHECKED	

**PROPRIETARY AND CONFIDENTIAL**  
 THE INFORMATION CONTAINED IN THIS  
 DRAWING IS THE SOLE PROPERTY OF  
 PEDESTALPRO LLC. ANY REPRODUCTION  
 IN PART OR AS A WHOLE WITHOUT THE  
 WRITTEN PERMISSION OF PEDESTALPRO LLC  
 IS PROHIBITED.

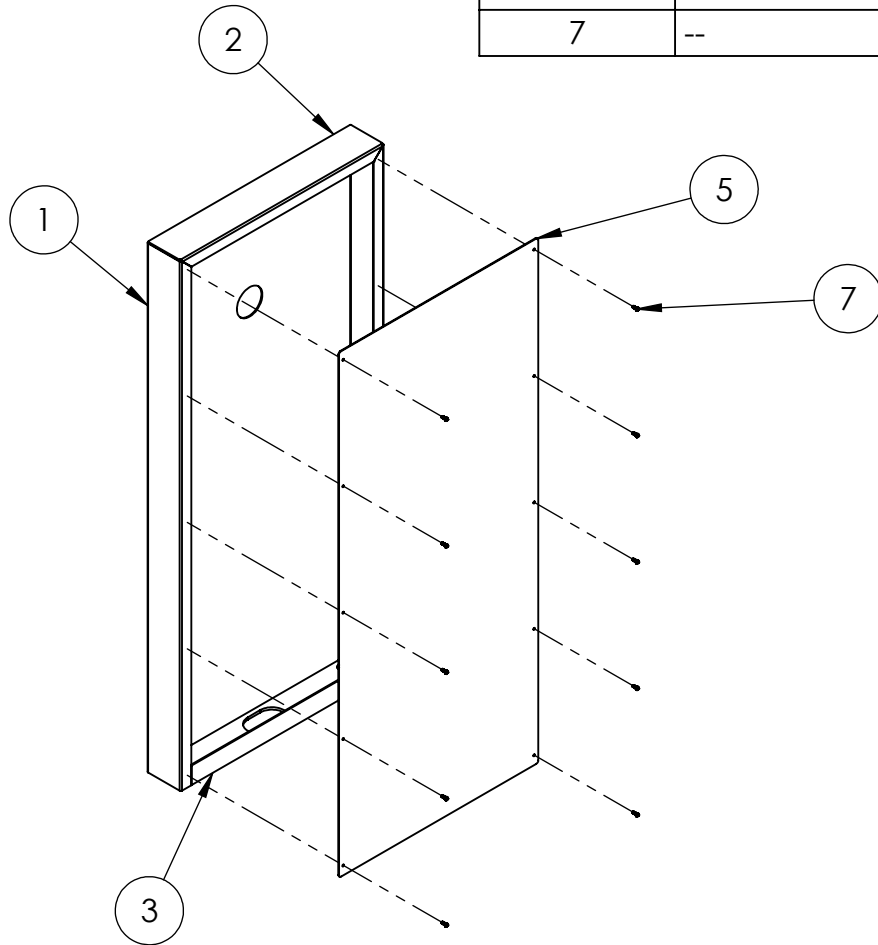
TITLE:  
**INSTALLATION**

Wednesday, August 3,  
 2022 10:33:03 AM

WEIGHT: 99.162

SIZE <b>A</b>	PART NO. 244CAB-INVU-01-CRS	REV <b>A</b>
NO SCALE		SHEET 1 OF 9

ITEM NO.	PART NUMBER	DESCRIPTION	QTY.
1	MAIN BODY	MAIN BODY	1
2	TOP	TOP	1
3	BOTTOM CLOSURE	BOTTOM CLOSURE	1
4	BASE PLATE	BASE PLATE	1
5	ACCESS PANEL	ACCESS PANEL	1
6	STIFFENER	STIFFENER	1
7	--	8-32 X 1/2" PAN HEAD SCREW	10



NOTES:

- SEE STANDARD PREPARATION AND COATING INSTRUCTIONS FOR COATING PROCEDURE AND COLOR.
- SEE STANDARD PACKAGING INSTRUCTIONS FOR PACKAGING PROCEDURE.



PEDESTALPRO.COM  
1-800-660-3072

UNLESS OTHERWISE SPECIFIED:

DIMENSIONS ARE IN INCHES  
TOLERANCES:  
FRACTIONAL  $\pm 1/32$   
ANGULAR:  $\pm 2^\circ$   
TWO PLACE DECIMAL  $\pm 0.010$   
THREE PLACE DECIMAL  $\pm 0.005$

INTERPRET GEOMETRIC  
TOLERANCING PER:  
ASME Y14.5 -2009

NAME	DATE
DRAWN	
CHECKED	

**PROPRIETARY AND CONFIDENTIAL**  
THE INFORMATION CONTAINED IN THIS  
DRAWING IS THE SOLE PROPERTY OF  
PEDESTALPRO LLC. ANY REPRODUCTION  
IN PART OR AS A WHOLE WITHOUT THE  
WRITTEN PERMISSION OF PEDESTALPRO LLC  
IS PROHIBITED.

TITLE:  
**ASSEMBLY**

Wednesday, August 3,  
2022 10:33:03 AM

WEIGHT: 99.162

SIZE **A** PART NO.  
244CAB-INVU-01-CRS

NO SCALE

REV **A**

SHEET 2 OF 9