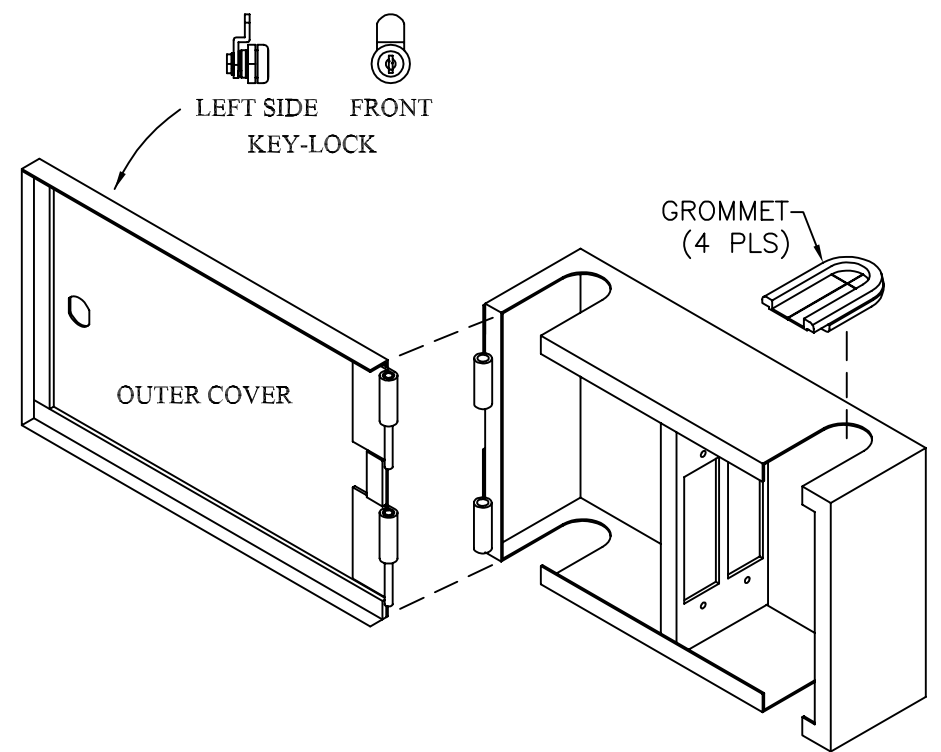
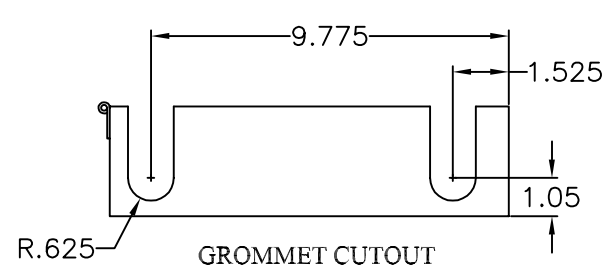
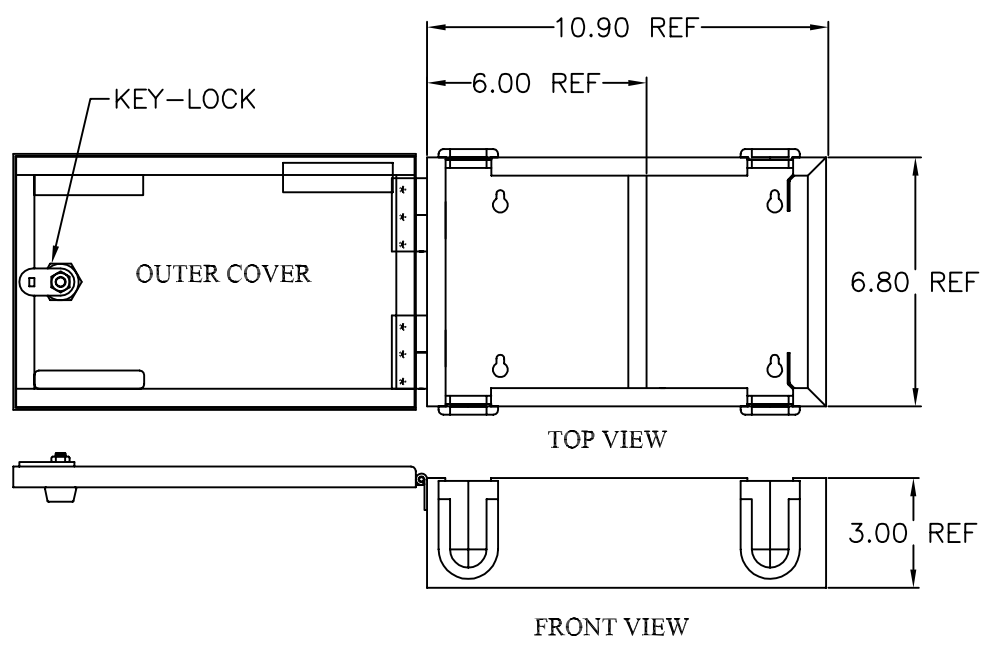


REV		SHT		DESCRIPTION		DATE	ECN	CHECKED
A	ALL	RELEASE	NEW			7/16/01	NEW	RBS



SPECIFICATIONS

FEATURES & BENEFITS:

- OPTICAL CABLE CORPORATIONS, FIBEROPTICX (WMC SERIES) MINI WALL MOUNT FIBER OPTIC CROSS CONNECT CABINETS PROVIDE FIBER MANAGEMENT, CONNECTIVITY AND DISTRIBUTION FOR 6 TO 24 FIBERS. ACCOMMODATES ALL CROSS CONNECT FUNCTIONS (SPlicing, TERMINATION, AND INTERCONNECTION) FOR OUTSIDE PLANT, BACKBONE, AND BUILDING CABLES.
- ACCOMMODATES SNAP-IN ADAPTER PLATES. WMC CABINET PORT COUNT IS BASED ON 6 PORT ADAPTER PLATES. (EXAMPLE: WMC12A ACCOMMODATES TWO 6 PORT ADAPTER PLATES.) ADAPTER PLATES ORDERED SEPARATELY.
- WMC CABINETS CAN BE ORDERED EMPTY, LOADED, OR CUSTOM-CONFIGURED TO YOUR PARTICULAR SPECIFICATIONS.
- WMC CABINETS PROVIDE PATCH & SPLICE CAPABILITIES. INTEGRAL STRAIN RELIEF BARS AND PLASTIC GROMMETS PROVIDE RELIABLE CABLE PROTECTION AT ALL CABLE ENTRANCES AND EXITS.
- RUGGED 16-GAUGE STEEL CONSTRUCTION WITH A DURABLE POWDER COAT FINISH. CABINET COLOR: A = ALMOND, B = BLACK.
- HINGED OUTER DOOR PROVIDE LOCKABLE CLASP EXTERIOR WITH EASY FRONT AND INNER ACCESS. AN EXTERIOR DOOR KEY-LOCK CAN BE ORDERED SEPARATELY.
- ALL PLASTIC COMPONENTS ARE HIGH IMPACT SELF-EXTINGUISHING, UL LISTED RATING 94V-0.

WMC12A		CABINET, MINI, WALL MOUNT, 12 PORT, ALMOND	
OCC PART NO.		DESCRIPTION	
UNCONTROLLED COPY			
UNLESS OTHERWISE SPECIFIED DIMENSIONS ARE IN INCHES TOLERANCES: FRACTIONS ±1/32 ANGLES ±12° 3 PLACE DECIMALS ±.002 2 PLACE DECIMALS ±.01		THIS DRAWING AND THE DESIGN SHOW ARE THE PROPERTY OF OPTICAL CABLE CORPORATION AND MAY NOT BE USED AS THE BASIS FOR MANUFACTURE OR SALE WITHOUT SPECIFIC WRITTEN PERMISSION OF OPTICAL CABLE CORPORATION.	
DRAWN BY D.A.HOLBERT		DATE 7/16/01	DWG TITLE WALL MOUNT ASSEMBLY, FIBER OPTIC CABINETS, MINI, WMC12
CHECKED BY R.B.SMITH		DATE 11/15/01	
ENGINEER J.YANIK		DATE 7/16/01	SIZE C
APPROVED S.VAUGHN		DATE 11/15/01	
PREVIOUS DWG		DATE	DWG NO. C101622
NEXT DWG		FILENAME C101622A.DWG	SCALE NONE
			SHEET 1 OF 1
			REV A

