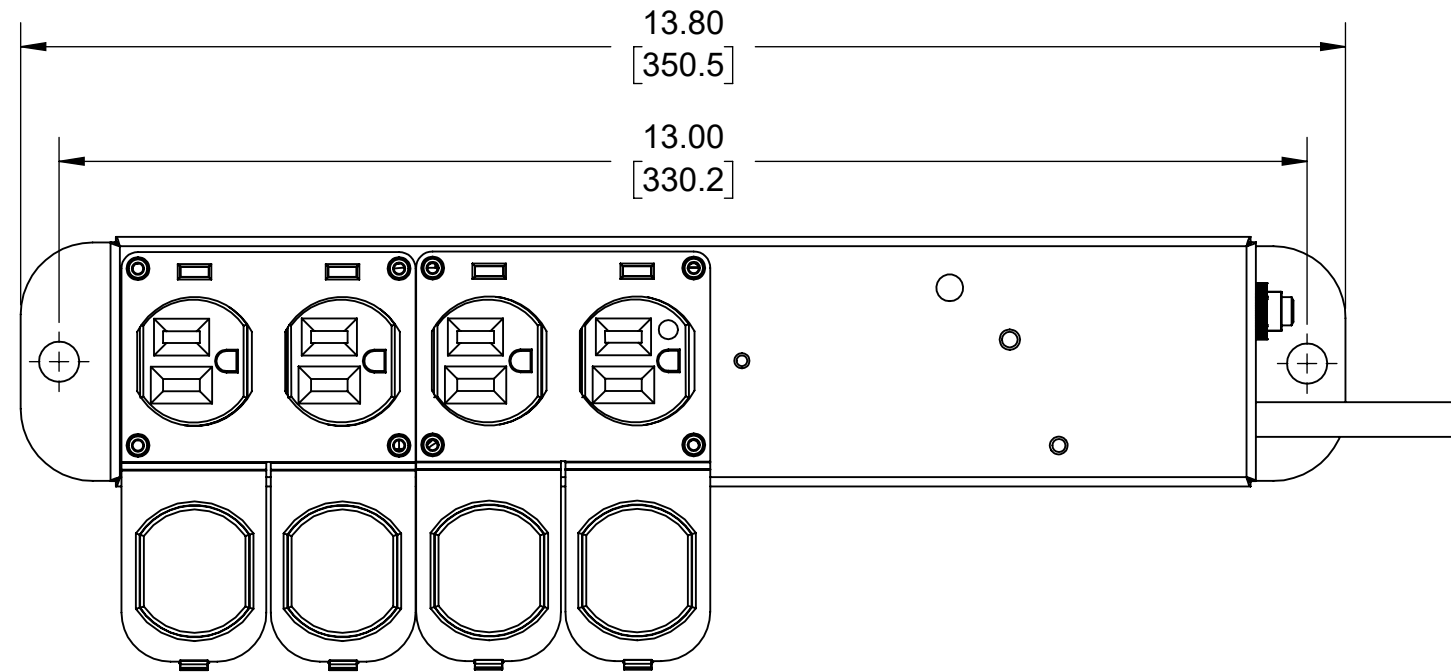
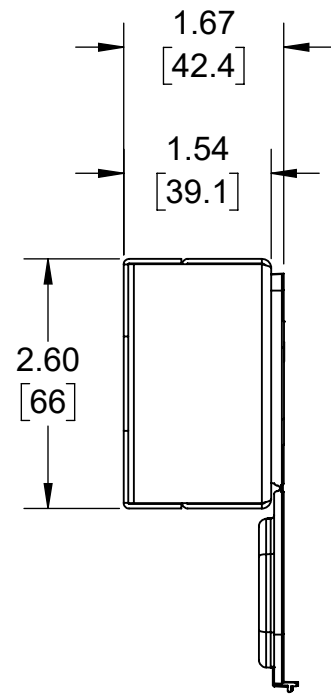


4

3

2

1



UPPER VALUES = INCHES
 LOWER VALUES = MM

CATALOG #5304M
NON-SURGE MEDICAL GRADE
4 OUTLET POWER STRIP
WITH LOCKING COVERS

UNLESS OTHERWISE SPECIFIED: DO NOT SCALE DRAWING. ALL DIMENSIONS ARE IN INCHES. ALL ANGLES ARE IN DEGREES.		LEVITON®		
TOLERANCES		TITLE: 4 OUTLET MEDICAL GRADE NON-SURGE CATALOG DWG		
INCH	METRIC	DWG NO. CATSTD-5304M-000-D01		
.XX ± .01 .XXX ± .005	.X ± .2 mm .XX ± .1 mm			
ANGLES: ± 1/2°		SIZE	SCALE:1:2	SHEET 1 OF 1
THIRD ANGLE PROJECTION 		B	Copyright 2019. Unpublished. All Rights Reserved.	REV 1
ALL PRINTED COPIES ARE UNCONTROLLED				

4

3

2

1