



► Models FB2LED, FB2LED-QC, and FB2LED-QC-S

Fireball® LED Warning and Status Indicator Lights

The FB2LED family consists of single and multicolor models that can be used for both long distance signaling and status indication. All models are available in 12-24VDC and 120-240VAC and feature three flash patterns (60FPM, simulated strobe, and steady).

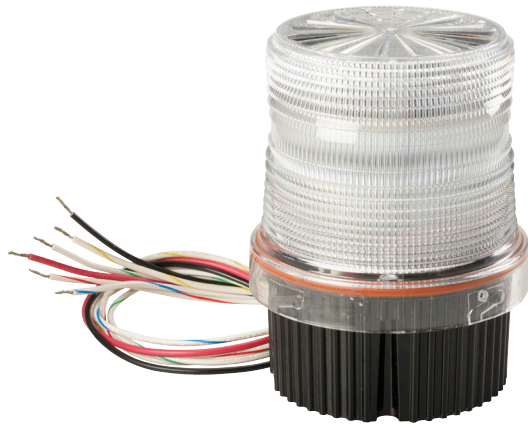
The zinc die-cast alloy base features an integrated 1/2-inch NPT pipe mount and three holes required for surface mount configurations. Vertical wall and corner mounting accessories are sold separately. The housing for FB2LED is designed to protect against corrosion, vibration, water- and dust-ingress and high pressure and temperature spray-downs. These models are ideal in harsh applications including industrial warning, process control, status indication, and food processing.

FEATURES

- Available in 12-24VDC or 120-240VAC
- Three flash patterns; 60FPM, simulated strobe, and steady
- Single color FB2LED warning lights are available with Amber, Blue, Clear, Green, or Red LEDs/lens
- Multicolor FB2LED-QC warning lights are available with a clear, fresnel lens, four colors (Amber, Blue, Green, and Red) in one unit
- Multicolor FB2LED-QC-S status indicator lights are available with a clear, opaque lens, four colors (Amber, Blue, Green, and Red) in one unit
- PLC compatible - works with standard PLC relay output cards or standard sourcing modules, and can be programmed and managed through PLC software
- 50,000 hour LED
- Integrated 1/2-inch NPT pipe and surface mount
- Indoor/outdoor use
- Type 4X, IP66 enclosure
- IP67, IP69K compliant
- CE certified (FB2LED-QC only)
- UL and cUL Listed

MODEL	VOLTAGE	OPERATING CURRENT	LIGHT OUTPUT	MOUNT
FB2LED-012-024*	12-24VDC	0.48-0.24 amps	300 cd	1/2" NPT Pipe/Surface
FB2LED-120-240*	120-240VAC 50/60Hz	0.03 amps	300 cd	1/2" NPT Pipe/Surface
FB2LED-QC-012-024	12-24VDC	0.32-0.17 amps	200 cd	1/2" NPT Pipe/Surface
FB2LED-QC-120-240	120-240VAC 50/60Hz	0.055 amps	200 cd	1/2" NPT Pipe/Surface
FB2LED-QC-012-024-S	12-24VDC	0.32-0.17amps	17 cd	1/2" NPT Pipe/Surface
FB2LED-QC-120-240-S	120-240VAC 50/60Hz	0.055 amps	17 cd	1/2" NPT Pipe/Surface

* Indicates color: (A) Amber, (B) Blue, (C) Clear, (G) Green, (M) Magenta, or (R) Red



Fresnel lens



Opaque lens

Single and Multicolor Warning Lights

Single color and Multicolor FB2LED warning lights feature a fresnel lens that is designed to focus and direct light output into a specific beam pattern. The concentrated light output allows the light to be seen at a far distance, making it ideal for long distance signaling.

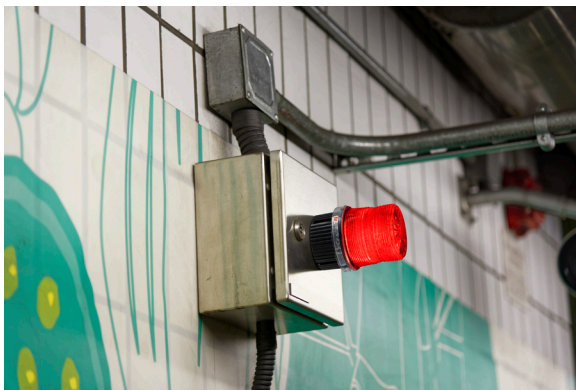
Single color FB2LED models feature a colored, fresnel lens are available in five colors (Amber, Blue, Clear, Green, Magenta, and Red) and feature Federal Signal's patented Power Select™ technology. PowerSelect allows a user to select one of three flash patterns without having to open the unit, by following a sequence when power is applied.

Multicolor FB2LED-QC models are available as warning lights and status indicators. The multicolor warning lights feature a clear, fresnel lens, four colors (Amber, Blue, Green, and Red) and three flash patterns per unit. Twelve color and flash pattern combinations are achieved by wiring selection.

Multicolor Status Indicator Lights

Multicolor FB2LED-QC-S status indicator lights feature an opaque lens that diffuses the LED light source to achieve a uniform appearance. This is ideal when a visual signal is needed in close proximity, such as work cells or HMI panels.

Multicolor status indicator lights feature a clear, opaque lens, four colors (Amber, Blue, Green, and Red), and three flash patterns per unit. Twelve color and flash pattern combinations are achieved by wiring selection.

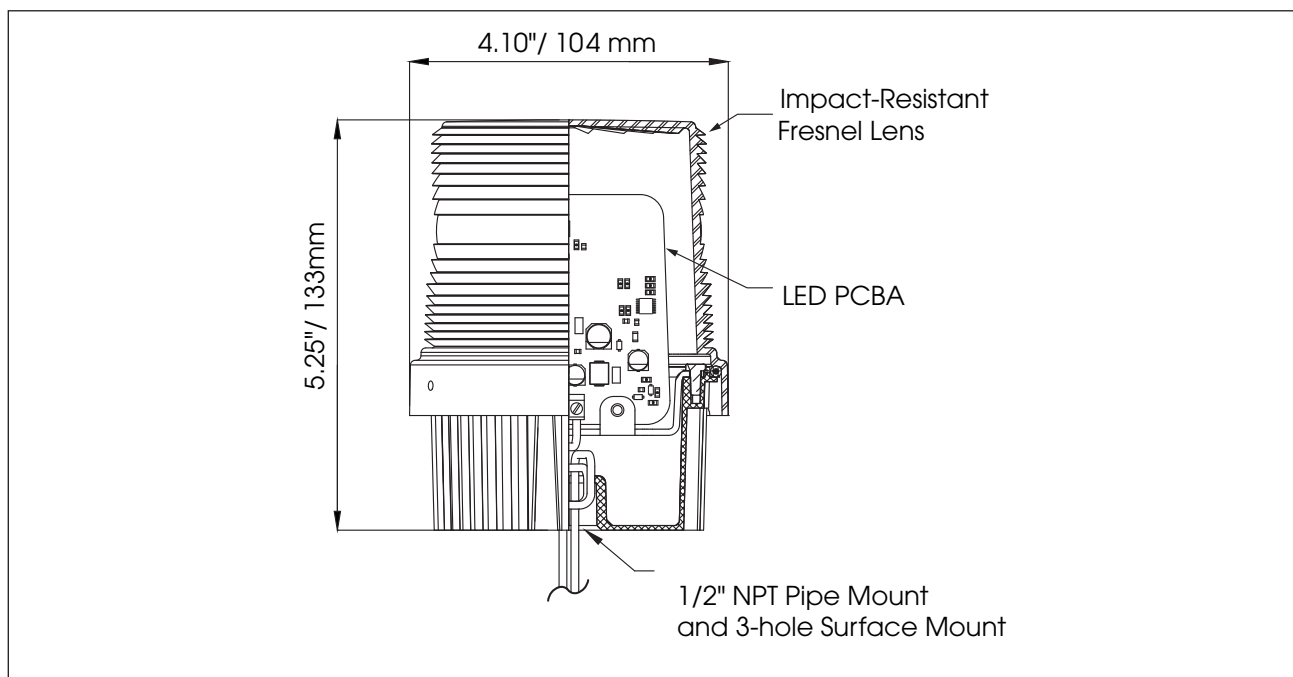


Single and Multicolor Warning Light is used for long distance signaling



Multicolor Status Indicator Light is used for proximity signaling

Fireball® LED Warning Light (FB2LED, FB2LED-QC, FB2LED-QC-SFB2LED, FB2LED-QC, FB2LED-QC-S)



SPECIFICATIONS

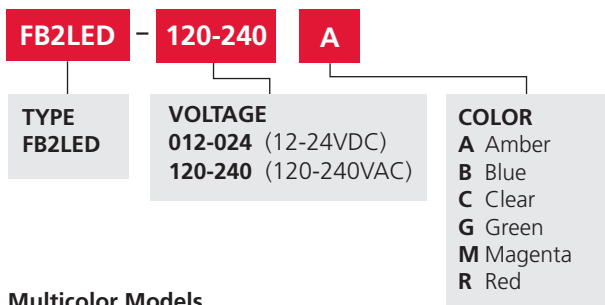
Lamp Life:	50,000 Hours	
Light Source:	LED	
Operating Temperature:	-49°F to 150°F	-45°C to 66°C
Net Weight:	1.3 lbs	0.59 kg
Shipping Weight:	1.5 lbs	0.68 kg
Height:	5.25"	133mm
Diameter:	4.10"	104mm

REPLACEMENT PARTS

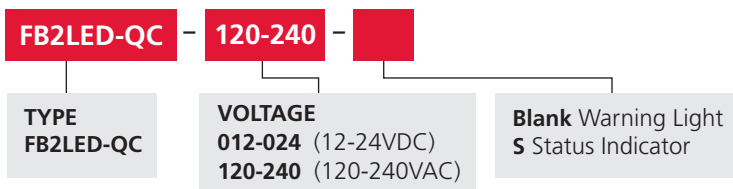
Description	Part Number
PCBA, 12-24VDC, for Single Color Amber, Green, or Red units	K20000401A
PCBA, 12-24VDC, for Single Color Blue, Magenta, or Clear units	K20000401A-01
PCBA, 120-240VAC, for Single Color Amber, Green, or Red units	K20000426A
PCBA, 120-240VAC, for Single Color Blue, Magenta, or Clear units	K20000426A-01
PCBA, 12-24VDC, for Multicolor units	K20000459A
PCBA, 120-240VAC, for Multicolor units	K20000458A

HOW TO ORDER

Single Color Models



Multicolor Models



OPTIONAL ACCESSORIES

Description	Part Number
Wire Guard	FB2G
Wall Mount Bracket, 4X Rated	LSWB
Corner Mount Bracket, 3R Rated	LCMB2*
FB2 Directional Light Kit	FB2-KIT-DL

* LCMB2 is 3R Rated. In combination with a 4X unit, the product defaults to 3R.



FB2G