



► Model RSL-LMB

# Radiant Steady, Bright Light Module



RSL-LMB offers a bright, steady LED light with high optical performance. Its modular design and simple functionality combined with bright LED's, make this stack light option the right choice for an advanced application.

RSL-LMB-F consists of a colored fresnel lens with a colored LED. The use of a colored lens with the same colored light source allows for optimization of the emission frequency, producing a rich intense light output.

RSL-LMB-C consists of a clear fresnel lens with colored LED for use in very bright environments or outdoor applications.

## FEATURES

- Modular design allows for up to 7 light modules; 6 light modules & 1 sound module (1 channel) or 5 light modules & 1 sound module (2 channels)
- Steady light effect with 6 bright LEDs
- Two lens types: Clear and Colored
- Compatible with 12-24VAC/DC or 120-240VAC\*
- Indoor/outdoor use
- PLC compatible
- Type 4X, IP65 enclosure when installed with both gaskets included on each module
- RoHS Compliant
- UL and cUL Listed, CE Certified

\*Voltage dependent on selected wiring module

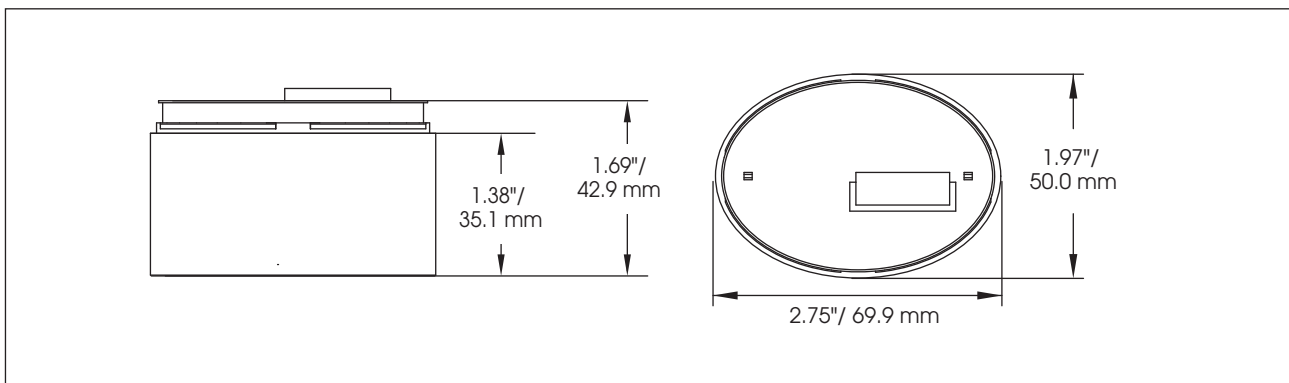


Wiring Modules

MODEL RSL - LMB	MAXIMUM OPERATING CURRENT* (mA)			
	24VDC	24VAC	120VAC	240VAC
<b>RSL-WML/RSL-WMH</b>	50	60	35	25
<b>RSL-WMLM/RSL-WMHM</b>	70	100	35	25

\*Maximum operating current listed is for one module. for multiple modules the current will have to be added together throughout the configuration to get the total maximum operating current.

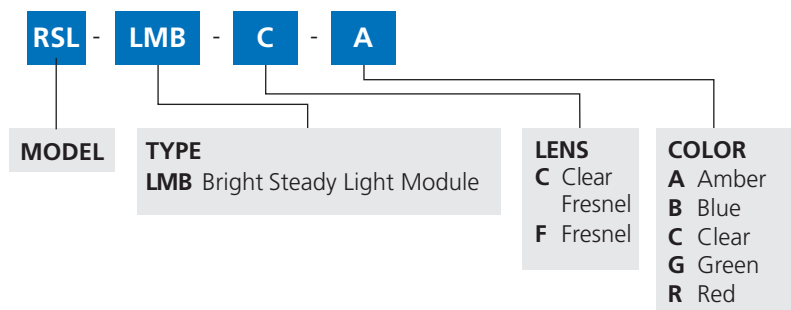
## Radiant Steady, Bright Light Module (RSL-LMB)



### SPECIFICATIONS

Operating Temperature:	-22° to 122°F	-30° to 50°C
Lamp Life:		50,000 Hours
Light Source:		LED
Net Weight:	1.41 oz	0.04 kg

### HOW TO ORDER



#### Stack Light Configuration Steps:

- 1: Select your mounting base
- 2: Select your wiring module based on:  
A: Voltage  
B: Steady or flashing effects
- 3: Select your light module(s) based on:  
A: Color  
B: Brightness  
C: Lens type  
D: Steady or flashing effects
- 4: Select your sound module (optional)

#### Order Example for a Flashing Radiant Stack Light with Flash Pattern Selection in the Wiring Module

Example of what is needed to order a model with 12VDC, Flashing, Amber & Red LEDs, Clear Lens, Wall Mount, Sixteen-Tone Sound Module, Black Housing

QTY	MODEL	DESCRIPTION
1	<b>RSL-BW-BK</b>	Wall Base, Black
1	<b>RSL-WMLM-012-024BK</b>	12-24VAC/DC Multi-Pattern Wiring Module, Black
1	<b>RSL-LMB-C-R</b>	Steady Light Module, Clear Lens, Red
1	<b>RSL-LMB-C-A</b>	Steady Light Module, Clear Lens, Amber
1	<b>RSL-SMM-BK</b>	Sixteen-Tone Sound Module, Black