

VISIX 2MP Indoor Dome Low Light Camera with 2.8 - 12mm Remote Focus Lens, IR, True WDR, and HDMI Output

The VX-2M-ID-RIAW is 2 MP indoor dome camera with built-in IR, a vari-focal lens, HDMI output, and H.265 compression, resulting in less stress on your network. Additionally, the VX-2M-ID-RIAW supports 2 video streams. This allows you to record a high-resolution, high-framerate stream, while using the alternate stream in lower resolution for live viewing, further cutting down pressure on your network.

Fully integrated into the entire VIGIL Software Suite, including VIGIL Client and View Lite II mobile apps, you can use the in and out audio lines for bidirectional communication as well use of the alarm input and output. This allows users to remotely receive notifications of alarms, trigger a relay, and both talk and listen to their site from anywhere in the world.



Typical Use Cases



RETAIL



**SMALL/MEDIUM
BUSINESS**



**K-12
EDUCATION**

Key Features and Benefits

Lens	2.8mm - 12mm Remote Focus
Resolution (Megapixels)	2
H.264/H.265/MJPEG	✓
Wide Dynamic Range	✓
Infrared Range	30m
HDMI Output	✓

What's in the Box

**Mount Bolt & Nut
Mount Plate
Moisture Absorber & Guide**

Camera

Image Sensor:	1/2.8" 2.1M CMOS (Sony Starvis)
Lens	2.7mm-12mm, F1.4
Motorized?	Yes
Angle of View	D:41°~113°, H:35°~96°, V:20°~51°
Min Illum	0.02Lux, 0Lux with IR (F1.4)
IR Range	30m
Shutter Time	1/15 ~ 1/32000
Day/Night	TDN (True Day & Night)
WDR	WDR - 120dB

Compression Standard

Video Compression	H.264, H.265, MJPEG
Bit Rate	100Kbps ~ 10Mbps
Video Streams	1080p60 + D1(704x480 or 704x576) p30 with H.264, H.265 + MJPEG

Image

Max Image Resolution	1920(H) X 1080(V)
Frame Rate	30fps

Functions

Alarm Triggers	Motion Alarm, Network disconnection, Temperature critical
Security Protocol	HTTPS(SSL), IP filtering, 802.1x, Digest Authentication TCP/IP, UDP, AutoIP, RTP(UDP/TCP), RTSP, NTP, HTTP, HTTPS, SSL, DNS, DDNS, DHCP, FTP, SMTP, ICMP, SNMPv1/v2/v3(MIB-2), ONVIF CGI API, ONVIF (Profile S)
System Compatibility	

Physical

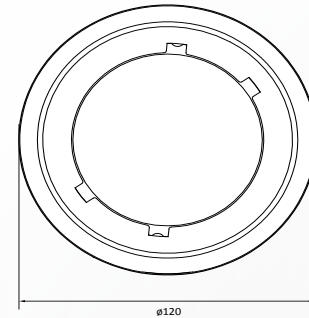
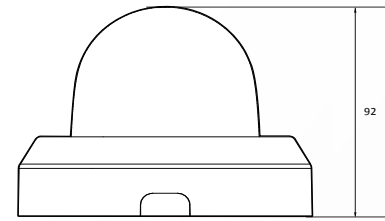
Operating Conditions	-30°C ~ 50°C (-22°F ~ 122°F)
Humidity	10-90% RH (non-condensing)
Housing Material	Plastic
Dome Material	Lexan 143R
Dimensions (D x H)	120 mm x 92.4 mm
Weight	0.3kg
Local Storage	128GB Max. Micro SD / SDHC / SDXC

Electrical

Power Supply	DC12V PoE IEEE 802.3af Class3
Power Consumption	DC12V Max 8W PoE Max 10W

Interface

Communication	RJ45(10/100BASE-T)
Alarm Input	1
Alarm Output	1
Video Output	1 HDMI
Audio Input	1[1.0Vms, 3K ohm]
Audio Output	1



Unit: mm



Certifications and Compliance

FCC Part 15, Subpart B, Class A
CAN ICES-3 (A)/NMB-3(A)
UL and ULC Safety
CE
NDAA Compliant

Part Number

Part Number	VX-2M-ID-RIAW
-------------	---------------

Warranty

Four (4) years

Recommended Mounts

VX-WM-BW06	Wall Mount
------------	------------