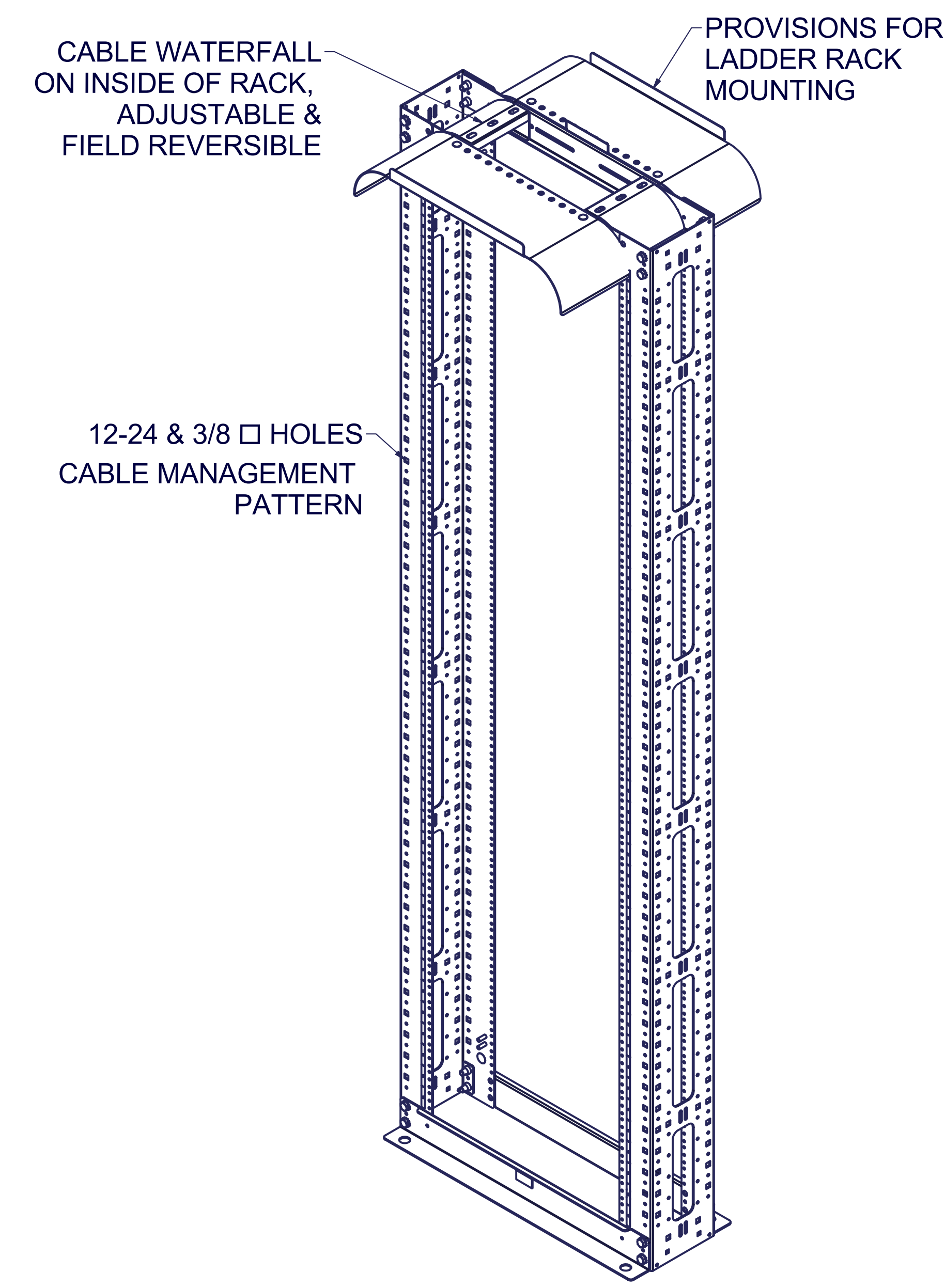
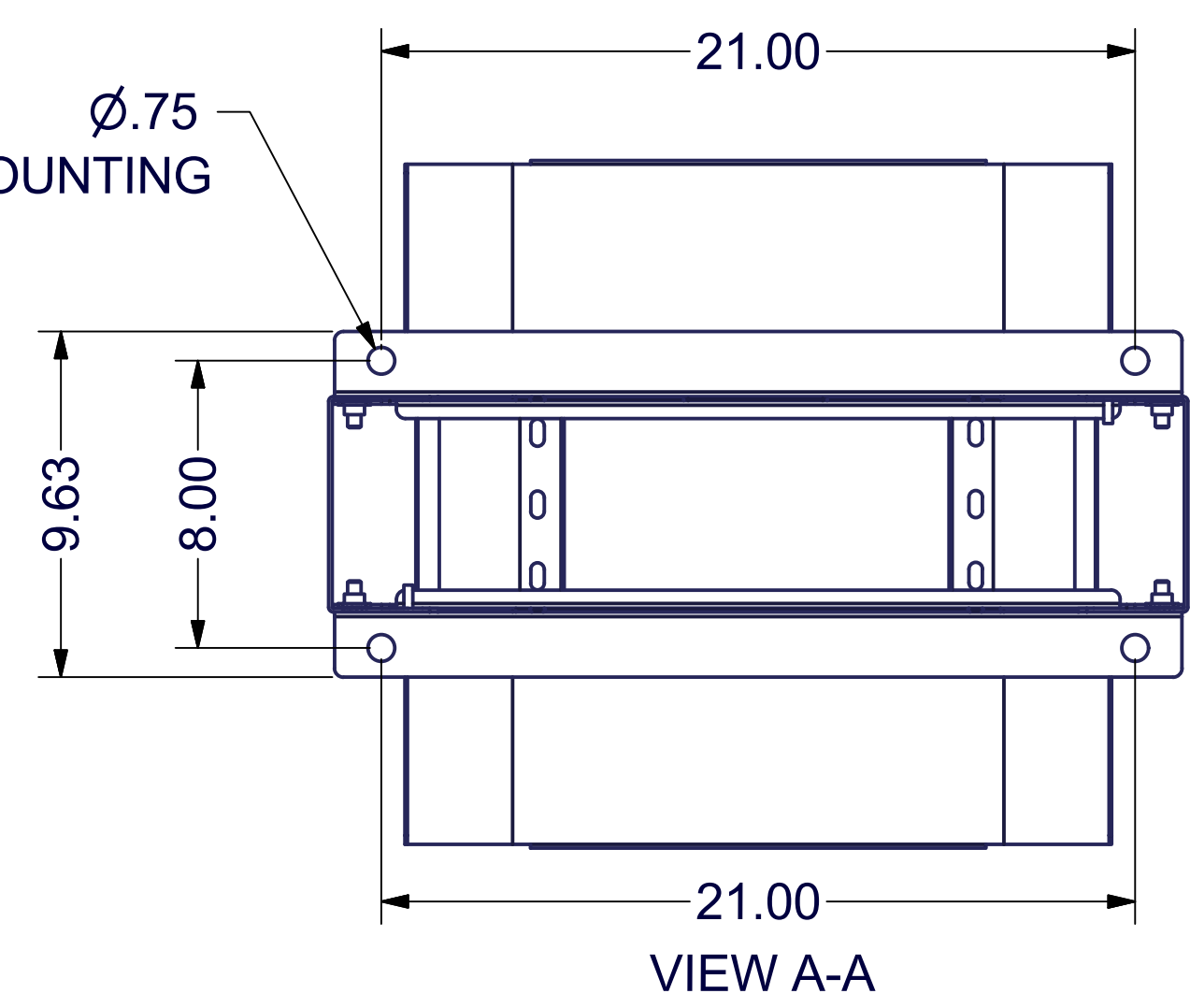
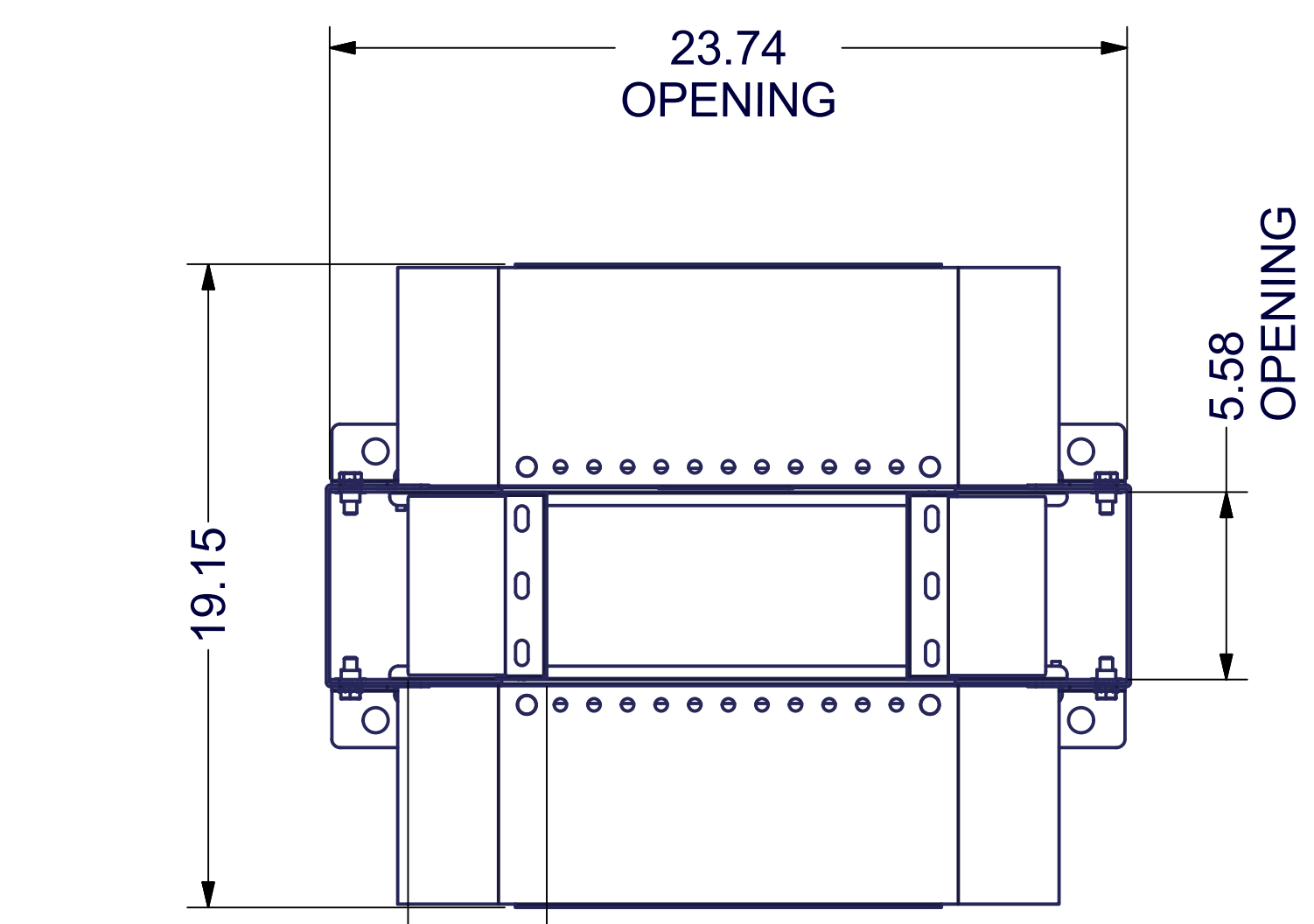
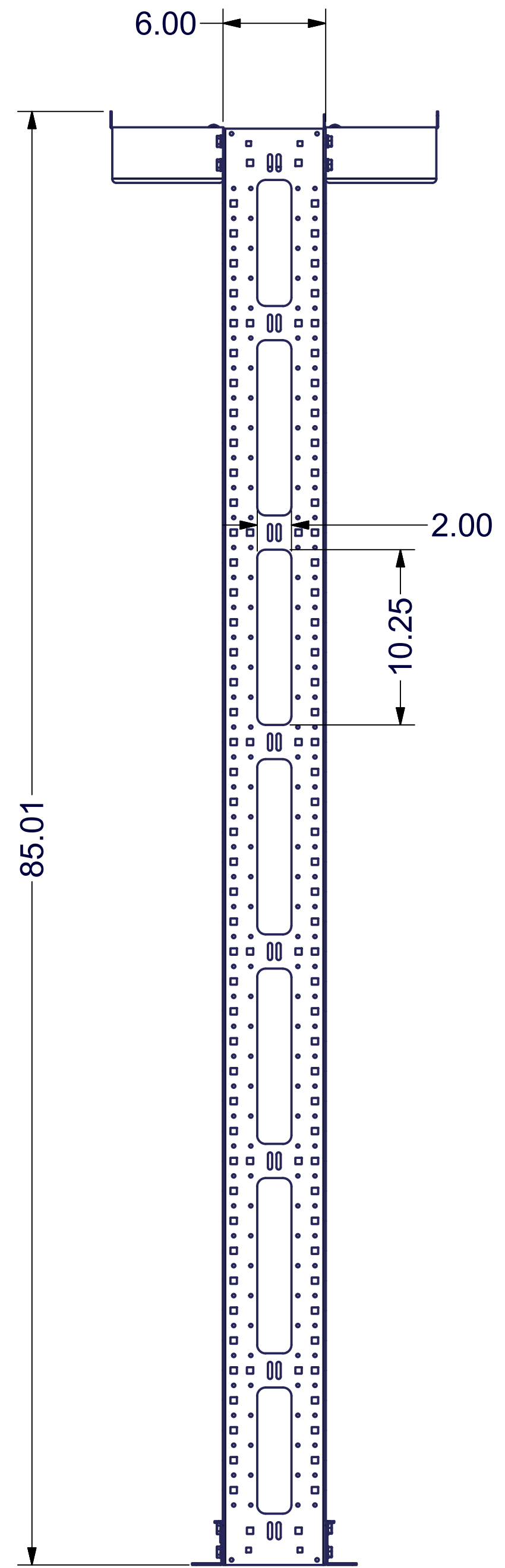
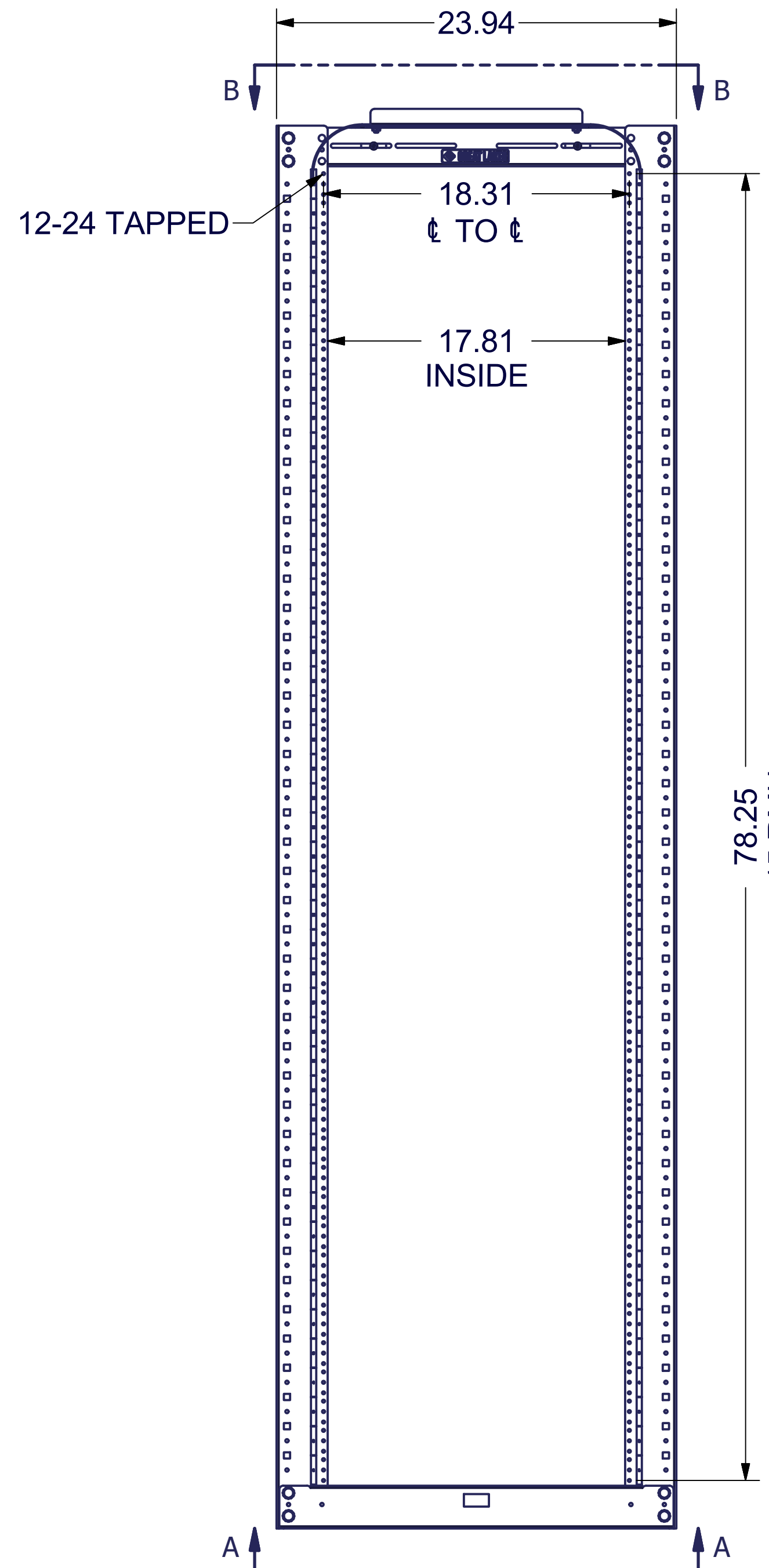


8 7 6 5 4 3 2 1



SPECIFICATIONS :
DIMENSIONS : 84.0"H x 24.0"W x 6.0"D : SHIPS FLAT UNASSEMBLED
RACK SPACES : 45 RMU w/ RMU INDICATORS, 19" EIA 310-E COMPLIANT.
RAILS RATED AT : 1500 lbs.
COLOR : DURABLE TEXTURED POWDER COATING
BOLT TOGETHER CONSTRUCTION :
 VERTICAL CHANNEL RAILS , #12 GA. C.R.S.
 BOTTOM HORIZONTAL FEET, #11 GA. C.R.S.
 TOP WATERFALL HORIZONTAL SUPPORT, #14 GA. C.R.S.
 (16) 3/8-16 x 3/4" LG BOLTS AND NUTS
HARDWARE : PACKAGE OF QTY-50; #12-24 SCREWS, INCLUDED.
 (2) PACKAGES OF QTY-10; CM-26 3.5" x 5" PLASTIC CABLE RINGS

EST. WEIGHT :
N/A



INTERPRET DRAWING PER ASME Y14.5M-1994
 DIMENSIONAL LIMITS APPLY
 AFTER APPLICATION OF FINISH
 DRAWING NOT TO SCALE
 TOLERANCE UNLESS OTHERWISE NOTED:
 ANGULAR +/- 1'
 .XXXX +/- .010
 .XXX +/- .015
 .XX +/- .030
 .X FOR REF. ONLY
 UNLESS OTHERWISE SPECIFIED
 ALL DIMENSIONS ARE IN INCHES

NOTICE:

Use of this document is subject to a confidentiality and nondisclosure agreement with Great Lakes Data Racks & Cabinets and may not be reproduced, disclosed or utilized in whole or in part without prior written authorization from Great Lakes.

PART NUMBER:
MATERIAL TYPE:
MATERIAL GAUGE:
FINISH:
DRAWN: CND
CHECKED & APP.:

TITLE
45RU x 84"H x 6"D CABLE MANAGEMENT RACK, TOP LEVEL ASSEMBLY
 GREAT LAKES DATA RACKS & CABINETS
 P.O. BOX 551 EDINBORO, PA 16412
 PHONE (814) 734-7303 FAX (814) 734-3907
 E-MAIL info@greatcabinets.com
 DWG NO: **CMR-4506-1224**
 REV: **8**
 SHEET: 1 OF 1

8 7 6 5 4 3 2 1