

4901, 4902 Deadlatch Strikes



ALUMINUM

HOLLOW
METAL

WOOD

4901, 4902 Deadlatch Strikes add aesthetics and finish to strike cutouts in jambs.

Function

Designed for use in conjunction with 4300, 4500, 4700, and 4900 Series Deadlatches, these strikes offer a choice of mounting methods; a backup mounting plate included with the 4901 and 4902 allows installation flush in a hollow section jamb. Use 4506-02 ANSI strike for wood or steel jambs. All strikes are unhandled, suitable for right or left hand doors. Strike plate material is stainless steel.

4901-01

Standard slat strike includes molded black plastic dust box and closure of the unused lower strike opening, with steel mounting plate. Long face is designed to span strike area of MS® deadlocks with which the deadlatch is interchangeable.

4901-02

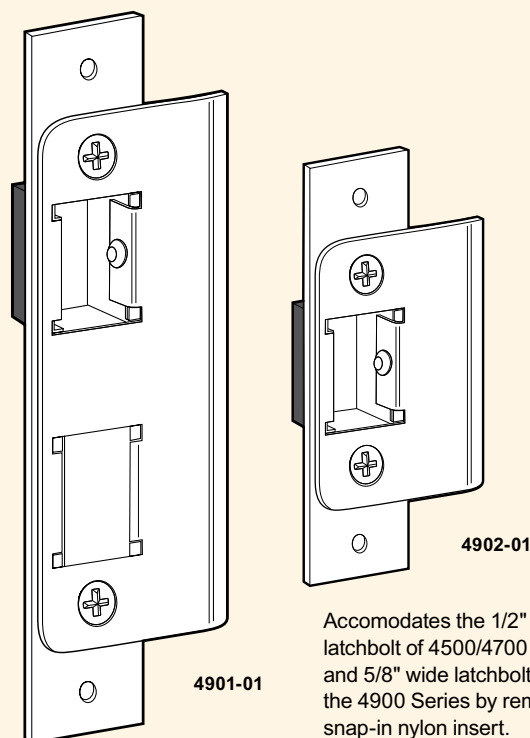
Same as 4901-01, except with radiused strike plate, for nose of opposite door when latching pairs.

4902-01

Standard flat strike furnished with the 4900 Series Heavy Duty Deadlatches. Includes molded black plastic dust box and steel mounting plate. Short face design.

4902-02

Same as 4902-01, except with radiused strike plate, for nose of opposite door when latching pairs.

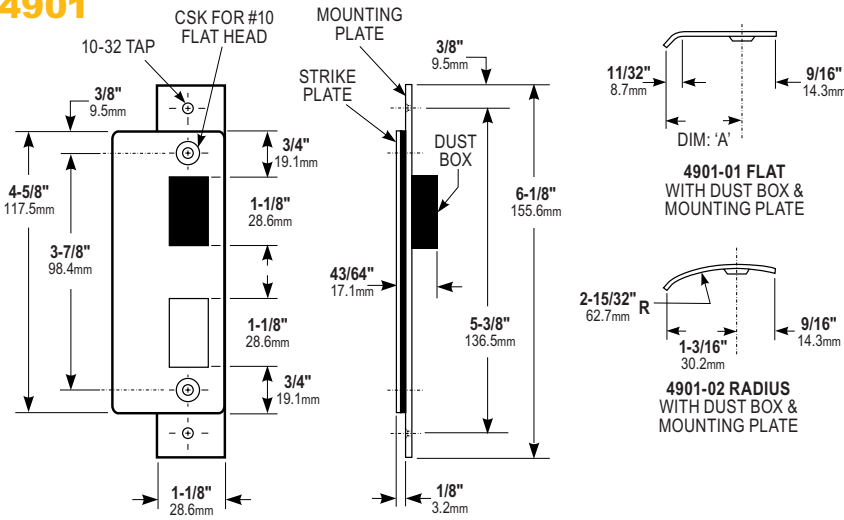


Accommodates the 1/2" wide latchbolt of 4500/4700 latches and 5/8" wide latchbolt of the 4900 Series by removing snap-in nylon insert.

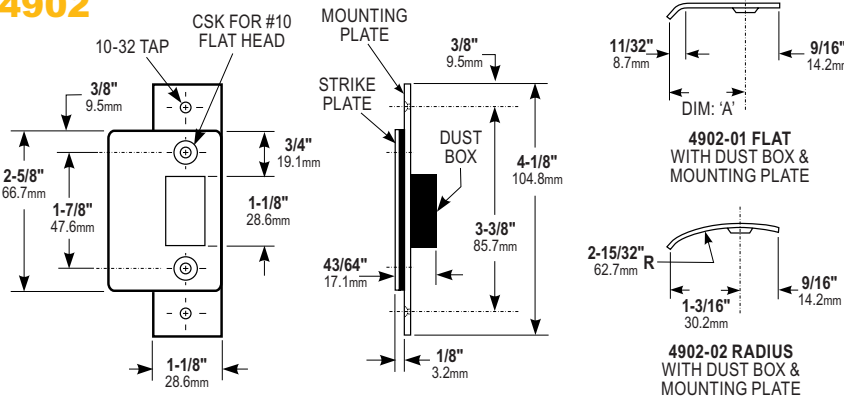
All measurements are approximate and are provided for informational purposes only. Refer to the product Installation Instructions.

Dimensions

4901

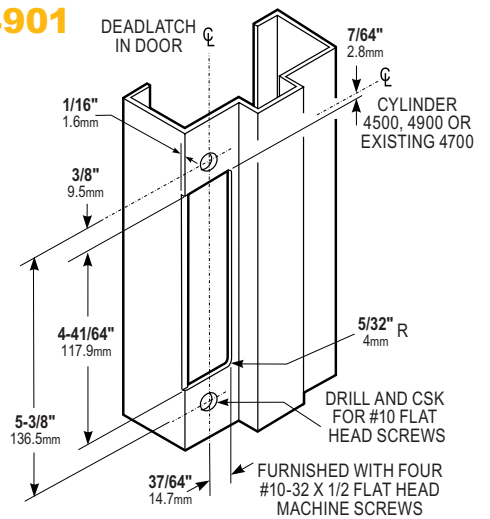


4902

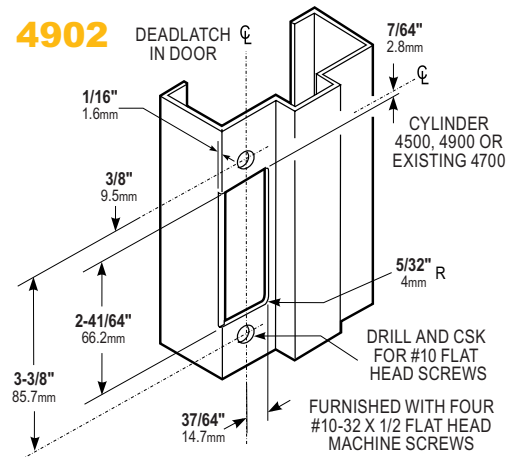


Installation

4901



4902



4901, 4902 DEADLATCH STRIKES

Specify quantity and the following information. Order related products separately.

	STRIKE TYPE	FACEPLATE SHAPE			
490	1	-02			
		Standard Lip			
	1 Long	01 Flat			
	2 Short	02 Radius			
		Long Lip for Center Hung Door			DIM. 'A'
		03 2-1/4" Wide Jamb	13 3-1/2" Wide Jamb	1-1/8	1-3/4
		05 2-1/2" Wide Jamb	15 3-3/4" Wide Jamb	1-1/4	1-7/8
		07 2-3/4" Wide Jamb	17 4" Wide Jamb	1-3/8	2
		09 3" Wide Jamb	19 4-1/4" Wide Jamb	1-1/2	2-1/8
		11 3-1/4" Wide Jamb	21 4-1/2" Wide Jamb	1-5/8	2-1/4

COMPATIBLE PRODUCTS This product is compatible with the following products:

Deadlatches

4300 eLatch Electrified Deadlatch
4500 Series Standard Duty Deadlatch

4900 Series Heavy Duty Deadlatch
Note that 4700 Deadlatch is discontinued and replaced by 4900 Deadlatch.