

AVC-NDB51M **AI**

NDA
COMPLIANT | CE | FC

5MP H.265 MOTORIZED BULLET NETWORK CAMERA
Active Deterrence 24/7 Color

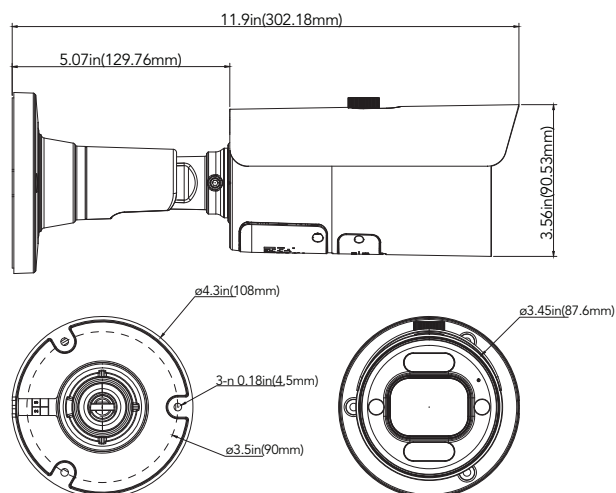


OVERVIEW

- 5MP (2880x1620) H.265+/H.264+/MJPEG
- Max. resolution: 2880x1620
- Full Color / Active Deterrence Camera
- 2.8-12mm Motorized Lens (F1.2)
- 3D DNR, WDR, HLC, BLC, ROI encoding
- Intelligent Analytics
- White Light LED / Strobe (Blue & Red) Light
- Built-in MIC / Speaker
- Built-in micro SD card slot, up to 512GB
- IP67 ingress protection
- DC12V/PoE power supply
- Support remote monitoring by AVYCON ONE (Mobile APP) and AVYCON CMSONE (CMS)

DIMENSIONS

Unit : inch(mm)



OPTIONAL ACCESSORIES



AVM-JB-BE-L1
JUNCTION BOX



AVM-JB-BE-S2
JUNCTION BOX



AVM-HCM-E-L1
CEILING MOUNT
WITH JUNCTION BOX



AVM-HWM-E-L1
WALL MOUNT
WITH JUNCTION BOX



AVM-CRM-A1
CORNER
MOUNT BRACKET



AVM-POM-A1
POLE
MOUNT BRACKET



AVM_JB_DUAL_UL1
DUAL JUNCTION BOX

SPECIFICATIONS

VIDEO	
Imaging Device	1/2.7"
Effective Pixels	5MP 2880(H)x1620(V)
Scanning System	Progressive CMOS
Min. Illumination	Color 0.002lux @ F1.0(AGC ON); B/W 0 lux @ IR ON
LENS TYPE	
Focal Length (Zoom Ratio)	2.8-12mm
Max. Aperture Ratio	F No. 1.2
Angular Field of View	H: 113(W)-35(T)°, V: 59(W)-20(T)°, D: 138(W)-41(T)°
Min. Object Distance	1.5m
Lens Type	Ø16.7
OPERATIONAL	
IR LED	4
WarmLight	4
Red Blue Light	2 (1 Red & 1 Blue)
IR Viewable Length	Up to 98 (30m)
WarmLight Viewable Length	Up to 82 (25m)
Type of complementary light	Default warm light, Switchable infrared light
Motion Detection	Off/On (8 Level)
Wide Dynamic Range	WDR
Digital Noise Reduction	3D DNR
Image Setting	Full Color Mode / Day & Night Mode / Smart Illumination
White Balance	Auto/Manual
Electronic Shutter Speed	1/5 ~ 1/20000s
On-Board Storage	Micro SD slot, up to 512GB
Alarm	1 input, 1 output
Audio	1 input, 1 output, Built-in microphone & Speaker
Custom Voice	Yes
Hardware Reset	Yes
Analytics	Face Detection (FD), Pedestrian & Vehicle Detection (PD&VD), Intrusion Detection (ID), Line Crossing Detection (TD), Tripwire Counting (TC), Stationary Object Detection (OBJ), Heat Map (HM), Crowd Density Detection (CD), Queue Length Detection (QD), License Plate Detection (LPR), Rare Sound Detection (RSD), Tripwire Count (TC), Queue Length Detection (QD), Heat Map (HM), Loitering Detection (LD), Region Entrance / Exiting Detection
NETWORK	
Ethernet	RJ45(10/100BASE-T)
Video Compression Format	H.265/H.264
Resolution	Main Stream@30fps 5MP(2880x1620), 4MP(2560X1440), 3MP(2304x1296), 1080P(1920x1080), 720P(1280x720) Sub Stream@30fps 720P(1280x720), VGA(640x480), QVGA(320x240) Mobile Stream@30fps VGA(640x480), QVGA(320x240)
Video Quality Adjustment	256Kbps ~ 8Mbps
Bitrate control method	CBR/VBR
IP	IPv6
Protocol	TCP/IP, HTTP, DHCP, DNS, DDNS, RTP/RTSP, SMTP, NTP, UPnP, SNMP, HTTPS, FTP
Security	IP address filter; Complicated password; Authenticated username and password
Application Programming Interface	ONVIF (Profile S / G / T / M)
Web Viewer	IE10/11, Safari V12.1 above, Firefox V.52 above, Google chrome V.57 above, Edge V.79 above
ENVIRONMENTAL	
Operating Conditions	-31~+140°F (-35~+60°C) / less than ≤ 90% RH
Ingress Protection	IP67
ELECTRICAL	
Input Voltage / Current	D12V/POE(IEEE802.3af)
Power Consumption	DC12V: max 9.8W; POE (48V): max 12.2W
MECHANICAL	
Material	Metal