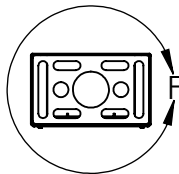
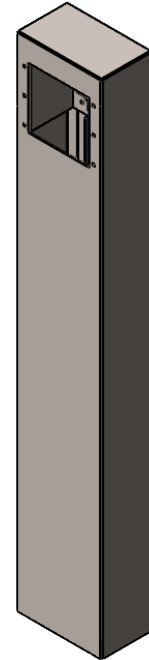
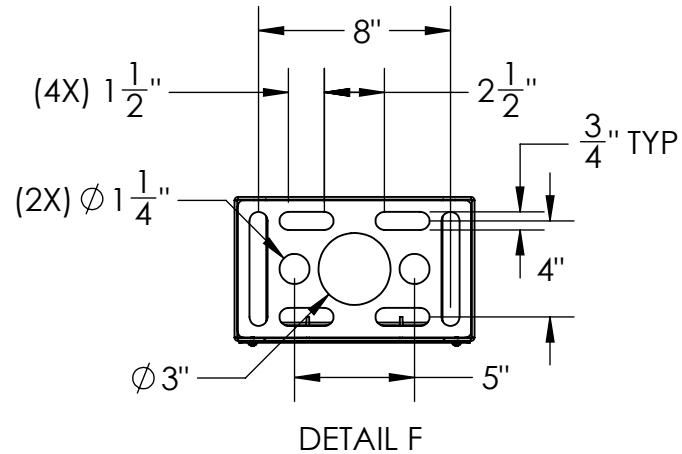
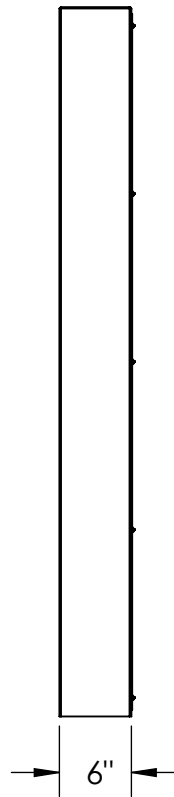
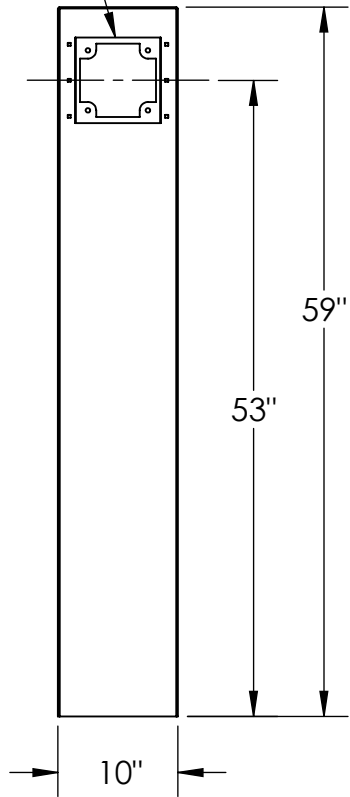


KNOX BOX 4400  
FLUSH MOUNT



NOTES:

1. MOUNTS AN 4400 SERIES KNOX BOX UNIT.
2. MATERIAL OF CONSTRUCTION IS 304SS BRUSHED #4 FINISH.



PEDESTALPRO.COM  
1-800-660-3072

UNLESS OTHERWISE SPECIFIED:

DIMENSIONS ARE IN INCHES  
TOLERANCES:  
FRACTIONAL  $\pm 1/32$   
ANGULAR:  $\pm 2^\circ$   
TWO PLACE DECIMAL  $\pm 0.010$   
THREE PLACE DECIMAL  $\pm 0.005$

INTERPRET GEOMETRIC  
TOLERANCING PER:  
ASME Y14.5 -2009

NAME	DATE
DRAWN	
CHECKED	

PROPRIETARY AND CONFIDENTIAL

THE INFORMATION CONTAINED IN THIS DRAWING IS THE SOLE PROPERTY OF PEDESTALPRO LLC. ANY REPRODUCTION IN PART OR AS A WHOLE WITHOUT THE WRITTEN PERMISSION OF PEDESTALPRO LLC IS PROHIBITED.

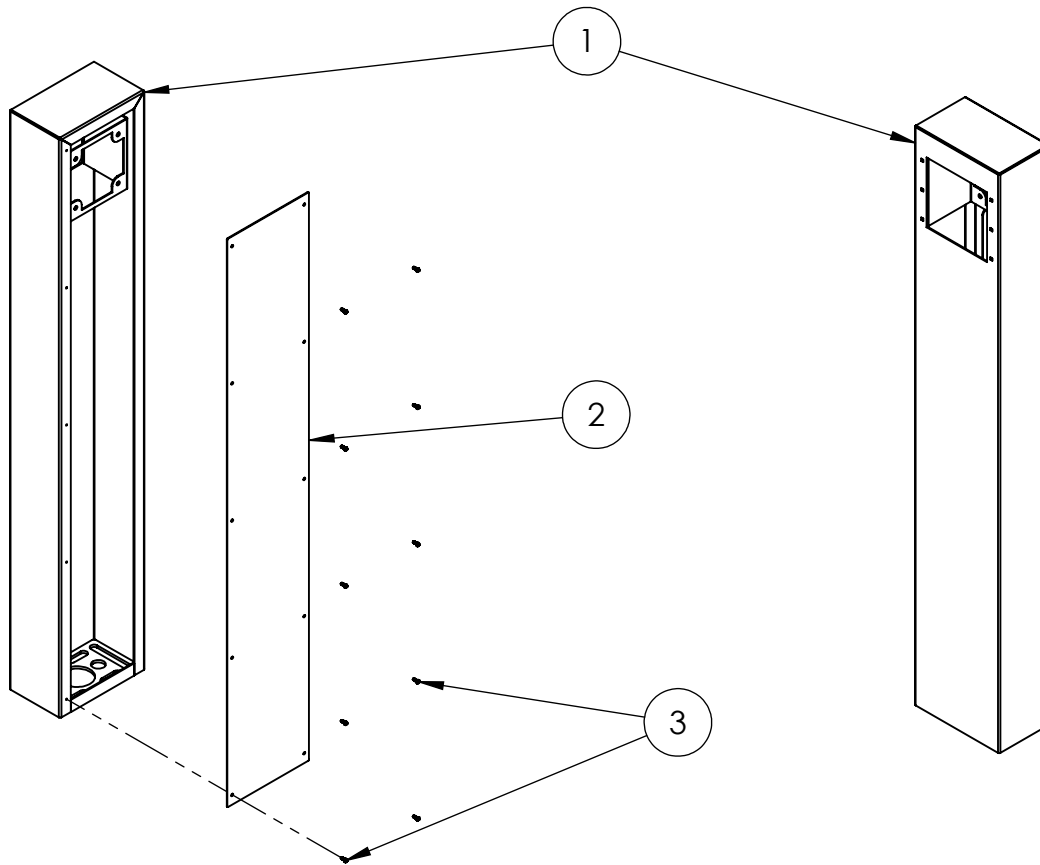
TITLE:  
**INSTALLATION**

Wednesday, October  
31, 2018 11:52:18 AM

WEIGHT:

SIZE	PART NO.	REV
<b>A</b>	106CAB-KNOX-01-304	<b>B</b>
NO SCALE		SHEET 1 OF 10

ITEM NO.	PART NUMBER	DESCRIPTION	QTY.
1	106TOW-PRO-001-304 MAIN BODY	304SS TOWER WELDMENT	1
2	106CAB-KNOX-01-304 ACCESS DOOR	304SS ACCESS DOOR	1
3	---	8-32 SS BUTTON HEAD SCREW	10
8	12GA STIFFENER	STIFFENER	1



PEDESTALPRO.COM  
1-800-660-3072

UNLESS OTHERWISE SPECIFIED:

DIMENSIONS ARE IN INCHES  
TOLERANCES:  
FRACTIONAL  $\pm 1/32$   
ANGULAR:  $\pm 2^\circ$   
TWO PLACE DECIMAL  $\pm 0.010$   
THREE PLACE DECIMAL  $\pm 0.005$

INTERPRET GEOMETRIC  
TOLERANCING PER:  
ASME Y14.5 -2009

NAME	DATE
DRAWN	
CHECKED	

**PROPRIETARY AND CONFIDENTIAL**  
THE INFORMATION CONTAINED IN THIS  
DRAWING IS THE SOLE PROPERTY OF  
PEDESTALPRO LLC. ANY REPRODUCTION  
IN PART OR AS A WHOLE WITHOUT THE  
WRITTEN PERMISSION OF PEDESTALPRO LLC  
IS PROHIBITED.

TITLE:		106CAB-KNOX-01-304	
Wednesday, October 31, 2018 11:52:18 AM	SIZE <b>A</b>	PART NO. ASSEMBLY	REV <b>B</b>
WEIGHT:	NO SCALE	SHEET 2 OF 10	