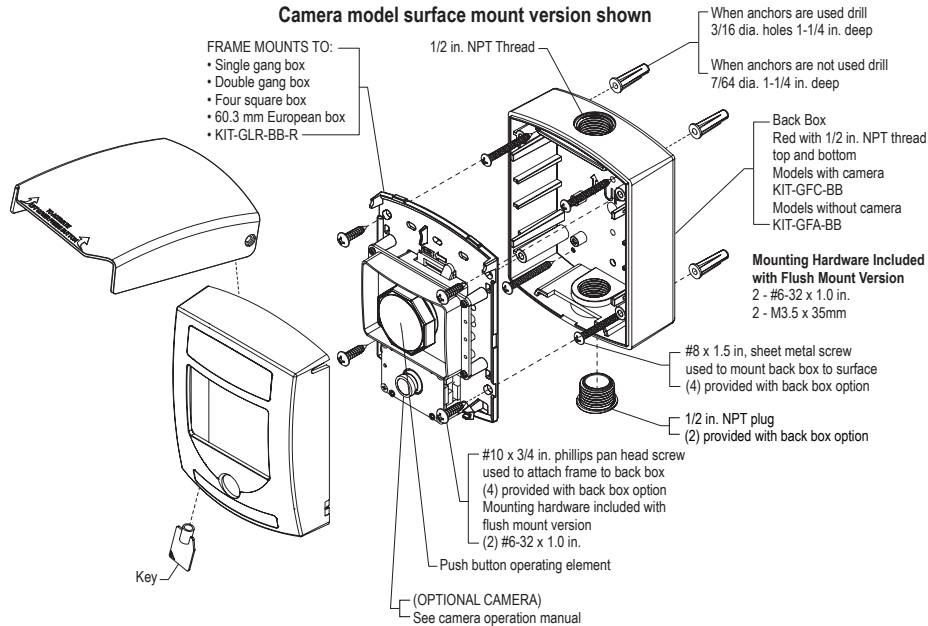




Installation Components

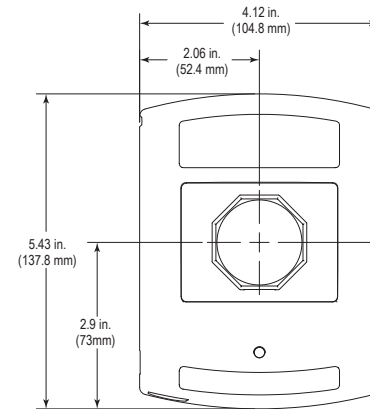


Mounting Options

Recommended mounting height is measured from the center of the push button to the floor level:

- NFPA 72: 42 in. - 48 in.
- ULC S524: 1.35 m - 1.5 m
- BS5839 1.2 m - 1.6 m

NOTE: verify and comply with local AHJ

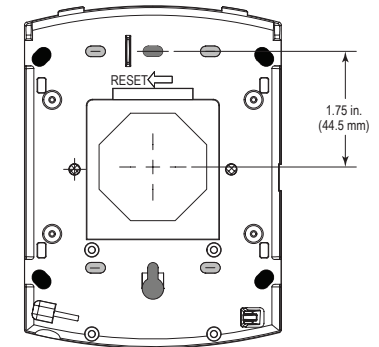


Frame mounting options recommended mounting height above finished floors:

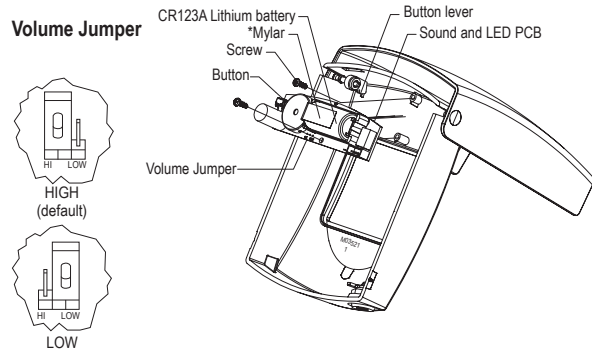
- Not less than 3.5 ft. (1.1 m.)
- Greater than 4.5 ft. (1.37 m.)

Flush mount options

MOUNTING HOLE KEY	SCREW SIZE REQUIRED
KIT-GLR-BB-GY	#10 x 3/4 in. pan-sms
Four square box	#8-32 x 1.0 in. machine screw
Double gang box	#6-32 x 1.0 in. machine screw
60.3mm European box	M3.5 x 35mm machine screw
Single gang box	#6-32 x 1.0 in. machine screw



Pre Activation Alarm



Relay Specs

- Relay Terminal Rating
- DC: 30VDC, 1A
- AC: 30VAC, 0.3A

KIT-321 (Relay Wire Harness)

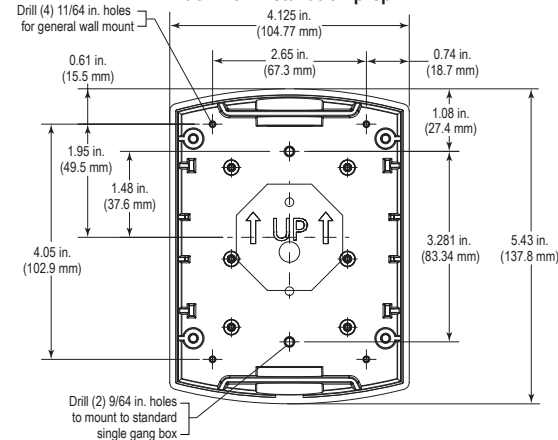
Not included

- Yellow: NO
- Blue: COM
- Green: NC
- Red: External Power
- Black: Ground

*Remove Mylar for sounder activation

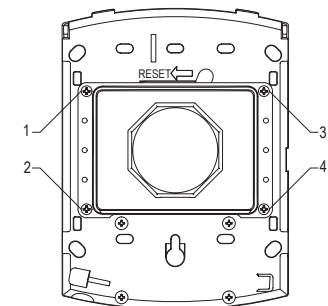
WARNING The Global Fire alarm initiating station has been tested and listed to UL38 and ULC S528. It is important to read, understand and follow all instructions provided with this product. It is the installer's responsibility to comply with NFPA72 and 101, NEC, mounting specifications according to ADA, CSA C22.1 Part 1 Canadian Electrical Code, CAN/ULC-S524 Installation Fire Alarm Systems, and other applicable fire and electrical codes. Do not paint or alter the factory finish in any manner. After installation and testing are complete, provide a copy of this manual to all personnel responsible for testing and maintenance of this product. Regular testing of these products, in accordance to NFPA standards, is required. Safety Technology International is not responsible for improperly installed, tested or maintained devices.

Back Box Installation prep.



European Electrical Box

1. Remove four (4) screws to access mounting positions.
2. Mount the plate to an electrical box using two (2) M3.5 screws.
3. Place mechanism assembly on to the frame.
4. Insert four (4) screws.



ATTENTION La station d'initiation de l'alarme incendie Global Fire a été testée et répertoriée sur UL38 et ULC S528. Il est important de lire, comprendre et suivre toutes les instructions fournies avec ce produit. Il incombe à l'installateur de se conformer aux normes NFPA72 et 101, NEC, aux spécifications de montage selon ADA, CSA C22.1 Partie 1 Code canadien de l'électricité, CAN/ULC-S524 Installation des systèmes d'alarme incendie, et autres codes de prévention des incendies et codes électriques applicables. Ne pas peindre ou modifier la finition d'usine de quelque manière que ce soit. Une fois l'installation terminée, fournir une copie de ce manuel à tout le personnel responsable des essais et de la maintenance de ce produit. Des tests réguliers de ces produits, conformément aux normes NFPA, sont nécessaires. Safety Technology International n'est pas responsable des dispositifs installés, testés ou maintenus de manière incorrecte.

WARNING: This product can expose you to chemicals including Dichloromethane, which is known to the State of California to cause cancer, and Bisphenol A (BPA), which is known to the State of California to cause birth defects or other reproductive harm. For more information go to www.P65Warnings.ca.gov.

Three year warranty or a one year limited warranty (from date of purchase) on most products. See website for details. Electronic warranty form at www.sti-usa.com/wc14.



GF FIRE SERIES

All specifications and information shown were current as of publication and are subject to change without notice.

SIDE 1



GFIS OCT2024



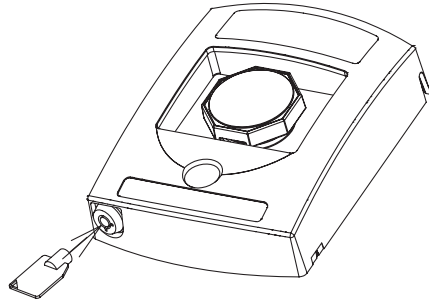


Mounting and Electrical Info

To unlock or lock cover

Insert security key

1. To unlock, rotate counterclockwise.
2. To lock, rotate clockwise to secure cover.

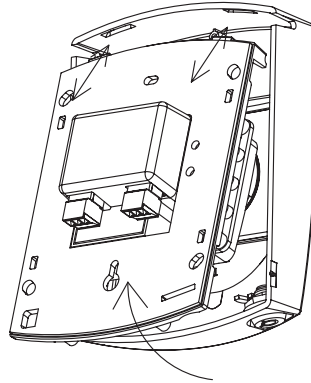


To remove cover

Pull bottom of unit out and pivot cover off tabs on frame.

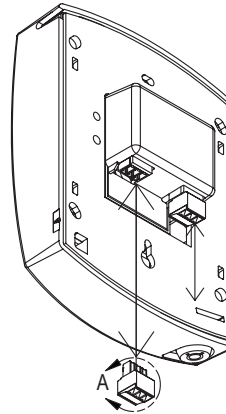
To install cover

1. Insert tabs on the inside top of cover with slots on the frame.
2. Pivot cover down and snap bottom onto frame.



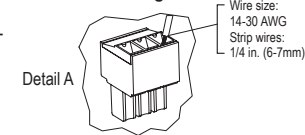
Terminal configuration

- INDOOR USE ONLY
- 14°F to 120°F (-10°C to 49°C)
- Two (2) quick connect contact blocks DPDT
- Contact rating: 5A@ 30VAC, 5A@ 30VDC



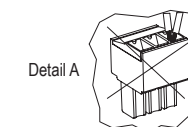
CORRECT METHOD

Insert single lead



INCORRECT METHOD

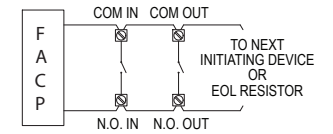
Inserting multiple leads



PCB marked for visual reference

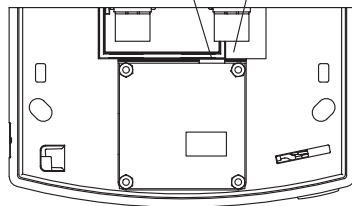


Wiring Instructions



Camera Info

Camera reset button
Camera accessory relay cable access



Camera user manual



Camera Power

- POE: IEEE802.3af, Class3, max 12W, 12 VDC ± 25%, 0.21A, max 2.5W
- Barrel connector for external power - 12 VDC, 1.2A

Relay Specs

- Relay Terminal Rating: 24VAC/DC, 2A

Relay Wire Harness

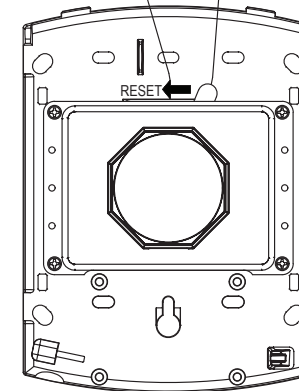
1. BLUE - Normally Open
2. RED - Common
3. YELLOW - Normally Closed
4. WHITE - Ground / I/O Ground
5. GREEN - I/O input

Factory Reset

Press and hold the reset button for five (5) seconds, then wait for the camera to finish rebooting.

Station Reset

Reset lever slide direction marker
Reset lever



To reset button station

1. Remove cover.
2. Slide reset lever left until the button returns to normal position then release the reset lever.

GF FIRE SERIES

All specifications and information shown were current as of publication and are subject to change without notice.