

# SPECTRUM Series Special Application Manual Alarm Stations



## Description

The SPECTRUM Series is a family of die-cast, metal pull stations designed to meet special application requirements such as: weather alert, hazmat spills, police call, medical emergencies, door release and fire suppression. There is a series of special application labels to designate the function of the pull station for the user. There is no agency standard, outside of red for fire that dictates what color is to be used for a specific application.

This series of pull stations is available as either SG-32CXK micro-switch or SG-42CXK toggle switch versions, in single or dual action configurations. There are two sets of gold plated contacts that can be configured by the installer as either normally open or normally closed, depending on how the switch wires are connected to the terminal block which also accommodates the field wiring (#22 to 14 AWG). All models have been tested by UL and found in compliance with the pull force requirements of the Americans with Disabilities Act (ADA). SG-32/42CXK stations are key resettable.

## Operation

The stations are operated by pulling the handle marked "PULL" on the front of the unit as far down as it will go. At that point, the handle will lock in place and is easily visible from up to 50 feet. The activation handle is reset by opening the station with the key, placing the "PULL" handle to its normal upright position (resetting the toggle switch when applicable) and relocking the station. On the dual action, the "PUSH" or optional "EMERGENCY" bar moves inward allowing the "PULL" handle to be operated by a single hand.

## Mounting Configurations

**Semi-Flush**--All models mount on a standard single-gang back-box.

**Surface Mount Interior**--Use SigCom SGB-32S or the deeper metal back-box (SGB-32SD).

**Surface Mount Exterior**--Use SigCom SGB-32C (SG-WP) or the deeper die-cast, weatherproof back-box (SGB-32CD)

## Features

- Single or Dual Action
- Special Applications Labeling (see inside page)
- Screw Terminal Connections
- Normally Open or Closed Alarm/Auxiliary Contacts
- Gold Plated Contacts
- Surface or Weatherproof Back-box
- Deeper back-box available to provide more space for wire and/or addressable module
- Consult factory for other colors



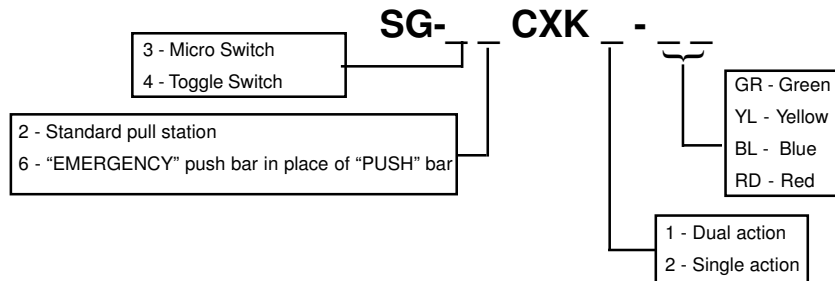
Signal Communications Corporation

## Specifications

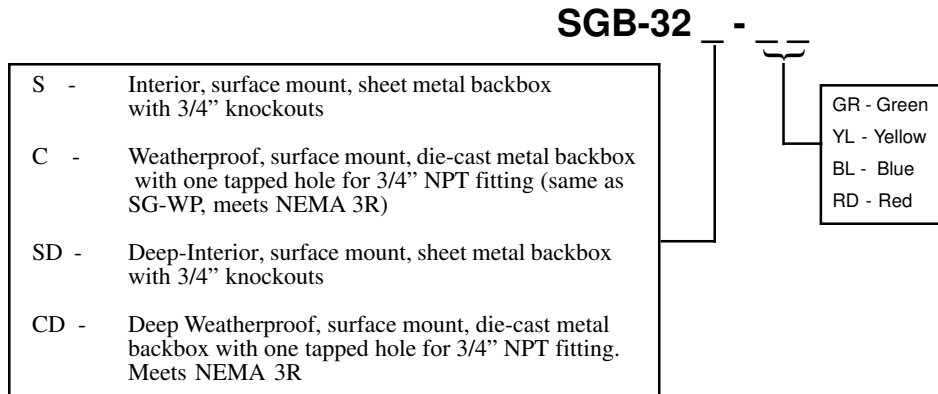
Listings:	UL, ULc, FM, CSFM, MEA
Temperature:	-40° to 150°F, 90% relative humidity @ 100°F
Switch Rating:	
SG-32 - Micro switch	1 Amp @ 30 VDC, 1 Amp @ 125 VAC
SG-42 - Toggle switch	2 Amps @ 125 VDC, 2 Amps @ 240 VAC
Pull Station Weight:	1.2 lbs
Pull Station Dimensions:	4 3/4" h x 3 1/4" w x 1.1" d
Surface-Mount Backbox Dimensions:	4 3/4" h x 3 1/4" w x 2 1/4" d (outside); 2 1/8" d (inside) cast and sheet metal
Deep Surface-Mount Backbox Dimensions:	4 3/4" h x 3 1/4" w x 2 3/4" d (outside); 2 5/8" d (inside) cast and sheet metal
Color:	Red, Blue, Yellow or Green with indented spaces to apply special application labels and white "PULL" (single action) or "PUSH" bar (dual action) with raised red letters

## Ordering Information

### Standard Manual Alarm Station:



### Standard Manual Alarm Station Surface Backbox:



### Accessories:

SG-GR01	12 pack of scored, plastic (acrylic) break-rods for spares or replacement
SG-PBK	PUSH bar kit
SG-PBEK	Push bar EMERGENCY kit
890-1683	Gasket for SG-WP replacement


## New York City

For red, New York City listed fire alarm stations, see NYC Station data sheet.



Signal Communications Corporation

## Manual Alarm Station Labels

	Description	Part Number	Blue (white text)	Yellow (red text)	Green (white text)
<p><b>Top Labels (2 label set)</b></p>  <p><b>Bottom Labels</b></p>	ALERT & ALERT	880-0047-*	X	X	X
	OPEN & DOOR	880-0050-*	X	X	
	ALARM & ALARM	880-0046-*	X	X	X
	LOCAL & EVAC	880-0048-Y		X	
	AFFF RELEASE	880-0053-Y		X	
	EMERGENCY	880-0055-*		X	X
	MEDICAL	880-0056-*	X	X	X
	TORNADO	880-0057-*	X	X	
	EVACUATE	880-0054-Y		X	
	DOOR RELEASE	880-0058-*	X	X	
	HAZMAT	880-0052Y		X	
	POLICE	880-0062-B	X		
	MANUAL RELEASE SUPPRESSION RELEASE EXTINGUISHER RELEASE SPRINKLER RELEASE	880-0101		X	

Note: The vinyl labels are shipped at no charge if placed on the order with the pull stations, with the exception of part number 880-0101, call customer service.

\* = Please indicate color request on your order. Y = Yellow; B = Blue; G = Green

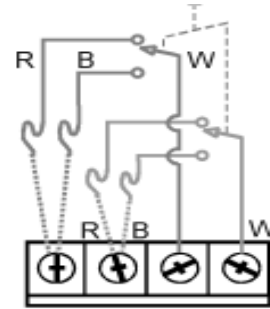


Signal Communications Corporation

## Contact Application

The Spectrum series manual pull stations (SG-\_\_CXK\_\_) has a pair of switches that can be connected either as a Normally Open (N.O.) switch, that closes when the lever is pulled; or as a Normally Closed (N.C.) switch that opens upon activation. The switches are mechanically connected, but electrically isolated allowing them to initiate alarms in two different systems or using one contact for alarm reporting and the other for an auxiliary function, such as: door release, door open or local annunciation.

**Example:** Using one side as a Normally Open switch for a FIRE Alarm connection, while the second is connected to a Normally Closed loop on a security alarm panel.



**Spectrum Series**  
Two Form 'A' or 'B' Switches  
N.O. or N.C. contacts

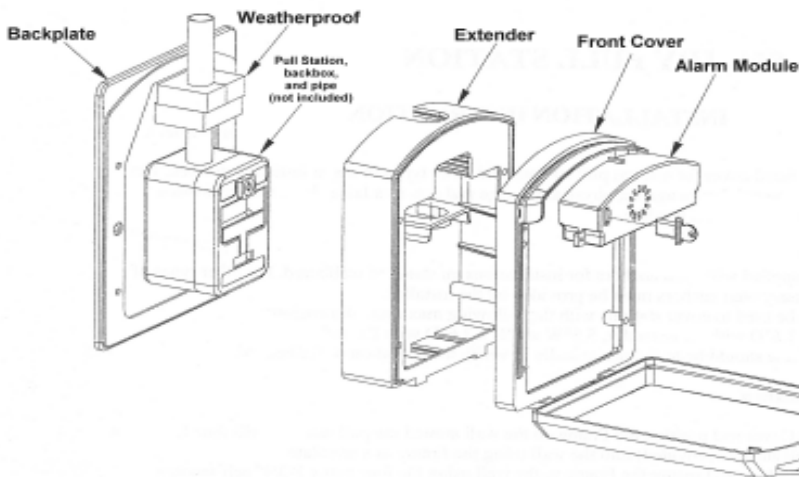
Line indicates choice of N.O. (Black Wire) or N.C. (Red Wire) contacts

## Pull Station Cover

# SENTRY™

**Description**  
Backplate Kit  
Extender Kit  
Weatherproof Kit  
Front Cover Kit  
Alarm Module Kit

**Model**  
ST-BKP01  
ST-XTR01  
ST-WPK01  
ST-FRC01  
ST-ALM01



For more information, see Sentry data sheet.



Signal Communications Corporation