

**CERTIFICATION**

**UL Listed 1480A (Type G):**  
**UL Listed 2043:**

When installed per supplied installation instructions and requirements of NEC/AHJ Suitable for use in air-handling spaces. Material and construction permits use where ceiling plenum is part of the air handling system

**INSTALLATION INSTRUCTIONS**

1. If cutting a ceiling tile is required:
  - 2' x 2' tile – Cut tile in half, parallel from either side
  - 2' x 4' tile – Cut 12" from the 4' side of the ceiling tile, leaving a 3' x 2' ceiling tile.
2. Install the 24" T-bar trim piece where required.

Required only if using conduit clamp fitting **other than what is provided with product.**

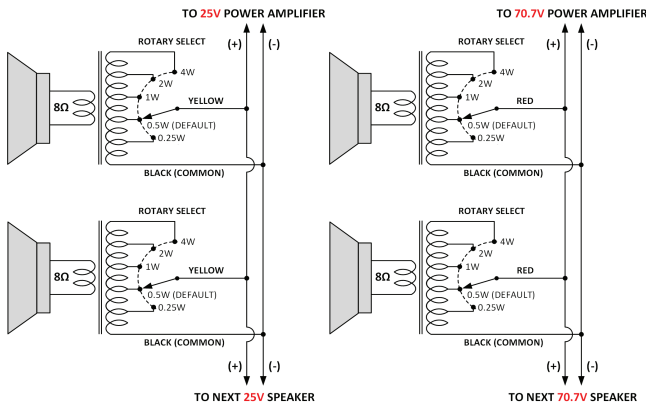
- a. **Loosen, but do not remove screws** on cover plate; slide plate to large keyhole position and lift plate from assembly.
- b. **Remove cable/conduit clamp fitting from cover plate;** Install UL Listed metallic enclosure entry fitting for plenum cable or flex whip.
- c. **Feed supply cable through whip to speaker wires.** Make connections per wiring diagram; Use appropriate connectors to meet any required codes.
- d. Replace cover plate and tighten cover plate screws. When cover plate is secured, all connections/splices must be inside of the enclosure.

- a. Connect the common (BLACK) wire from the SYSTEM 16URS to the existing field wiring common wire.
- b. In 25 Volt systems, connect the positive (YELLOW) wire from the SYSTEM 16URS to existing field wiring positive wire.  
  
In 70 Volt systems, connect the positive (RED) wire from the SYSTEM 16URS to existing field wiring positive wire.
- c. Tighten screws on cable clamp.
- d. Using the rotary selector, select the desired speaker tap power level.

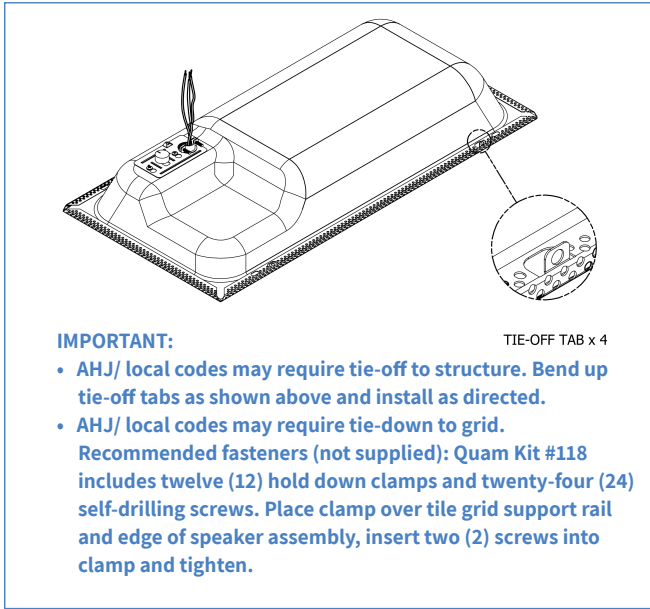
**IMPORTANT:**

- **Verify all code requirements with local AHJ before selecting connection method.**
- **Using code compliant connectors for all field wiring connections, insulate all unused wires from each other, the enclosure and electrical ground.**

3. Make the following field wiring connections to the SYSTEM 16URS.



4. Place assembly onto ceiling grid.



5. Place remaining ceiling tile into grid opening as required.