

# StarNET XDi 4 Channel NVR

Up to 20TB Max Storage NVR, 4 Max 4K/30ips Channel Count, with 4 Port Built-in-PoE Switch



The XDi 25 Series Network Video Recorder provides 4 channels of 4K real-time recording and live display. These NVRs are designed to “plug-and-play” right out of the box. The built-in DHCP Router and PoE Switch simplifies the installation, resulting in a simple configuration that requires limited IT knowledge for the instant streaming of network video. The simplicity of this system makes the XDi 25 recorder an ideal choice for retail, banking and small business applications.

The XDi 25 Series delivers a complete network surveillance solution that meets the demands of user applications from a single location to more complex multi-site locations. StarNET can support up to 1,024 locations with up to 64 cameras per location or 65,536 cameras.



**StarNET XDi**  
Pre-Installed



**Linux**  
Embedded OS



**4K/30ips**  
Recording



**Integrated**  
PoE Switch



**Gigabit**  
Client NIC



**On-Board Storage**  
Up to 20TB



**2 Drive Capacity**

## Series Features

- 4 Channel 4K/30ips real-time recording
- H.265, H.264 compression
- x2 ~ x12 Digital Zoom
- Two-way audio communication
- Video Motion Detection (VMD)
- Video Obscuration Detection (VOD)
- One USB 2.0 port,
- One USB 3.0 port
- USB mouse operation
- Text interface for ATM applications
- SATA x2 (Up to 10TB capacity for each disk)
- eSATA x1 (Up to 4TB capacity for each disk)
- Remote Access System (StarNET) Software Supports Static-IP, ADSL, DHCP, Dynamic-IP
- Remote access via free smart phone app compatible with Apple® and Android™ devices
- NDAA Compliant

## Recorder Specifications

Model		CR4025XDI-xxTB
<b>Recording</b>	Max IP Channels	4 at 4K/30fps H.264/H.265
	Recording Resolutions	Up to 12MP
	Max Recording Rate	70 Mbps
	Image Compression	H.264/H.265
<b>Connections</b>	Video Outputs	1 x HDMI 1 x VGA
	Maximum Display Resolution	4K (HDMI) / 1920 x 1200 (VGA)
	Client Network	1 x Gigabit RJ-45 Ethernet Port
	Built-in Camera PoE Ports	4 x 100Mb PoE RJ-45 Ethernet Port
	Audio	1 x RCA Audio Output 1 x HDMI Audio Output
	eSATA	1 x eSATA Port
	Alarm Sensor Inputs	4 TTL, NC/NO Programmable, 3.0V (NC) or 0.3V (NO) Threshold, 5VDC
	Alarm Relay Output	1 x Relay Output, 2A@125VAC, 1A@30VDC (NO)
	RS-232 Ports	1 x Terminal Block
	USB Ports	<b>Front:</b> 1 x USB 2.0 1 x USB 3.0
<b>Software</b>	Operating System	Embedded Linux
	Remote Operation	StarNET Client / Mobile Apps
	User Management	NVR / StarNET Client
	Recording Mode	Time Lapse / Event / Pre-Event / Panic
	Playback Search	Multi-channel playback / Time Lapse / Event Log / Text-In
	Clip Backup	USB Clip Copy

## General

<b>Optical USB Mouse</b>	Included
<b>Operating Temperature</b>	Max temperature: 104°F (40°C)
<b>OS Drive Configuration</b>	Dedicated Solid State Drive
<b>Maximum Storage</b>	20TB
<b>Rack Mount</b>	2U Rack Mountable
<b>Warranty</b>	5 Years

## Electrical

<b>Input Voltage</b>	<b>NVR</b>	<b>PS:</b> 100-240VAC, 50/60Hz, 1.5A, <b>Unit:</b> 12VDC, 5A
	<b>PoE Switch</b>	<b>PS:</b> 100-240VAC, 50/60Hz, 1.2A, <b>Unit:</b> 48VDC, 1A
<b>Consumption</b>	<b>NVR</b>	26.4W
	<b>PoE Switch</b>	30.72W
<b>Integrated Switch PoE Output</b>	4 x IEEE 802.3at Class 4, 30W Total	

## Environmental

<b>Operating Temperature</b>	32°F (0°C) to 104°F (40°C)
<b>Humidity</b>	0% to 90% (non-condensing)

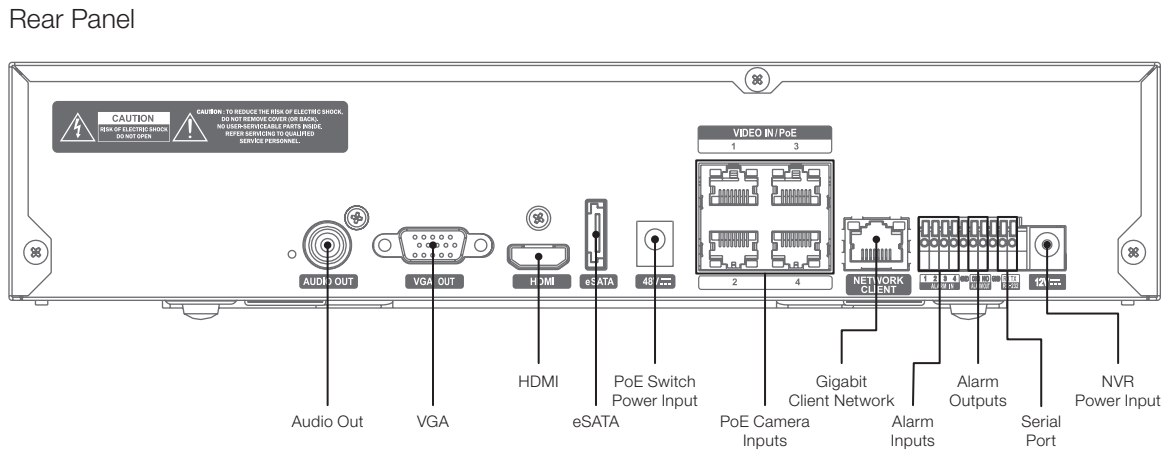
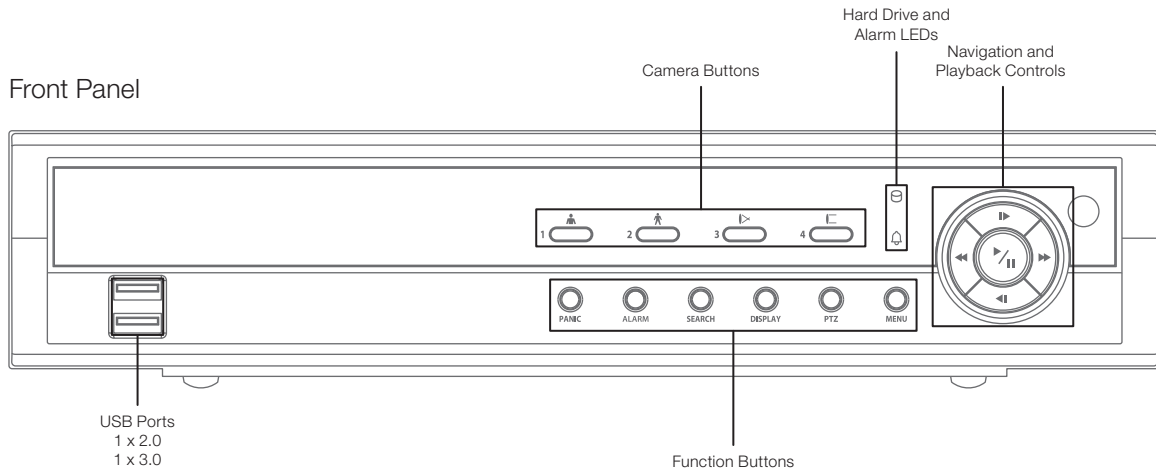
## Compliance

<b>IP Camera Support</b>	Costar DirectNET, AV Costar™ ConteralIP®, CostarHD RISE, ONVIF Profile S, Axis, Panasonic
<b>Approvals</b>	FCC, CE

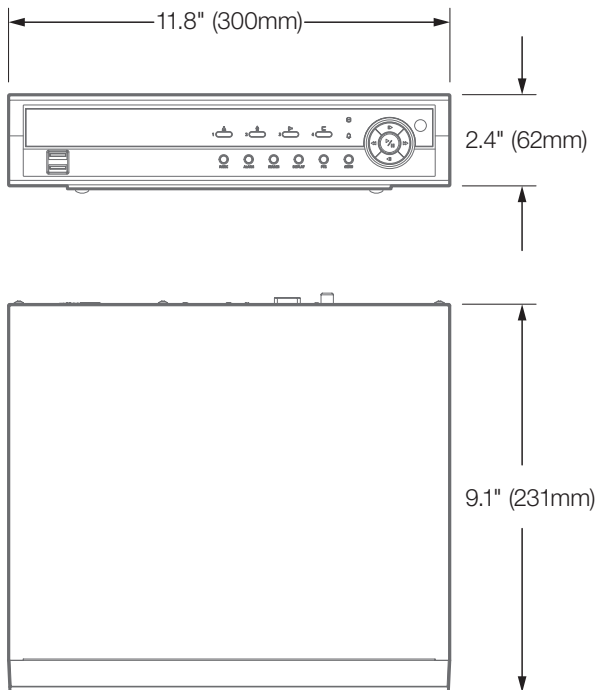
## Mechanical

<b>Dimensions</b> <i>(See Dimensions)</i>	<b>Unit</b>	11.8" W (300mm) x 2.4" H (62mm) x 9.1" L (231mm)
<b>Weight</b>	<b>Unit</b>	4.85lbs (2.2kg)

## Controls and Connections



## Dimensions



See Next Page for Ordering Information

# StarNET XDi 4 Channel NVR

# Ordering Information



## Model Numbers

4TB	CR4025XDI-4TB
8TB	CR4025XDI-8TB
10TB	CR4025XDI-10TB
12TB	CR4025XDI-12TB
16TB	CR4025XDI-16TB
20TB	CR4025XDI-20TB

## eSATA Extended Video Storage Model Numbers

8TB	CREVS4R20-8TB
12TB	CREVS4R20-12TB
16TB	CREVS4R20-16TB

Create Your Model (Example: CR4025XDI-20TB)

4 Channel  
XDi 25 Series NVR

Default Storage

Storage Type

