

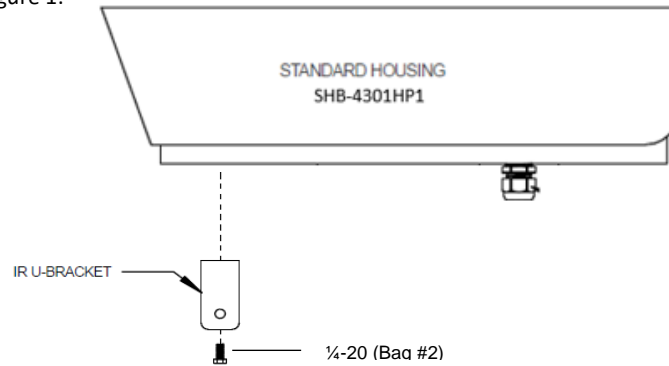
Quick Guide LPR Camera Kit (PNB-A9092RLPH)

Kit Contents:

- PNB-A9001LP camera
- SLA-T-M1250DN varifocal lens
- SHB-4301HP1 camera housing
- Wall arm with tilt/swivel adjuster
- PoE+ splitter
- IR illuminator (40m/132ft)
- UTP Cables: splitter to housing, housing to camera
- Mounting screws

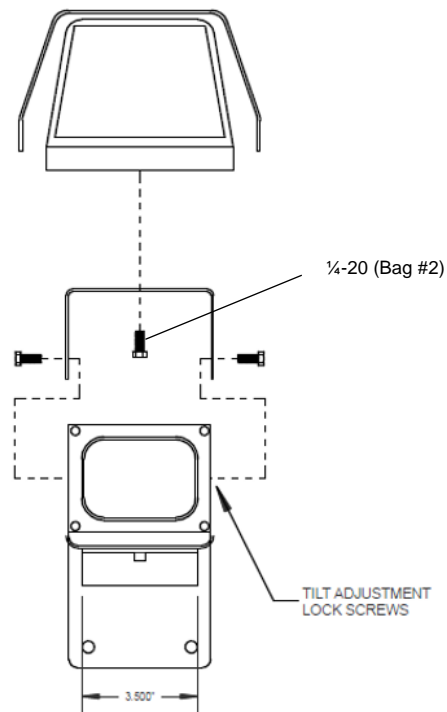
Step 1: Install IR Bracket using ¼-20 screw supplied in Bag #2.

Figure 1:



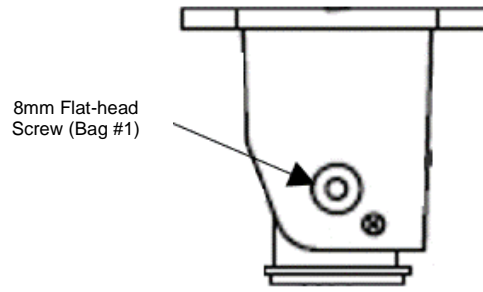
Step 2: Install IR Bracket using ¼-20 screw supplied in Bag #2.

Figure 2:



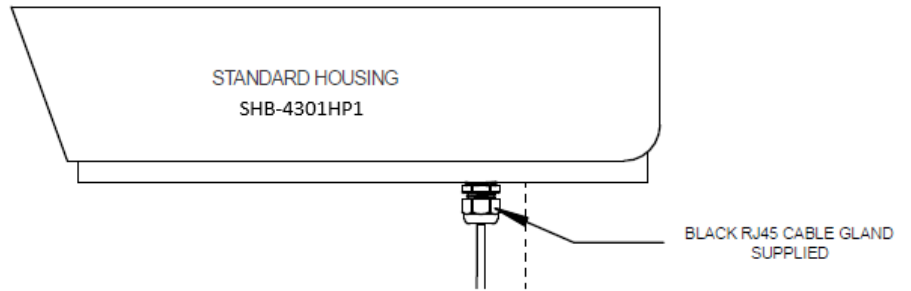
Step 3: Replace the tilt adjustment screw with supplied 8mm flat-head screw supplied in Bag #2 (prevents cable obstruction).

Figure 3:



Step 4: Replace gray cable gland with supplied black cable gland. This will allow the RJ45 modular connector to pass through the gland into the housing.

Figure 4:



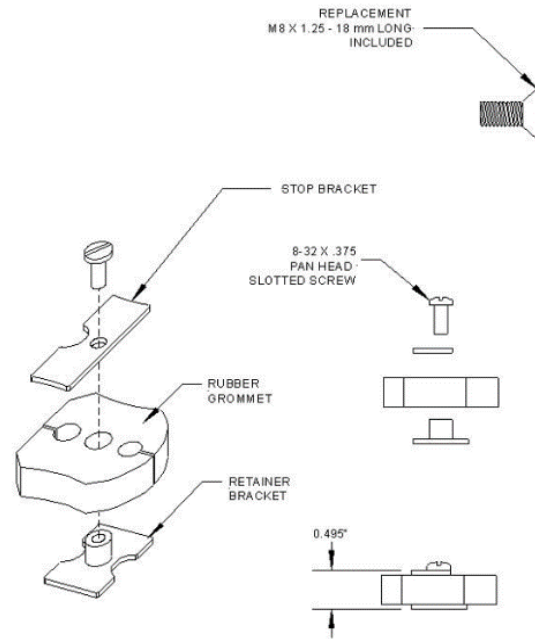
Route cables into camera housing.

Note: for more detailed information see Step 11.

Step 5: Route Cables through supplied grommet and insert into tilt/swivel adjuster.

Figure 5:

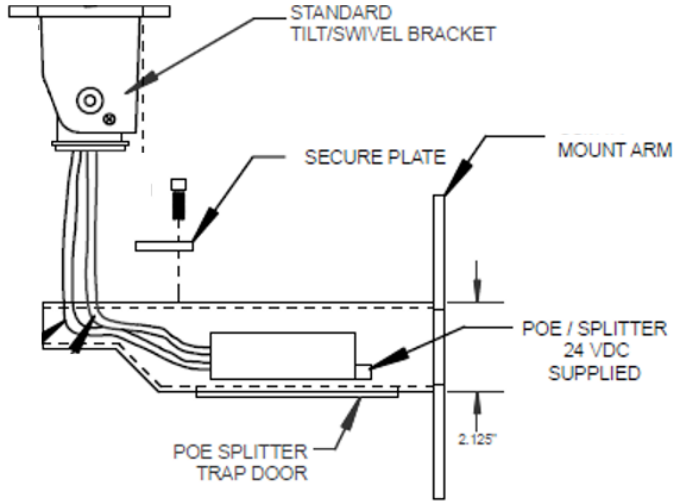
**NOTE: 50 DUROMETER BLACK RUBBER ASSEMBLY
18-8 STAINLESS STEEL HEX DRIVE FLAT HEAD SCREW**



Route cables into wall mount.

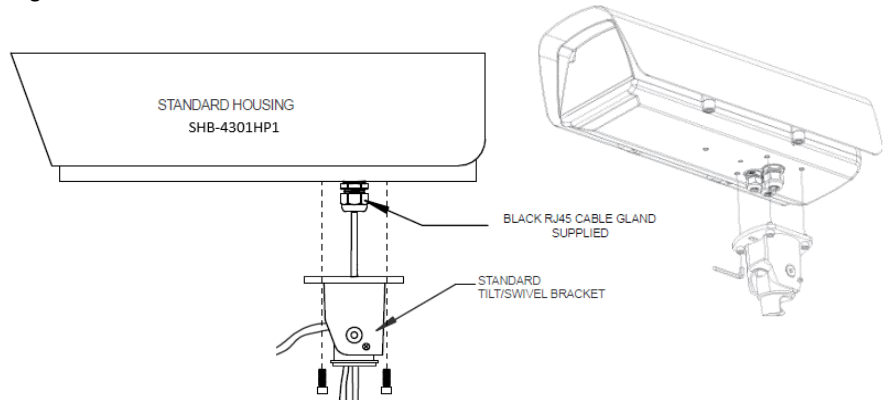
Step 6: Install tilt/swivel adjuster onto wall mount using (1) 6mm hex screw supplied in Bag #1.

Figure 6:



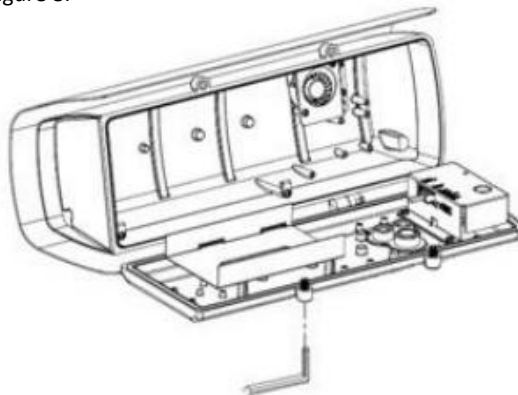
Step 7: Attach install pan/tilt adjuster to housing using (4) 6mm hex screws supplied in Bag #1.

Figure 7:



Step 8: Open housing by loosening (2) screws on the side of housing, flip the cover up 90°.

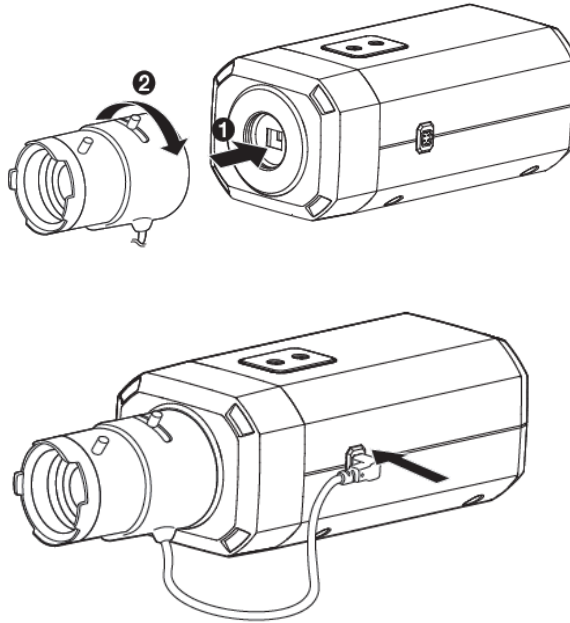
Figure 8:



Step 9: Install camera lens.

Note: for more detailed information refer to [PNB-A9001 Quick Guide](#).

Figure 9:



Step 10: Install camera

Mount the camera using the supplied screw (1) and spacers (2).

Apply at least one spacer to guarantee electrical isolation between the slide and the camera.

Position the camera lens close to the glass to avoid visual interference or optical reflections.

Connect the camera to the J2 connector (3) (PoE OUT)

Note: correct operation of the equipment within the temperature range indicated, is guaranteed only if you use camera and lens with temperature limits equal to at least -10°C and +60°C (14°F to 140°F).

Figure 10:

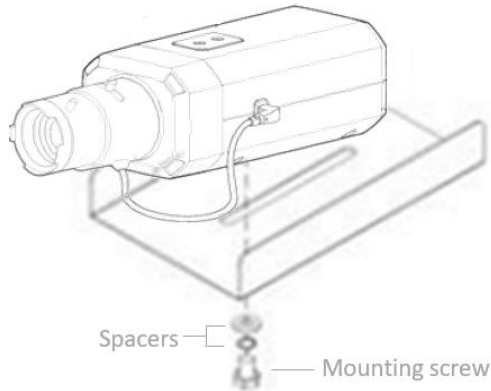
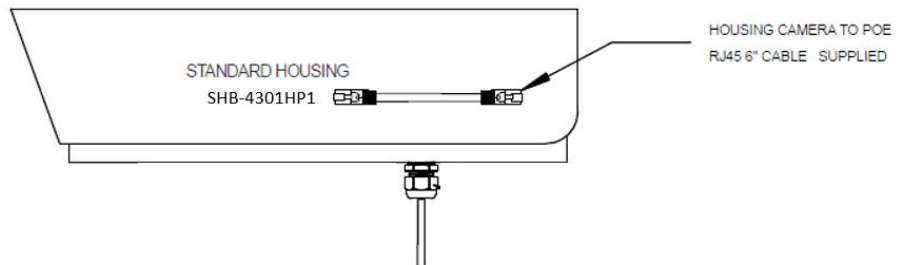


Figure 11:




Step 12: Install cable glands.

The (3) supplied cable glands must be installed on the bottom of the housing as shown in Figure 13. The cable glands that are not used must be sealed with the cap to avoid water entering the housing.

Ethernet cable installation:
Insert the Ethernet cable in the gasket and block it as shown in figure.

Fit the gasket (1) to the cable gland M20 (2). Fasten the cable gland to the bottom of the housing (3) using the M20 nut (4).

 *Pay attention to the fixing. Tightening torque: 7Nm.*

Pass the cable with connector RJ45 (5) through the M20 cable gland (2). Tighten the cable gland cap (6).

Figure 13:

