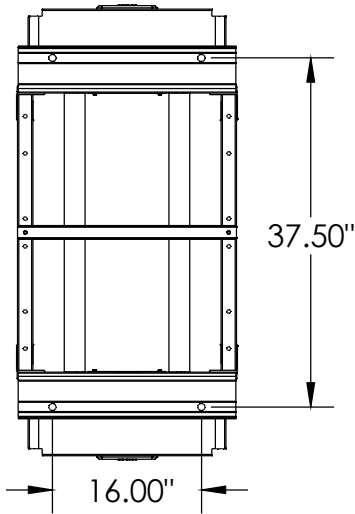
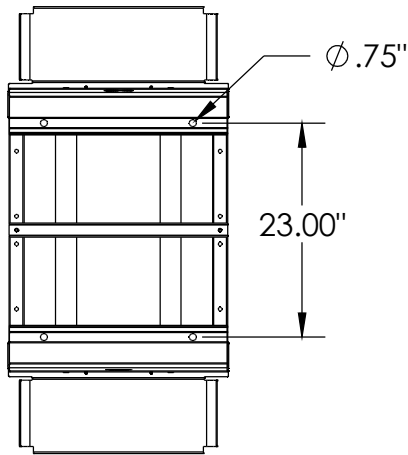


MOUNTING HOLE LOCATIONS

BASE ANGLES FACING OUTWARD

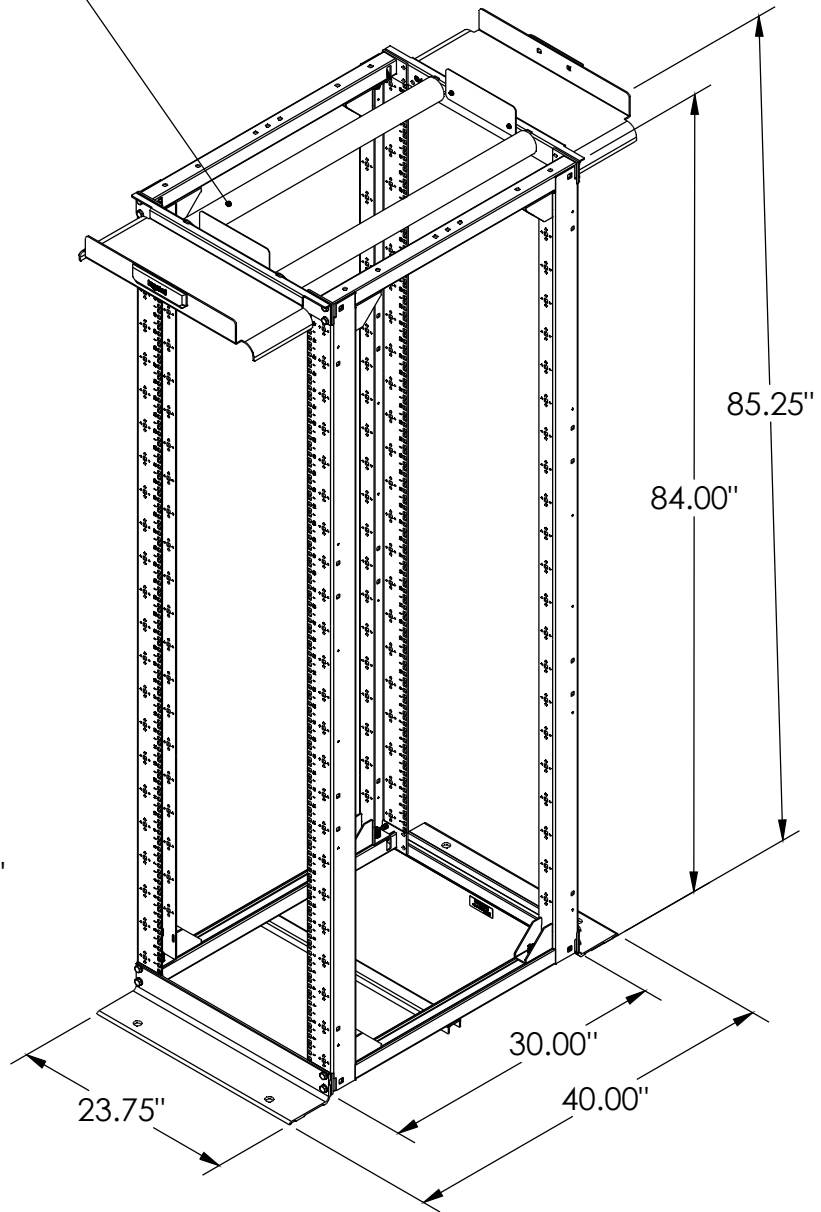


BASE ANGLES FACING INWARD



TESTED TO UL2416 WITH A WEIGHT LOAD OF 2000LBS.

BEND LIMITER KITS (MM20BLK'S) SOLD SEPARATELY



PART NUMBER DESIGNATIONS

PART NUMBER	"X" DENOTES FINISH
MM20730ADJ38-B	BLACK
MM20730ADJ38-W	WHITE

*** NOTICE ***
 THIS DOCUMENT CONTAINS CONFIDENTIAL AND/OR PROPRIETARY INFORMATION INTENDED FOR USE ONLY BY THE INDIVIDUAL(S) PROVIDED. NEITHER THIS DOCUMENT, NOR ANY INFORMATION CONTAINED HEREIN, MAY BE COPIED, DISTRIBUTED, DISCLOSED TO ANY THIRD PARTY OR USED IN ANY MANNER OTHER THAN FOR WHICH IT HAS BEEN PROVIDED, WITHOUT THE PRIOR WRITTEN CONSENT OF LEGRAND, INC. MANUFACTURING RELEASE, PRODUCT SPECIFICATIONS AND STANDARDS ARE SUBJECT TO CHANGE WITHOUT NOTICE.



WWW.LEGRAND.US

TITLE
 MM20, 4-POST 30" ADJUSTABLE RACK, 7FT, 3/8" SQUARE

DWN	NAME	DATE	SIZE	CAD FILE	DWG NO	REV
LWJ	LWJ	5/17/2016	A	MM20730ADJ38XC	MM20730ADJ38-X	06
CHK	JQ	5/17/2016	SCALE	WEIGHT	SHEET	
APPR	CV	5/17/2016	1:24		1 OF 1	