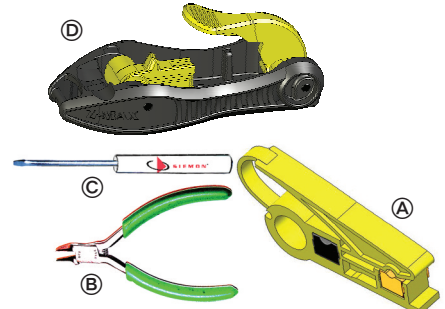
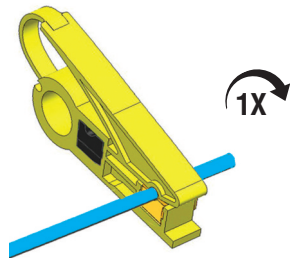


UTP Z-MAX™ Module Installation Instructions



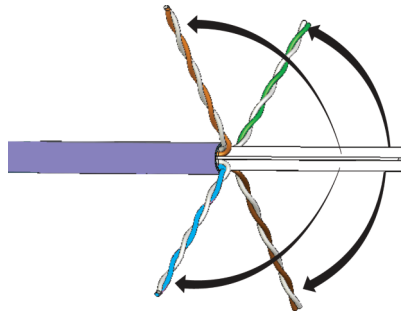
Tools Required

- (A) CPT-RGTP
- (B) Diagonal Cutter
- (C) Small Flathead Screwdriver
- (D) Z-Tool

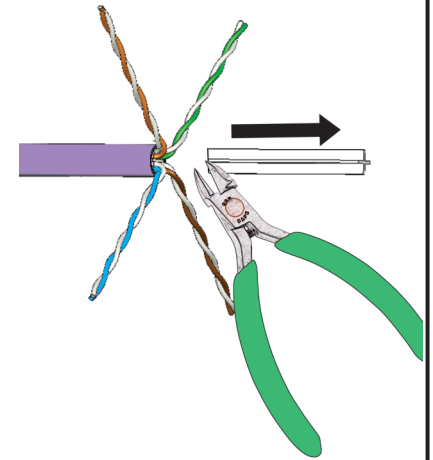


1 Solid Conductor Cable $\geq 6.4\text{mm}$ (0.25in.) Shown Here
See back page for additional cable options

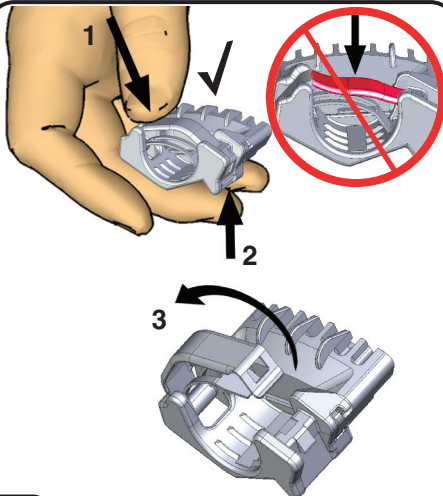
51mm
(2 in.)



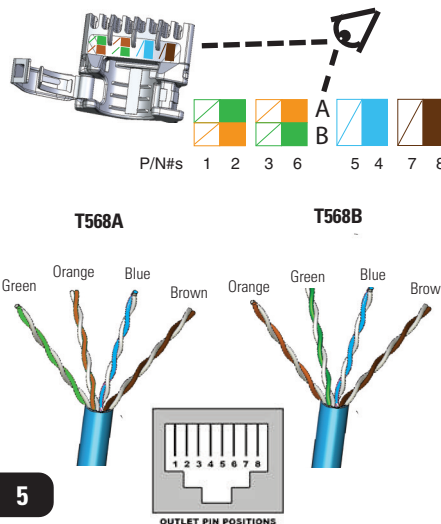
2



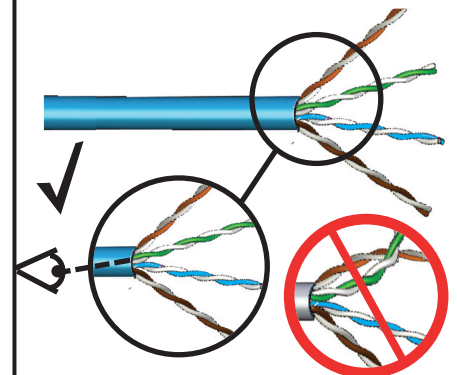
3



4

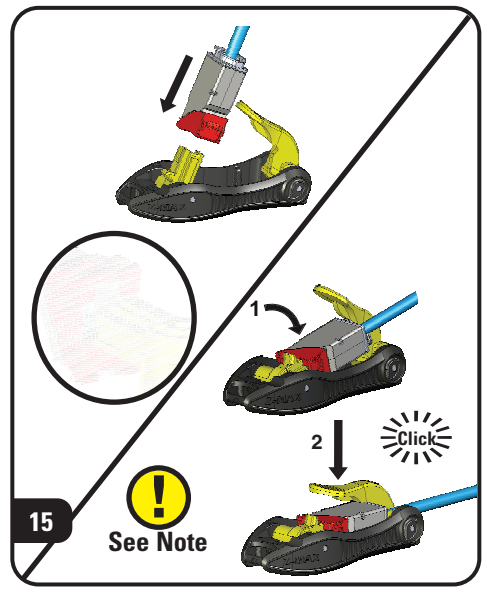
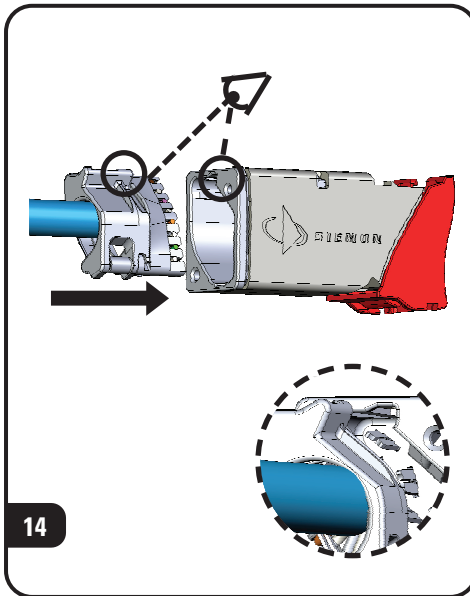
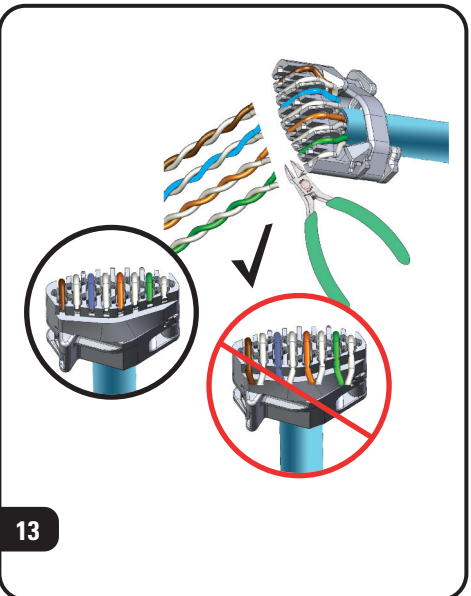
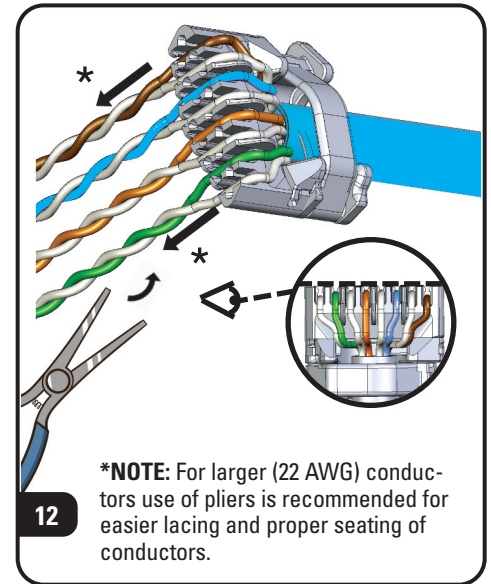
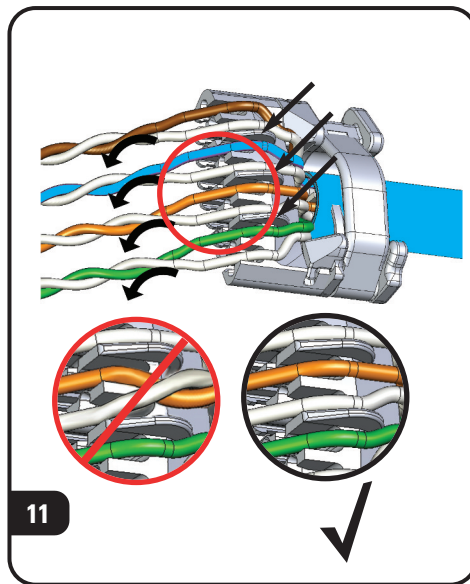
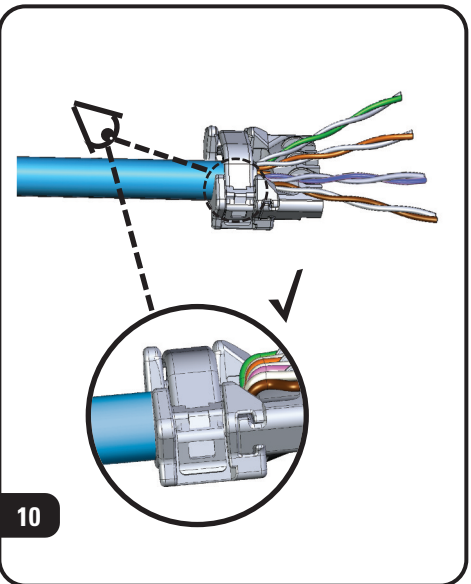
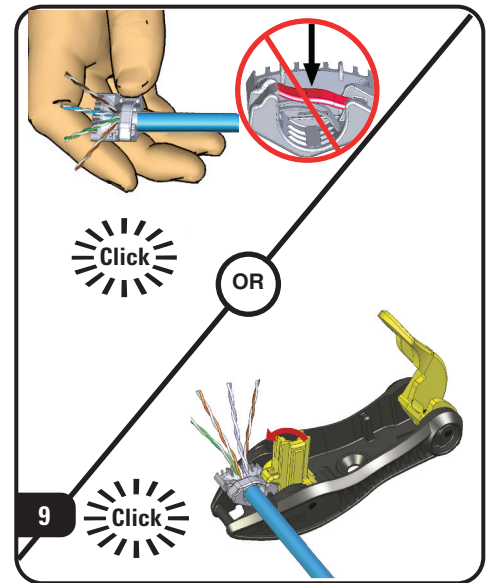
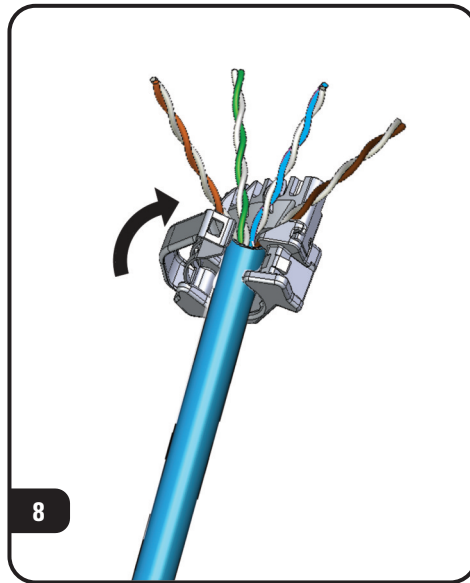
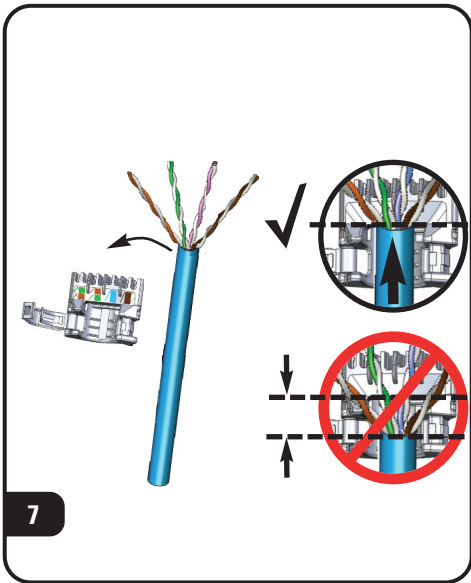


5



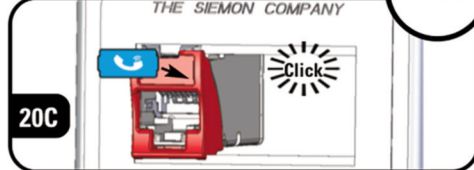
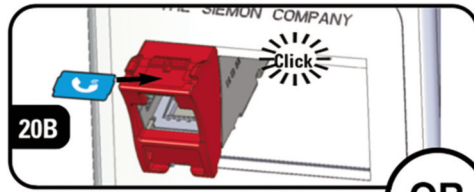
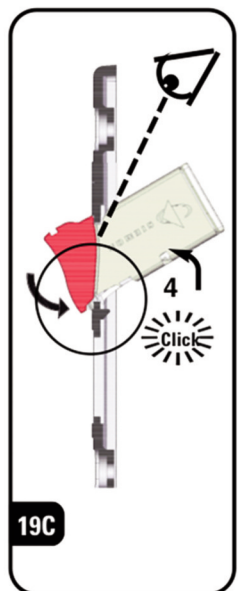
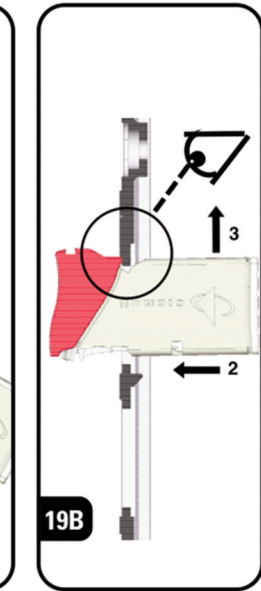
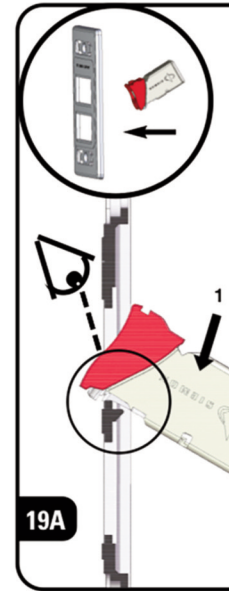
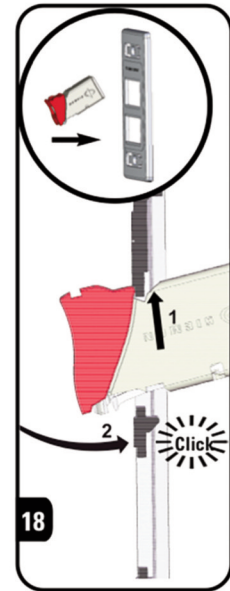
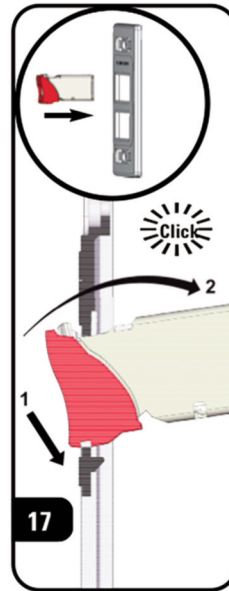
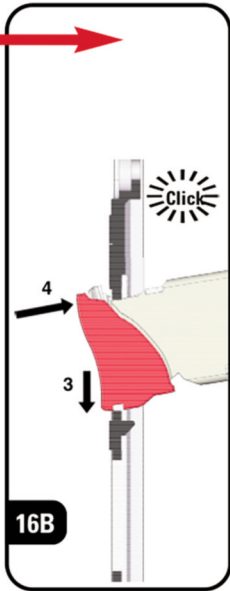
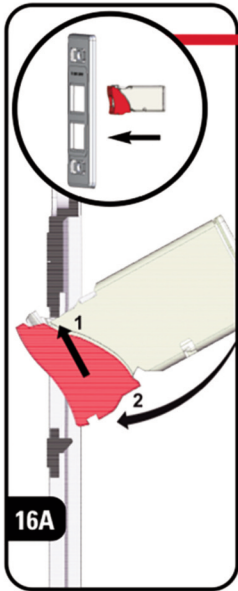
6

UTP Z-MAX™ Module Installation Instructions

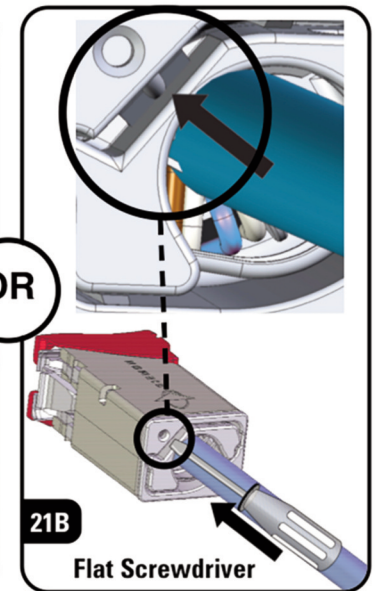
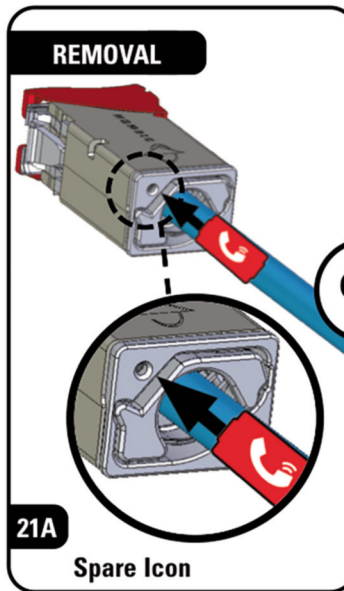


! **NOTE (step 15):** Ensure proper seating of outlet. Fully depress lever in one motion. (ie. do not partially depress then lift lever to reset outlet).

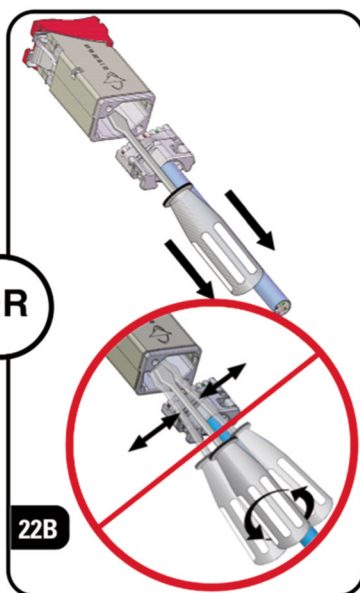
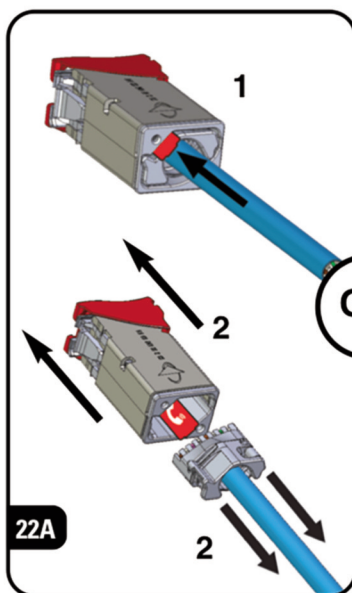
UTP Z-MAX™ Module Installation Instructions



OR

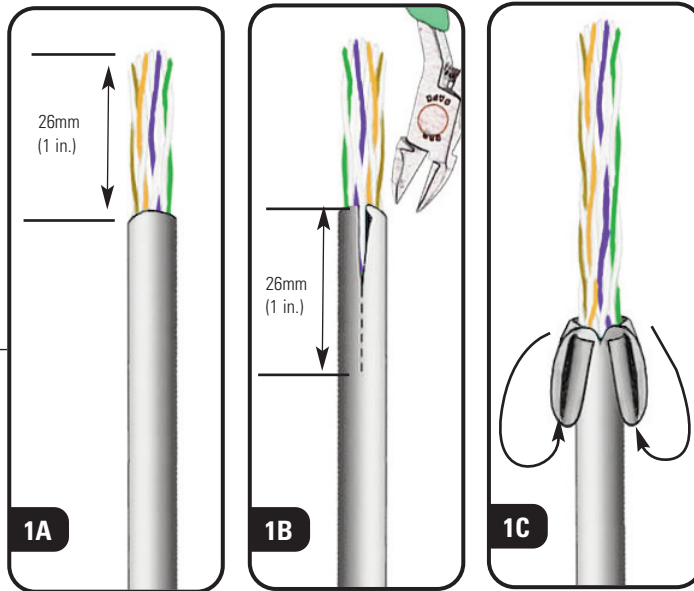


OR



OR

UTP Stranded or solid conductor cable < 6.4mm (0.25 in)



NOTE Alternate step 1. for smaller diameter cable

Because we continuously improve our products, Siemon reserves the right to change specifications and availability without prior notice.

**Worldwide Headquarters
North America**
Watertown, CT USA
Phone (1) 860 945 4200

**Regional Headquarters
Europe Africa** Chertsey,
Surrey, England Phone
(44) 0 1932 571771

**Regional Headquarters
China**
Shanghai, P.R. China
Phone (86) 215385 0303

**Regional Headquarters
Latin America**
Bogota, Colombia
Phone (571) 657 1950/51/52

**Regional Headquarters
India Middle East**
Dubai, United Arab Emirates
Phone (971) 4 3689743

**Regional Headquarters
Asia Pacific**
Sydney, Australia
Phone (61) 2 8977 7500

**Siemon Interconnect Solutions
Watertown, CT USA**
Phone (1) 860 945 4213 US
www.siemon.com/SIS

To assist safe installations, comply with the following:

- A. Use caution when installing or modifying telecommunications circuits.
- B. Never touch uninsulated wire terminals unless the circuit has been disconnected.
- C. Never install this device in a wet location.
- D. Never install wiring during a lightning storm.

Lors de l'installation, respectez les consignes de sécurité suivantes:

- A. Utiliser avec prudence lors de l'installation ou de la modification circuits de télécommunications.
- B. Ne jamais toucher les bornes de fil métallique non isolés sauf si le circuit a été débranché.
- C. Ne jamais installer cet appareil dans un endroit humide.
- D. Ne jamais installer pendant un orage.

To ensure you have the latest revision to this document, please visit: <http://www.siemon.com/us>

Visit our website at www.siemon.com for detailed global office contact information

