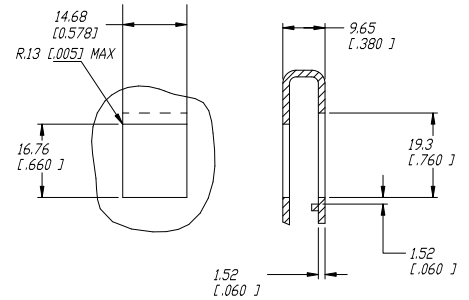
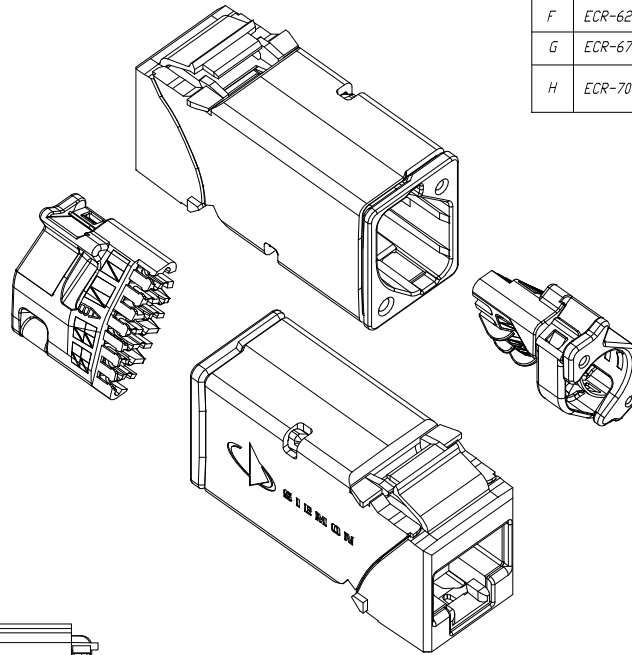
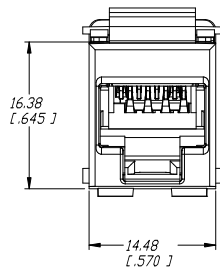
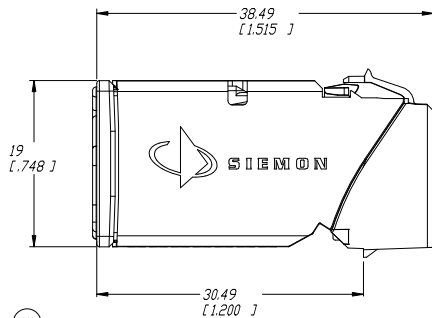
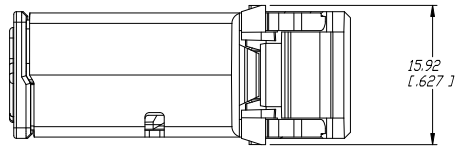


Z6(A)-K(XX)(X)

PERFORMANCE
BLANK = CAT 6
A = CAT 6A

PACKAGE TYPE
BLANK = STANDARD PACK QTY=1
A = BULK PACK QTY=24
B = BULK PACK QTY=100

BEZEL COLOR
01=BLACK, 02=WHITE, 03=RED,
04=GRAY, 05=YELLOW, 06=BLUE,
07=GREEN, 08=VIOLET, 09=DRANGE,
20=IVORY, 25=BRIGHT WHITE, 60=BRDWN
63=PINK, 80=LIGHT IVORY, 82=ALPINE WHITE



RECESSED MOUNTING INFORMATION
SCALE 1:1

REV.	ECO NO.	REVISIONS	BY	DATE	APVD.
F	ECR-6268	F1: UPDATED DIM TO 16.38 [0.645], WAS 16.78 [0.661].	KD	9/11/20	RB 9/11/20
G	ECR-6746	G1: UPDATED LIST TO INCLUDE ALL COLORS	KD	11/15/22	MY 11/15/22
H	ECR-7049	H1: UPDATED ALL NOTES FOR CONSISTENCY H2: UPDATED PART NUMBER MATRIX AND TABLE TO INCLUDE 24 PACK	NW	11/15/24	DV 11/15/24

(H1)

- MATERIALS: FLAME RETARDANT THERMOPLASTIC; CONTACTS: COPPER ALLOY PLATED WITH GOLD (OR EQUIVALENT) AT CONTACT INTERFACE.
- UL LISTING: LISTED PER UL 1863 AND APPROVED PER CSA C22.2.
- REFERENCE PRODUCT INSTRUCTIONS FOR USE OF PRODUCT.
- TRANSMISSION PROPERTIES: ANSI/TIA-568.2 AND ISO/IEC 11801-1 COMPLIANT, CATEGORY 6 AND CATEGORY 6A COMPLIANT (AS APPLICABLE).
- PLEASE REFERENCE APPLICABLE SIEMON SPEC SHEET FOR TECHNICAL PERFORMANCE DATA AND RELEVANT INDUSTRY STANDARDS COMPLIANCE.
- CONTACT A SIEMON CO. CUSTOMER SERVICE REPRESENTATIVE FOR ADDITIONAL INFORMATION.
- OUTLETS MOUNT IN KEYSTONE COMPATIBLE FACEPLATES AND ADAPTERS
- NOTES: 8. MAX RECOMMENDED CABLE OUTSIDE DIAMETER IS 9.0 [0.354]

PROPRIETARY INFORMATION
THIS DOCUMENT CONTAINS PROPRIETARY INFORMATION OF THE SIEMON COMPANY AND IS DELIVERED ON THE EXPRESSED CONDITIONS THAT IT IS NOT TO BE DISCLOSED OR REPRODUCED IN WHOLE OR PART, OR USED FOR MANUFACTURING FOR ANYONE OTHER THAN THE SIEMON COMPANY WITHOUT ITS WRITTEN CONSENT AND THAT NO RIGHT IS GRANTED TO DISCLOSE OR SO USE ANY INFORMATION CONTAINED IN SAID DOCUMENT.

THE SIEMON COMPANY
101 SIEMON COMPANY DRIVE
WATERTOWN, CT 06795
(860) 945-4200 www.siemon.com



TOLERANCES	DRAWN BY	DATE
0 (0)	D. HUNKINS	12/11/08
0.0 (0.0)	D. GIAMPIETRO	12/15/08
0.00 (0.00)	ENGINEER	DATE
ANGLE	D. HUNKINS	12/11/08
ANSI Y14.5M-1992 OR ISO 1101, 129 & 3040		
DIMENSIONS IN SQUARE BRACKETS ARE (IN) ALL OTHER DIMENSIONS ARE MILLIMETERS.		
DO NOT SCALE		SCALE NOT TO SCALE

TITLE	DWG. NO.	PART NO.	REV.
KEYSTONE Z-MAX OUTLET CAT 6 & 6A, UTP			
	B-9079091	Z6(A)-K(XX)(X)	H
SCALE NOT TO SCALE		SHEET 1 OF 1	

CUSTOMER USE DRAWING