



SERIOUS DATA SECURITY.
REAL SERIOUS.

GL-SEAL-200

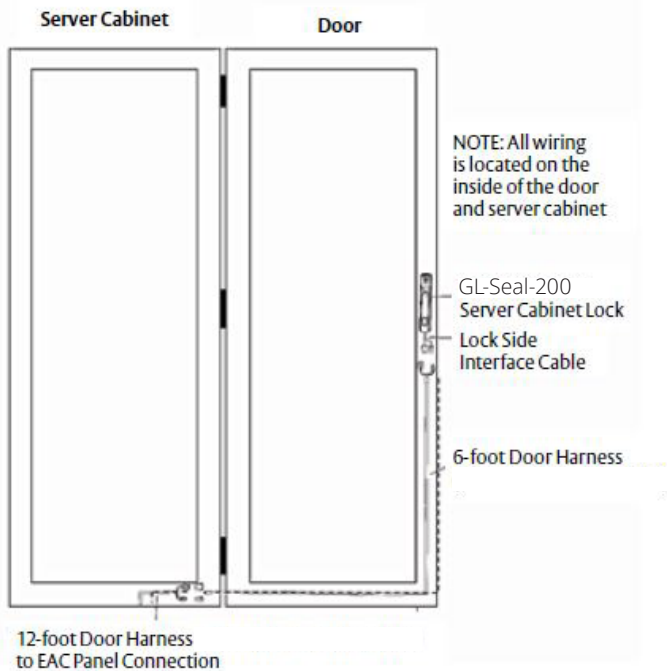
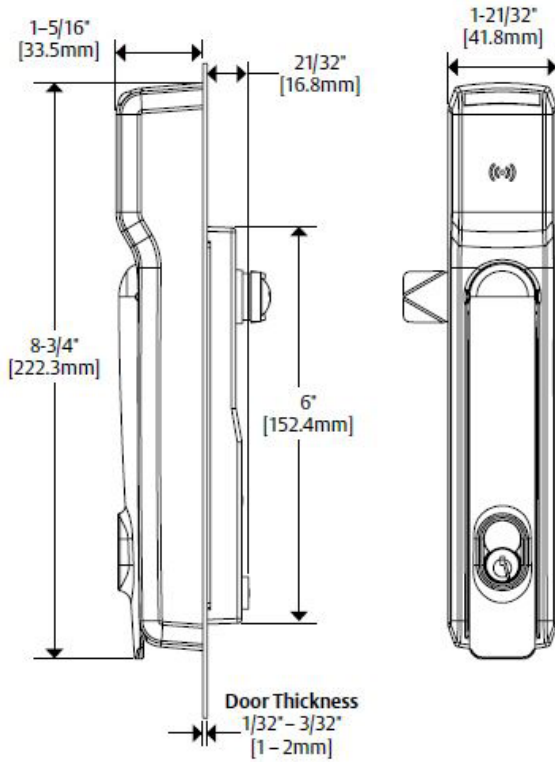


LOCK MONITORING & SFIC OVERRIDE

- Hardwired Wiegand communication
- Integrates with existing access control systems and ID badges
- HID multiCLASS SE card technology
- Dual frequency
- Handle monitoring
- Designed for standard cam activated swing handle applications with 25 mm x 150 mm lock opening
- Non-handed
- SecuriCare three-year, no-fault, no questions asked warranty

See back page for handle specs

DIMENSIONS



ACCESSORIES

- Mechanical Key Override
- Lock Side Interface Cable: 6 foot, 12 conductor and Molex both ends
- CBL12-QC12 K200/KS200 Lock Side System Interface Cable: 12 foot, 12 conductor and Molex one end, pinned one end

SPECIFICATIONS DIMENSIONS

Certifications

- FCC Part 15 & Industry Canada Compliant
- CE Red
- RoHS Compliant

Electrical

- Dual voltage 12/24 VDC
- 470 mA at 12 VDC / 245 mA at 24 VDC

Holding Force

- Static strength 250 lbs

Environmental

- Operating Temperature: 32° to 122°F [0° to 50°C]
- Indoor Use

Card Technology

- Supports 13.56 MHz & 125 kHz credentials
- High Frequency (13.56 MHz)
 - HID iCLASS®
 - HID iCLASS SE® (SIO®-enabled)
 - HID iCLASS® Seos®
 - ISO 14443b UID
 - MIFARE Classic™
 - MIFARE DESfire™ EV1
 - MIFARE DESfire™ SE
 - FeliCa™ (IDm)
- Low Frequency (125 kHz)
 - HID® Prox
 - EM4102
 - AWID Prox
- NFC-enabled Mobile Phones