



# Visual Signals Catalog

Versatile Visual Signals  
for High Visual Output

**Edwards  
Signaling**



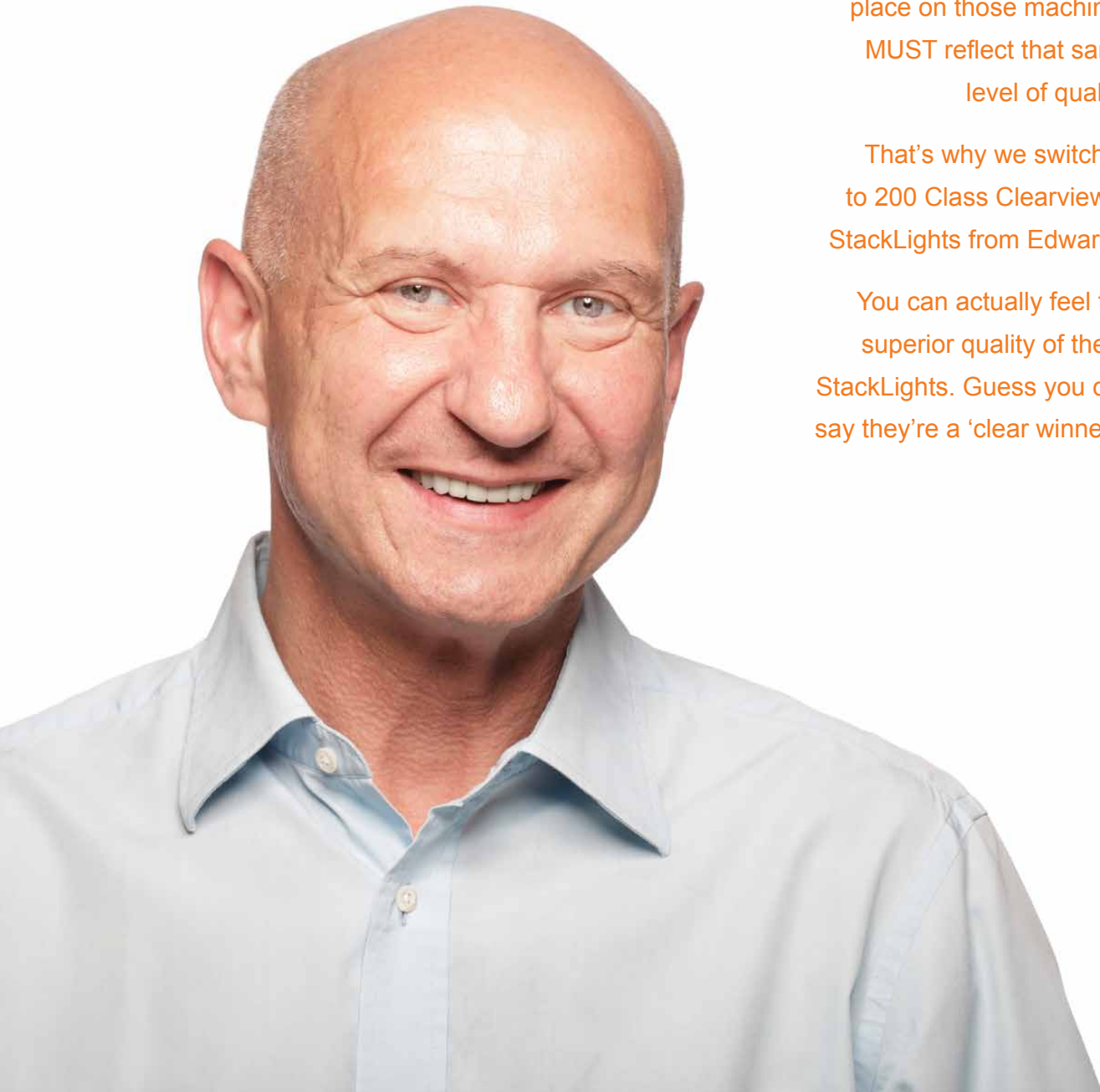
# Clear Choice

“The machines my company builds are recognized around the world as the very best.

So the signaling devices we place on those machines MUST reflect that same level of quality.

That’s why we switched to 200 Class Clearview™ StackLights from Edwards.

You can actually feel the superior quality of these StackLights. Guess you can say they’re a ‘clear winner’.”





# Visual Signals

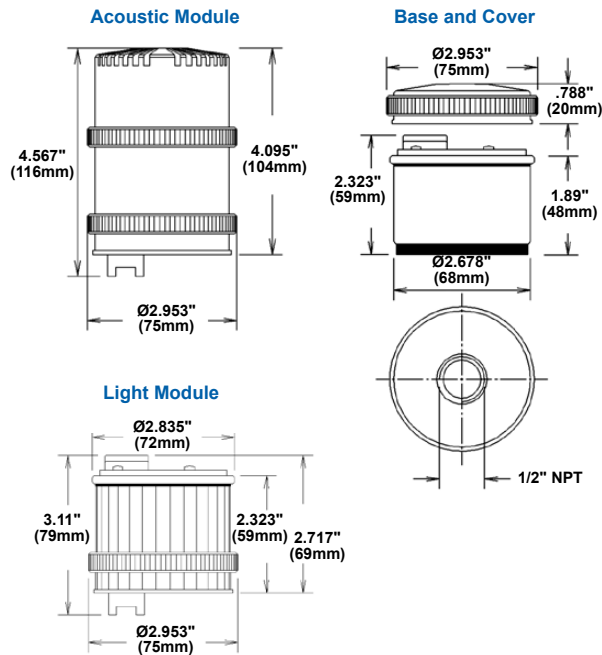
## Table of Contents

Description	Page	Description	Page
<b>StackLights</b>		<b>Beacons - Continued</b>	
70mm Clearview™ . . . . . 200 Class . . . . .	4	Flashing Xenon. . . . . Klaxon Sonos Series . . . . .	58
70mm . . . . . 200 Class . . . . .	6	Flashing Xenon. . . . . Klaxon Series . . . . .	59
48mm . . . . . 200 Class . . . . .	12	Flashing Xenon. . . . . Klaxon Syrex Series . . . . .	61
36mm . . . . . 200 Class . . . . .	14	Flashing Xenon. . . . . 89 Series . . . . .	62
. . . . . 102 Series . . . . .	15	Flashing Xenon. . . . . 125 Class . . . . .	63
. . . . . 101 Series . . . . .	18	Flashing Xenon. . . . . 117 Class . . . . .	65
<b>Beacons</b>		Flashing Xenon. . . . . 105 Series . . . . .	66
Multi-Status LED. . . . . 125XBRi Series . . . . .	21	Flashing Xenon. . . . . 96 and 98 Series . . . . .	68
Multi-Status LED. . . . . 105XBRi Series . . . . .	22	Flashing Xenon. . . . . 96 Series . . . . .	69
Multi-Status LED. . . . . 108 Series . . . . .	23	Flashing Xenon. . . . . 92 Series . . . . .	70
Steady-On LED . . . . . 125 Class . . . . .	25	Flashing Xenon. . . . . 90 Series . . . . .	71
Steady-On Halogen . . . . . 125 Class . . . . .	26	Flashing Xenon. . . . . 92 Series . . . . .	72
Steady-On		Flashing Xenon. . . . . 57EDF Series . . . . .	73
Incandescent . . . . . 125 Class . . . . .	27	Flashing Xenon. . . . . 93 and 97 Series . . . . .	74
Steady-On Halogen . . . . . 105 Series . . . . .	28	Flashing Xenon. . . . . 94 Series . . . . .	76
Steady-On Halogen		Flashing Xenon. . . . . 107 Series . . . . .	78
or Incandescent . . . . . 48 Series . . . . .	29	Flashing Xenon,	
Steady-On Halogen . . . . . 50 Series . . . . .	30	Explosionproof . . . . . 116 Series . . . . .	81
Steady-On Halogen,		Flashing Xenon,	
Explosionproof . . . . . 116 Series . . . . .	31	Explosionproof	
Steady-On LED . . . . . Klaxon Series . . . . .	33	Fire Alarm. . . . . 116 Series . . . . .	84
Multi-Mode LED . . . . . Polaris Class - 94 Series . . . . .	34	Flashing Xenon,	
Multi-Mode LED . . . . . Polaris Class - 57 Series . . . . .	36	Explosionproof	
Multi-Mode LED . . . . . 125XBR Class . . . . .	38	Mass Notification . . . . . 116 Series . . . . .	85
Multi-Mode LED . . . . . 105XBR Series . . . . .	40	Rotating Halogen	
Multi-Mode LED . . . . . 48XBR Series . . . . .	41	or Incandescent . . . . . 52, 53 and 53D Series . . . . .	86
Multi-Mode LED . . . . . 117 Class . . . . .	42	Rotating Halogen . . . . . 58 Series . . . . .	88
Multi-Mode LED,		Rotating Incandescent . . . . . 100SB Series . . . . .	89
Explosionproof . . . . . 116 Series . . . . .	44	Rotating Halogen,	
Multi-Mode LED . . . . . 107XBR Series . . . . .	46	Explosionproof . . . . . 116 Series . . . . .	90
Flashing LED . . . . . 125 Class . . . . .	48		
Flashing Halogen . . . . . 125 Class . . . . .	49		
Flashing Incandescent . . . . . 125 Class . . . . .	50		
Flashing Halogen . . . . . 105 Series . . . . .	51		
Flashing Halogen			
or Incandescent . . . . . 48 Series . . . . .	52		
Flashing Halogen . . . . . 49 Series . . . . .	53		
Flashing Halogen . . . . . 50 Series . . . . .	54		
Flashing LED . . . . . Klaxon Syrex Series . . . . .	55		
Flashing LED . . . . . Klaxon Sonos Series . . . . .	56		
Flashing LED . . . . . Klaxon Series . . . . .	57		

# StackLight™ 200 Class 70mm Clearview™

## Features and Specifications

- Steady-on or multi-mode (flashing or steady-on)
- LED light source
- Clear lens
- Interlocking system for quick assembly
- Available in gray or black
- Two optional NEMA Type 3R, IP54 rated sounders available:
  - Piezoelectric: 6 selectable tones
  - Magnetodynamic: 32 selectable tones
- Threaded footing must be ordered separately (not included with 270BC\*)
- Additional mounting options available
- NEMA Type 4X rated
- IP66 rated base and light modules
- Operating temperature range: -22°F to 140°F (-30°C to 60°C)



←2.95"→



## Ordering Information

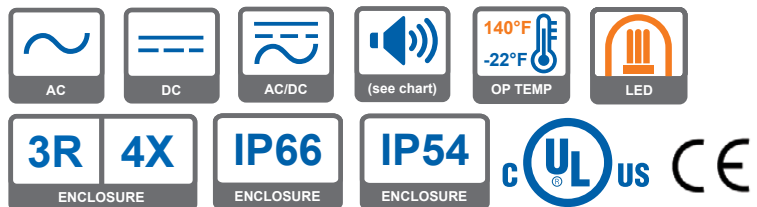
Description	Cat. No.*	Operating Temp.
Wiring Base and Cover - Gray	270BC <sup>1</sup>	-22°F to 140°F (-30°C to 60°C)

Module Type	Cat. No.*	Operating Voltage <sup>2</sup>	Current	LED Color	Operating Temp.	
Gray Integrated LED Steady-on	270CLEDSA24AD	24V AC	0.085 A	Amber	-22°F to 122°F (-30°C to 50°C)	
		24V DC	0.065 A			
	270CLEDSR24AD	24V AC	0.085 A	Red	-22°F to 122°F (-30°C to 50°C)	
		24V DC	0.065 A			
	270CLEDSB24AD	24V AC	0.075 A	Blue	-22°F to 122°F (-30°C to 50°C)	
		24V DC	0.065 A			
	270CLEDSG24AD	24V AC	0.075 A	Green	-22°F to 122°F (-30°C to 50°C)	
		24V DC	0.065 A			
	270CLEDSW24AD	24V AC	0.075 A	White	-22°F to 122°F (-30°C to 50°C)	
		24V DC	0.065 A			
	270CLEDSA120A		120V AC	0.035 A	Amber	-22°F to 122°F (-30°C to 50°C)
	270CLEDSR120A		120V AC	0.035 A	Red	
	270CLEDSB120A		120V AC	0.035 A	Blue	
	270CLEDSG120A		120V AC	0.035 A	Green	
270CLEDSW120A		120V AC	0.035 A	White		

\*NOTE: Add "B" to end of the catalog number for Black unit.

<sup>1</sup>Threaded footing (270THF) is not included. Order separately.

<sup>2</sup>AC voltage frequency is 50/60 Hz



# StackLight™

## 200 Class

### 70mm Clearview™

Ordering Information		Continued								
Module Type	Cat. No.*	Operating Voltage <sup>1</sup>	Current	Current A (flash)			LED Color	Operating Temp.	Flash Rate	
				Single	Double	Triple				
Gray Integrated LED Multi-mode	270CLEDMA24AD	24V AC	0.085 A	0.060	0.050	0.050	Amber	-22°F to 122°F (-30°C to 50°C)	Single - 75 fpm Double - 85 fpm Triple - 85 fpm Steady-on	
		24V DC	0.065 A	0.040	0.040	0.040				
	270CLEDMR24AD	24V AC	0.085 A	0.060	0.050	0.050	Red			
		24V DC	0.065 A	0.040	0.040	0.040				
	270CLEDMB24AD	24V AC	0.075 A	0.055	0.040	0.045	Blue			
		24V DC	0.065 A	0.040	0.040	0.040				
	270CLEDMG24AD	24V AC	0.075 A	0.055	0.040	0.045	Green			
		24V DC	0.065 A	0.040	0.040	0.040				
	270CLEDMW24AD	24V AC	0.075 A	0.055	0.040	0.045	White			
		24V DC	0.065 A	0.040	0.040	0.040				
	Piezoelectric Acoustic - Gray (IP54)	270PZO1248AD	12V AC/DC	0.003 A						Amber
			24V AC/DC	0.006 A						
			48V AC/DC	0.013 A						
		270PZO120240A	120V AC	0.004 A						Blue
240V AC			0.010 A							
Magnetodynamic Acoustic - Gray (IP54)		270MDA1224AD						Green		
	270MDA120A									
	270MDA240A									

\*NOTE: Add "B" to end of the catalog number for Black unit.

<sup>1</sup>AC voltage frequency is 50/60 Hz

Accessories	
Description	Cat. No.
Junction Box - Gray	270JBX**
Footing with Extension - Gray	270KIT**
Threaded Extension Pole 100mm - Gray	270TEP**
Threaded Footing - Gray	270THF**
Threaded Wall Mount - Gray	270TWM**
Double Threaded Wall Mount - Gray	270TWM2**
270 Flexible Steel Extension Rod - 370mm	270FLXT
270 Stainless Steel Extension Rod - 100mm	270SSXT100
270 Stainless Steel Extension Rod - 200mm	270SSXT200
270 Stainless Steel Extension Rod - 400mm	270SSXT400

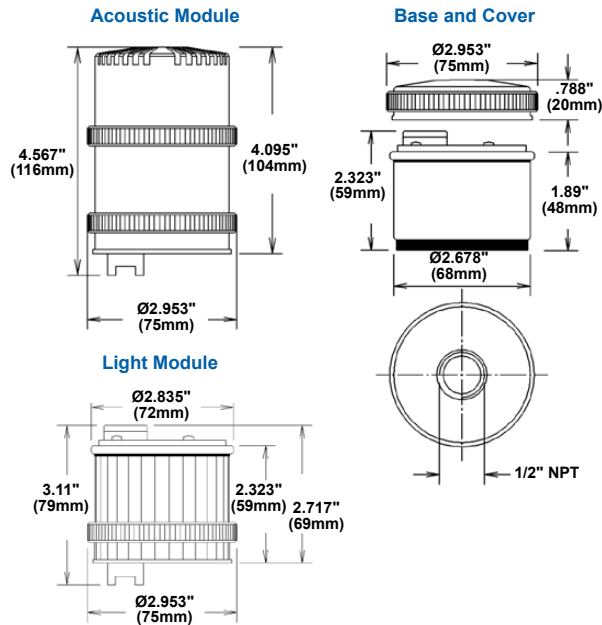
\*\*NOTE: Add "B" to end of the catalog number for Black unit.

VISUAL SIGNALS

# StackLight™ 200 Class 70mm

## Features and Specifications

- LED, Incandescent and Xenon Strobe light source
- Steady-on, flashing or multi-mode (flashing or steady-on)
- Interlocking system for quick assembly
- Available in gray or black
- Two optional NEMA Type 3R, IP54 rated sounders available:
  - Piezoelectric: 6 user selectable tones
  - Magnetodynamic: 32 user selectable tones
- Threaded footing must be ordered separately (not included with 270BC\*)
- Additional mounting options available
- NEMA Type 4X rated
- IP66 rated base and light modules
- Operating temperature range: -22°F to 140°F (-30°C to 60°C)



## Ordering Information

Description	Cat. No.*	Operating Temp.
Wiring Base and Cover - Gray	270BC <sup>1</sup>	-22°F to 140°F (-30°C to 60°C)

Module Type	Cat. No.*	Operating Voltage <sup>2</sup>	Current	Lens/LED Color	Operating Temp.	
Gray Integrated LED Steady-on	270LEDSA24AD	24V AC	0.085 A	Amber	-22°F to 122°F (-30°C to 50°C)	
		24V DC	0.065 A			
	270LEDSR24AD	24V AC	0.085 A	Red	-22°F to 122°F (-30°C to 50°C)	
		24V DC	0.065 A			
	270LEDSY24AD	24V AC	0.085 A	Yellow	-22°F to 122°F (-30°C to 50°C)	
		24V DC	0.065 A			
	270LEDSB24AD	24V AC	0.075 A	Blue	-22°F to 122°F (-30°C to 50°C)	
		24V DC	0.065 A			
	270LEDSG24AD	24V AC	0.075 A	Green	-22°F to 122°F (-30°C to 50°C)	
		24V DC	0.065 A			
	270LEDSW24AD	24V AC	0.075 A	Clear/White	-22°F to 122°F (-30°C to 50°C)	
		24V DC	0.065 A			
	270LEDSA120A	270LEDSA120A	120V AC	0.035 A	Amber	-22°F to 122°F (-30°C to 50°C)
			120V AC	0.035 A	Red	
	270LEDSY120A	270LEDSY120A	120V AC	0.035 A	Yellow	-22°F to 122°F (-30°C to 50°C)
			120V AC	0.035 A	Blue	
	270LEDSB120A	270LEDSB120A	120V AC	0.035 A	Blue	-22°F to 122°F (-30°C to 50°C)
			120V AC	0.035 A	Green	
	270LEDSG120A	270LEDSG120A	120V AC	0.035 A	Green	-22°F to 122°F (-30°C to 50°C)
			120V AC	0.035 A	Clear/White	
270LEDSA240A	270LEDSA240A	240V AC	0.035 A	Amber	-22°F to 122°F (-30°C to 50°C)	
		240V AC	0.035 A	Red		
270LEDSY240A	270LEDSY240A	240V AC	0.035 A	Yellow	-22°F to 122°F (-30°C to 50°C)	
		240V AC	0.035 A	Blue		
270LEDSB240A	270LEDSB240A	240V AC	0.035 A	Blue	-22°F to 122°F (-30°C to 50°C)	
		240V AC	0.035 A	Green		
270LEDSG240A	270LEDSG240A	240V AC	0.035 A	Green	-22°F to 122°F (-30°C to 50°C)	
		240V AC	0.035 A	Clear/White		

\*NOTE: Add "B" to end of the catalog number for Black unit.

<sup>1</sup>Threaded footing (270THF) is not included. Order separately.

<sup>2</sup>AC voltage frequency is 50/60 Hz



# StackLight™

## 200 Class

### 70mm

#### Ordering Information

Continued

Module Type	Cat. No.*	Operating Voltage <sup>1</sup>	Current	Current (flash)			Lens/LED Color	Operating Temp.	Flash Rate
				Single	Double	Triple			
Gray Integrated LED Multi-mode	270LEDMA120A	120V AC	0.035 A	0.025 A	0.020 A	0.025 A	Amber	-22°F to 122°F (-30°C to 50°C)	Single - 75 fpm Double - 85 fpm Triple - 85 fpm Steady-on
	270LEDMR120A	120V AC	0.035 A	0.025 A	0.020 A	0.025 A	Red		
	270LEDMY120A	120V AC	0.035 A	0.025 A	0.020 A	0.025 A	Yellow		
	270LEDMB120A	120V AC	0.035 A	0.025 A	0.020 A	0.020 A	Blue	-22°F to 122°F (-30°C to 50°C)	
	270LEDMG120A	120V AC	0.035 A	0.025 A	0.020 A	0.020 A	Green		
	270LEDMW120A	120V AC	0.035 A	0.025 A	0.020 A	0.020 A	Clear/White		
	270LEDMA240A	240V AC	0.035 A	0.025 A	0.020 A	0.025 A	Amber	-22°F to 122°F (-30°C to 50°C)	
	270LEDMR240A	240V AC	0.035 A	0.025 A	0.020 A	0.025 A	Red		
	270LEDMY240A	240V AC	0.035 A	0.025 A	0.020 A	0.025 A	Yellow		
	270LEDMB240A	240V AC	0.035 A	0.025 A	0.025 A	0.020 A	Blue	-22°F to 122°F (-30°C to 50°C)	
	270LEDMG240A	240V AC	0.035 A	0.025 A	0.025 A	0.020 A	Green		
	270LEDMW240A	240V AC	0.035 A	0.025 A	0.025 A	0.020 A	Clear/White		
	270LEDMA24AD	24V AC	0.085 A	0.060 A	0.050 A	0.050 A	Amber	-22°F to 122°F	
		24V DC	0.065 A	0.040 A	0.040 A	0.040 A		(-30°C to 50°C)	
	270LEDMR24AD	24V AC	0.085 A	0.060 A	0.050 A	0.050 A	Red	-22°F to 122°F	
		24V DC	0.065 A	0.040 A	0.040 A	0.040 A		(-30°C to 50°C)	
	270LEDMY24AD	24V AC	0.085 A	0.060 A	0.050 A	0.050 A	Yellow	-22°F to 122°F	
		24V DC	0.065 A	0.040 A	0.040 A	0.040 A		(-30°C to 50°C)	
	270LEDMB24AD	24V AC	0.075 A	0.055 A	0.040 A	0.045 A	Blue	-22°F to 122°F	
		24V DC	0.065 A	0.040 A	0.040 A	0.040 A		(-30°C to 50°C)	
270LEDMG24AD	24V AC	0.075 A	0.055 A	0.040 A	0.045 A	Green	-22°F to 122°F		
	24V DC	0.065 A	0.040 A	0.040 A	0.040 A		(-30°C to 50°C)		
270LEDMW24AD	24V AC	0.075 A	0.055 A	0.040 A	0.045 A	Clear/White	-22°F to 122°F		
	24V DC	0.065 A	0.040 A	0.040 A	0.040 A		(-30°C to 50°C)		

\*NOTE: Add "B" to end of the catalog number for Black unit.

<sup>1</sup>AC voltage frequency is 50/60 Hz



# StackLight™

## 200 Class

### 70mm

VISUAL SIGNALS

Ordering Information		Continued			
Module Type	Cat. No.*	Operating Voltage <sup>1</sup>	Current	Lens/LED Color	Operating Temp.
Gray Steady-on LED or Incandescent Bulb (Sold separately)	270SB12240AD	12V AC/DC	0.430 A	Blue	-22°F to 140°F (-30°C to 60°C)
		24V AC/DC	0.210 A		
		48V AC/DC	0.100 A		
		110V AC	0.035 A		
		240V AC	0.022 A		
	270SA12240AD	12V AC/DC	0.430 A	Amber	-22°F to 140°F (-30°C to 60°C)
		24V AC/DC	0.210 A		
		48V AC/DC	0.100 A		
		110V AC	0.035 A		
		240V AC	0.022 A		
	270SR12240AD	12V AC/DC	0.430 A	Red	-22°F to 140°F (-30°C to 60°C)
		24V AC/DC	0.210 A		
		48V AC/DC	0.100 A		
		110V AC	0.035 A		
		240V AC	0.022 A		
	270SG12240AD	12V AC/DC	0.430 A	Green	-22°F to 140°F (-30°C to 60°C)
		24V AC/DC	0.210 A		
		48V AC/DC	0.100 A		
		110V AC	0.035 A		
		240V AC	0.022 A		
270SY12240AD	12V AC/DC	0.430 A	Yellow	-22°F to 140°F (-30°C to 60°C)	
	24V AC/DC	0.210 A			
	48V AC/DC	0.100 A			
	110V AC	0.035 A			
	240V AC	0.022 A			
270SW12240AD	12V AC/DC	0.430 A	Clear/White	-22°F to 140°F (-30°C to 60°C)	
	24V AC/DC	0.210 A			
	48V AC/DC	0.100 A			
	110V AC	0.035 A			
	240V AC	0.022 A			

\*NOTE: Add "B" to end of the catalog number for Black unit.

<sup>1</sup>AC voltage frequency is 50/60 Hz

# StackLight™

## 200 Class

### 70mm

Ordering Information		Continued				
Module Type	Cat. No.*	Operating Voltage <sup>1</sup>	Current	Lens/LED Color	Operating Temp.	Flash Rate
Gray Flashing LED or Incandescent Bulb (Sold separately)	270FB24240A	24V AC	0.210 A	Blue	-22°F to 140°F (-30°C to 60°C)	110 fpm (+/-20)
		48V AC	0.103 A			
		110V AC	0.037 A			
	270FA24240A	240V AC	0.027 A	Amber	-22°F to 140°F (-30°C to 60°C)	110 fpm (+/-20)
		24V AC	0.210 A			
		48V AC	0.103 A			
		110V AC	0.037 A			
	270FR24240A	240V AC	0.027 A	Red	-22°F to 140°F (-30°C to 60°C)	110 fpm (+/-20)
		24V AC	0.210 A			
		48V AC	0.103 A			
		110V AC	0.037 A			
	270FG24240A	240V AC	0.027 A	Green	-22°F to 140°F (-30°C to 60°C)	110 fpm (+/-20)
		24V AC	0.210 A			
		48V AC	0.103 A			
		110V AC	0.037 A			
	270FY24240A	240V AC	0.027 A	Yellow	-22°F to 140°F (-30°C to 60°C)	110 fpm (+/-20)
		24V AC	0.210 A			
		48V AC	0.103 A			
		110V AC	0.037 A			
	270FW24240A	240V AC	0.027 A	Clear/White	-22°F to 140°F (-30°C to 60°C)	110 fpm (+/-20)
		24V AC	0.210 A			
		48V AC	0.103 A			
		110V AC	0.037 A			
	270FB1248D	12V DC	0.430 A	Blue	-22°F to 140°F (-30°C to 60°C)	110 fpm (+/-20)
		24V DC	0.210 A			
		48V DC	0.103 A			
	270FA1248D	12V DC	0.430 A	Amber	-22°F to 140°F (-30°C to 60°C)	110 fpm (+/-20)
		24V DC	0.210 A			
		48V DC	0.103 A			
	270FR1248D	12V DC	0.430 A	Red	-22°F to 140°F (-30°C to 60°C)	110 fpm (+/-20)
24V DC		0.210 A				
48V DC		0.103 A				
270FG1248D	12V DC	0.430 A	Green	-22°F to 140°F (-30°C to 60°C)	110 fpm (+/-20)	
	24V DC	0.210 A				
	48V DC	0.103 A				
270FY1248D	12V DC	0.430 A	Yellow	-22°F to 140°F (-30°C to 60°C)	110 fpm (+/-20)	
	24V DC	0.210 A				
	48V DC	0.103 A				
270FW1248D	12V DC	0.430 A	Clear/White	-22°F to 140°F (-30°C to 60°C)	110 fpm (+/-20)	
	24V DC	0.210 A				
	48V DC	0.103 A				

\*NOTE: Add "B" to end of the catalog number for Black unit.

<sup>1</sup>AC voltage frequency is 50/60 Hz

# StackLight™

## 200 Class

### 70mm

VISUAL SIGNALS

Ordering Information		Continued				
Module Type	Cat. No.*	Operating Voltage <sup>1</sup>	Current	Lens/LED Color	Operating Temp.	Flash Rate
Gray Xenon Strobe Modules	270STRB120A	120V AC	0.048 A	Blue	14°F to 109.4°F (-10°C to 43°C)	90 fpm (+/-20)
	270STRB240A	240V AC	0.055 A		90 fpm (+/-20)	
	270STRB24AD	24V AC/DC	0.280 A		14°F to 105.8°F (-10°C to 41°C)	65 fpm (+/-10)
	270STRA120A	120V AC	0.048 A	Amber	14°F to 109.4°F (-10°C to 43°C)	90 fpm (+/-20)
	270STRA240A	240V AC	0.055 A		90 fpm (+/-20)	
	270STRA24AD	24V AC/DC	0.280 A		14°F to 105.8°F (-10°C to 41°C)	65 fpm (+/-10)
	270STRR120A	120V AC	0.048 A	Red	14°F to 109.4°F (-10°C to 43°C)	90 fpm (+/-20)
	270STRR240A	240V AC	0.055 A		90 fpm (+/-20)	
	270STRR24AD	24V AC/DC	0.280 A		14°F to 105.8°F (-10°C to 41°C)	65 fpm (+/-10)
	270STRG120A	120V AC	0.048 A	Green	14°F to 109.4°F (-10°C to 43°C)	90 fpm (+/-20)
	270STRG240A	240V AC	0.055 A		90 fpm (+/-20)	
	270STRG24AD	24V AC/DC	0.280 A		14°F to 105.8°F (-10°C to 41°C)	65 fpm (+/-10)
	270STRY120A	120V AC	0.048 A	Yellow	14°F to 109.4°F (-10°C to 43°C)	90 fpm (+/-20)
	270STRY240A	240V AC	0.055 A		90 fpm (+/-20)	
	270STRY24AD	24V AC/DC	0.280 A		14°F to 105.8°F (-10°C to 41°C)	65 fpm (+/-10)
	270STRW120A	120V AC	0.048 A	Clear/White	14°F to 109.4°F (-10°C to 43°C)	90 fpm (+/-20)
	270STRW240A	240V AC	0.055 A		90 fpm (+/-20)	
	270STRW24AD	24V AC/DC	0.280 A		14°F to 105.8°F (-10°C to 41°C)	65 fpm (+/-10)
Gray Piezoelectric Acoustic (IP54)	270PZO1248AD	12V AC/DC	0.003 A		-22°F to 140°F (-30°C to 60°C)	
		24V AC/DC	0.006 A			
		48V AC/DC	0.013 A			
	270PZO120240A	120V AC	0.004 A		-22°F to 132.8°F (-30°C to 56°C)	
		240V AC	0.010 A			
Gray Magnetodynamic Acoustic (IP54)	270MDA1224AD	See 70mm MDA Acoustic Module			-22°F to 140°F (-30°C to 60°C)	
	270MDA120A	Sound Type Chart for specs, in data sheet found online.			-22°F to 122°F (-30°C to 50°C)	
	270MDA240A					

\*NOTE: Add "B" to end of the catalog number for Black unit.

<sup>1</sup>AC voltage frequency is 50/60 Hz

# StackLight™

## 200 Class

### 70mm

Bulbs			
Description	Cat. No.	Operating Voltage	LED Color
LED Bulb	270LEDB120V	120V AC	Blue
	270LEDA120V	120V AC	Amber
	270LEDR120V	120V AC	Red
	270LEDG120V	120V AC	Green
	270LEDW120V	120V AC	White
	270LEDB240V	230/240V AC	Blue
	270LEDA240V	230/240V AC	Amber
	270LEDR240V	230/240V AC	Red
	270LEDG240V	230/240V AC	Green
	270LEDW240V	230/240V AC	White
	270LEDB12V	12V AC/DC	Blue
	270LEDA12V	12V AC/DC	Amber
	270LEDR12V	12V AC/DC	Red
	270LEDG12V	12V AC/DC	Green
	270LEDW12V	12V AC/DC	White
	270LEDB24V	24V AC/DC	Blue
	270LEDA24V	24V AC/DC	Amber
	270LEDR24V	24V AC/DC	Red
	270LEDG24V	24V AC/DC	Green
	270LEDW24V	24V AC/DC	White
5W Incandescent Bulb	2705W120V	120V AC	
5W Incandescent Bulb-25 Pack	2705W120V25PK	120V AC	
5W Incandescent Bulb	2705W240V	240V AC	
5W Incandescent Bulb-25 Pack	2705W240V25PK	240V AC	
5W Incandescent Bulb	2705W12V	12V AC/DC	
5W Incandescent Bulb-25 Pack	2705W12V25PK	12V AC/DC	
5W Incandescent Bulb	2705W24V	24V AC/DC	
5W Incandescent Bulb-25 Pack	2705W24V25PK	24V AC/DC	
5W Incandescent Bulb	2705W48V	48V AC/DC	
5W Incandescent Bulb-25 Pack	2705W48V25PK	48V AC/DC	

Accessories	
Description	Cat. No.
Junction Box - Gray	270JBX*
Footing with Extension - Gray	270KIT*
Threaded Extension Pole 100mm - Gray	270TEP*
Threaded Footing - Gray	270THF*
Threaded Wall Mount - Gray	270TWM*
Double Threaded Wall Mount - Gray	270TWM2*
270 Flexible Steel Extension Rod - 370mm	270FLXT
270 Stainless Steel Extension Rod - 100mm	270SSXT100
270 Stainless Steel Extension Rod - 200mm	270SSXT200
270 Stainless Steel Extension Rod - 400mm	270SSXT400

\*NOTE: Add "B" to end of the catalog number for Black unit.

# StackLight™

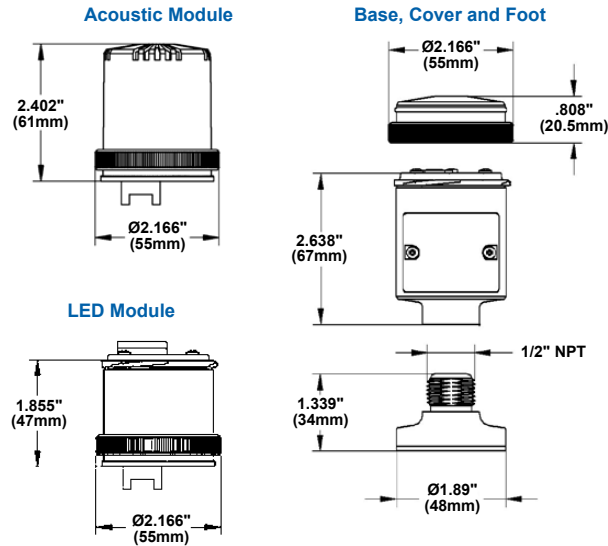
## 200 Class

### 48mm

VISUAL SIGNALS

### Features and Specifications

- Multi-mode (flashing or steady-on)
- LED light source
- dB rating: 77dB @ 1 meter/67dB @ 10ft.
- Interlocking system for quick assembly
- Available in gray or black
- Additional mounting options available
- One optional NEMA Type 3R, IP54 rated sounder available:
  - Magnetodynamic: one single tone
- NEMA Type 4X rated
- IP66 rated base and light modules
- Operating temperature range: -22F° to 122°F (-30°C to 50°C)



### Ordering Information

Description	Cat. No.*
Wiring Base, Cover and Foot - Gray	248BC

Module Type	Cat. No.*	Operating Voltage <sup>1</sup>	Current	LED Color
Gray LED Multi-mode Lens Modules	248LEDMB120A	120V AC	0.065 A	Blue
	248LEDMA120A	120V AC	0.065 A	Amber
	248LEDMR120A	120V AC	0.065 A	Red
	248LEDMG120A	120V AC	0.065 A	Green
	248LEDMY120A	120V AC	0.065 A	Yellow
	248LEDMW120A	120V AC	0.065 A	White
	248LEDMB240A	240V AC	0.055 A	Blue
	248LEDMA240A	240V AC	0.055 A	Amber
	248LEDMR240A	240V AC	0.055 A	Red
	248LEDMG240A	240V AC	0.055 A	Green
	248LEDMY240A	240V AC	0.055 A	Yellow
	248LEDMW240A	240V AC	0.055 A	White
	248LEDMB24AD	24V AC/DC	0.030 A	Blue
	248LEDMA24AD	24V AC/DC	0.030 A	Amber
	248LEDMR24AD	24V AC/DC	0.030 A	Red
	248LEDMG24AD	24V AC/DC	0.030 A	Green
	248LEDMY24AD	24V AC/DC	0.030 A	Yellow
	248LEDMW24AD	24V AC/DC	0.030 A	White
Gray Magnetodynamic Acoustic Modules	248MDA120A	120V AC	0.010 A	
	248MDA240A	240V AC	0.015 A	
	248MDA24AD	24V AC/DC	0.130 A	

\*NOTE: Add "B" to end of the catalog number for Black unit.

<sup>1</sup>AC voltage frequency is 50/60 Hz



# StackLight™

## 200 Class

### 48mm

Accessories	
Description	Cat. No.
Junction Box - Gray	270JBX*
Footing with Extension - Gray	270KIT*
Threaded Extension Pole 100mm - Gray	270TEP*
Threaded Footing - Gray	270THF*
Threaded Wall Mount - Gray	270TWM*
Double Threaded Wall Mount - Gray	270TWM2*
270 Flexible Steel Extension Rod - 370mm	270FLXT
270 Stainless Steel Extension Rod - 100mm	270SSXT100
270 Stainless Steel Extension Rod - 200mm	270SSXT200
270 Stainless Steel Extension Rod - 400mm	270SSXT400

**\*NOTE:** Add "B" to end of the catalog number for Black unit.

# StackLight™

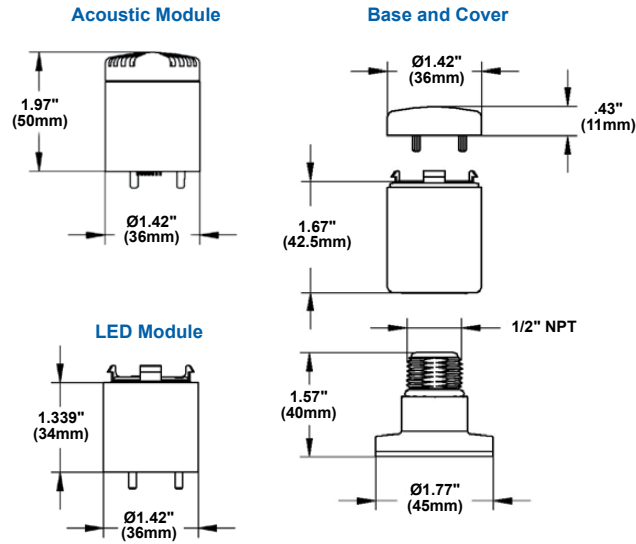
## 200 Class

### 36mm

VISUAL SIGNALS

### Features and Specifications

- LED light source
- Steady-on
- dB rating: 72dB @ 1 meter/62dB @ 10ft.
- Interlocking system for quick assembly
- Available in gray or black
- One optional IP54 rated sounder available:
  - Piezoelectric: one single tone
- Additional mounting options available
- NEMA Type 3R rated
- IP65 rated base and light modules
- Operating temperature range: -22°F to 122°F (-30°C to 50°C)



←1.77"→



### Ordering Information

Description	Cat. No.*
Wiring Base and Foot - Gray	236BC

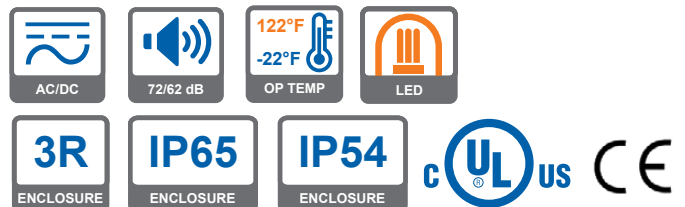
Module Type	Cat. No.*	Operating Voltage <sup>1</sup>	Current	LED Color
Gray LED Steady-on	236LEDSB24AD	24V AC/DC	0.050 A	Blue
	236LEDSA24AD	24V AC/DC	0.045 A	Amber
	236LEDSR24AD	24V AC/DC	0.050 A	Red
	236LEDSG24AD	24V AC/DC	0.040 A	Green
	236LEDSY24AD	24V AC/DC	0.045 A	Yellow
	236LED24AD	24V AC/DC	0.050 A	White
Gray - Piezoelectric Acoustic	236PZO	24V AC/DC	0.010 A	

\*NOTE: Add "B" to end of the catalog number for Black unit.  
<sup>1</sup>AC voltage frequency is 50/60 Hz

### Accessories

Description	Cat. No.
Junction Box - Gray	270JBX*
Footing with Extension - Gray	270KIT*
Threaded Extension Pole 100mm - Gray	270TEP*
Threaded Footing - Gray	270THF*
Threaded Wall Mount - Gray	270TWM*
Double Threaded Wall Mount - Gray	270TWM2*
270 Flexible Steel Extension Rod - 370mm	270FLXT
270 Stainless Steel Extension Rod - 100mm	270SSXT100
270 Stainless Steel Extension Rod - 200mm	270SSXT200
270 Stainless Steel Extension Rod - 400mm	270SSXT400

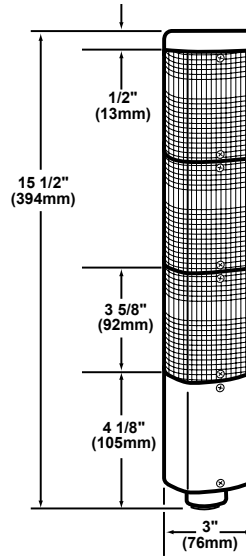
\*NOTE: Add "B" to end of the catalog number for Black unit.



# StackLight™ 102 Series

## Features and Specifications

- LED, Incandescent, Halogen and Strobe light source
- Steady-on or flashing
- Six lens colors available
- Two optional IP54 sounders available:
  - Single tone module
  - Multi-tone module, eight available tones
- Sounder modules provide 89dB @ 1 meter/ 79dB @ 10ft.
- Base and light modules are IP65 rated
- Suitable for indoor and outdoor applications
- Option for panel or conduit mounting
- NEMA Type 3R and 4X enclosure
- Optional mounting not included



VISUAL SIGNALS

## Ordering Information

Description	Cat. No.	Operating Voltage	Current <sup>1</sup>
Base Unit - Use with optional tone module	<b>102TBS-N5</b>	120V AC	0.60 A
	<b>102TBS-G1</b>	24V DC	1.75 A
Mini base for direct panel mount	<b>102DMBS-N5</b>	120V AC	0.60 A
	<b>102DMBS-G1</b>	24V DC	1.75 A
Mini base for 3/4" (19mm) conduit mount	<b>102PMBS-N5</b>	120V AC	0.60 A
	<b>102PMBS-G1</b>	24V DC	1.75 A

<sup>1</sup>Currents shown are for a stackable with 5 light modules.

AC

DC

AC/DC

89 dB

HALOGEN

INCAND.

LED

XENON

IP54  
ENCLOSURE

3R  
ENCLOSURE

4X  
ENCLOSURE



# StackLight™ 102 Series

VISUAL SIGNALS

Ordering Information		Continued								
Description	Cat. No.	Operating Voltage	Current	Lens/LED Colors	Peak Candela	Lamp Ratings	Lamp Life Calculated <sup>2</sup>	Lamp Life Projected <sup>3</sup>	Replacement Lamp	
Lens Module	102LM-A	—	—	Amber	—	—	—	—	—	
	102LM-B	—	—	Blue	—	—	—	—	—	
	102LM-C	—	—	Clear	—	—	—	—	—	
	102LM-G	—	—	Green	—	—	—	—	—	
	102LM-R	—	—	Red	—	—	—	—	—	
	102LM-Y	—	—	Yellow	—	—	—	—	—	
Steady-on Halogen	102LS-SINH-N5	120V AC	0.11 A	—	879	12 Watts	20,000 hr.	—	50LMP-12WH	
	102LS-SINH-G1	24V DC	0.32 A	—	653	9 Watts	12,000 hr.	—	50LMP-9WH	
Steady-on Incandescent	102LS-SIN-N5	120V AC	0.08 A	—	829	10 Watts	2,500 hr.	—	50LMP-10W	
	102LS-SIN-G1	24V DC	0.32 A	—	829	10 Watts	10,000 hr.	—	Ind. Trade 303 <sup>5</sup>	
Flashing Halogen	102LS-FINH-N5	120V AC	0.11 A	—	879	12 Watts	20,000 hr.	25,000 hr.	50LMP-12WH	
	102LS-FINH-G1	24V DC	0.32 A	—	653	9 Watts	12,000 hr.	15,000 hr.	50LMP-9WH	
Flashing Incandescent	102LS-FIN-N5	120V AC	0.08 A	—	829	10 Watts	2,500 hr.	3,000 hr.	50LMP-10W	
	102LS-FIN-G1	24V DC	0.32 A	—	829	10 Watts	10,000 hr.	12,500 hr.	Ind. Trade 303 <sup>5</sup>	
Strobe	102LS-ST-N5	120V AC	0.12 A	—	300,000	3 Joule	3,000 hr. <sup>4</sup>	—	—	
	102LS-ST-G1	24V DC	0.30 A	—	300,000	3 Joule	3,000 hr. <sup>4</sup>	—	—	
Steady-on LED	102LS-SLEDA-N5 <sup>1</sup> 102LS-SLEDA-G1 <sup>1</sup>	120V AC 24V DC	0.022 A 0.062 A	Amber	—	—	120,000 hr.	—	—	
	102LS-SLEDB-N5 <sup>1</sup> 102LS-SLEDB-G1 <sup>1</sup>	120V AC 24V DC	0.022 A 0.062 A	Blue	—	—	120,000 hr.	—	—	
	102LS-SLEDG-N5 <sup>1</sup> 102LS-SLEDG-G1 <sup>1</sup>	120V AC 24V DC	0.022 A 0.062 A	Green	—	—	120,000 hr.	—	—	
	102LS-SLEDR-N5 <sup>1</sup> 102LS-SLEDR-G1 <sup>1</sup>	120V AC 24V DC	0.022 A 0.062 A	Red	—	—	120,000 hr.	—	—	
	102LS-SLEDW-N5 <sup>1</sup> 102LS-SLEDW-G1 <sup>1</sup>	120V AC 24V DC	0.022 A 0.062 A	Clear/ White	—	—	120,000 hr.	—	—	
	102LS-FLEDA-N5 <sup>1</sup> 102LS-FLEDA-G1 <sup>1</sup>	120V AC 24V DC	0.022 A 0.062 A	Amber	—	—	120,000 hr.	—	—	
	102LS-FLEDB-N5 <sup>1</sup> 102LS-FLEDB-G1 <sup>1</sup>	120V AC 24V DC	0.022 A 0.062 A	Blue	—	—	120,000 hr.	—	—	
	102LS-FLEDG-N5 <sup>1</sup> 102LS-FLEDG-G1 <sup>1</sup>	120V AC 24V DC	0.022 A 0.062 A	Green	—	—	120,000 hr.	—	—	
	102LS-FLEDR-N5 <sup>1</sup> 102LS-FLEDR-G1 <sup>1</sup>	120V AC 24V DC	0.022 A 0.062 A	Red	—	—	120,000 hr.	—	—	
	102LS-FLEDW-N5 <sup>1</sup> 102LS-FLEDW-G1 <sup>1</sup>	120V AC 24V DC	0.022 A 0.062 A	Clear/ White	—	—	120,000 hr.	—	—	
	Flashing LED	102LS-FLEDA-N5 <sup>1</sup> 102LS-FLEDA-G1 <sup>1</sup>	120V AC 24V DC	0.022 A 0.062 A	Amber	—	—	120,000 hr.	—	—
		102LS-FLEDB-N5 <sup>1</sup> 102LS-FLEDB-G1 <sup>1</sup>	120V AC 24V DC	0.022 A 0.062 A	Blue	—	—	120,000 hr.	—	—
102LS-FLEDG-N5 <sup>1</sup> 102LS-FLEDG-G1 <sup>1</sup>		120V AC 24V DC	0.022 A 0.062 A	Green	—	—	120,000 hr.	—	—	
102LS-FLEDR-N5 <sup>1</sup> 102LS-FLEDR-G1 <sup>1</sup>		120V AC 24V DC	0.022 A 0.062 A	Red	—	—	120,000 hr.	—	—	
Optional Tone Module	102SIGST-N5	120V AC	0.05 A	—	—	—	—	—	—	
	102SIGST-G1	24V DC	0.05 A	—	—	—	—	—	—	
	102SIGMT-N5	120V AC	0.05 A	—	—	—	—	—	—	
	102SIGMT-G1	24V DC	0.05 A	—	—	—	—	—	—	

<sup>1</sup>NOTE: LED light sources must be used with the corresponding color lens module (e.g., a blue LED light source, 102LS-SLEDB-G1, must be used with a blue lens, 102LM-B).

<sup>2</sup>At nominal operating voltage.

<sup>3</sup>Projected lamp life based on manufacturer's calc. lamp life @ 65 fpm and 50% duty cycle.

<sup>4</sup>Strobe tube life @ operating power to 75% efficiency.

<sup>5</sup>User supplied

# StackLight™

## 102 Series

### Ordering Information

Description	Cat. No.	Operating Voltage	Lens Colors
Pre-Assembled Three High Steady-On Incandescent Models with pipe mount base	<b>102SIN-RGA-N5</b>	120V AC	Red, Green, Amber
	<b>102SIN-RBA-N5</b>	120V AC	Red, Blue, Amber
	<b>102SIN-RGA-G1</b>	24V DC	Red, Green, Amber
	<b>102SIN-RBA-G1</b>	24V DC	Red, Blue, Amber

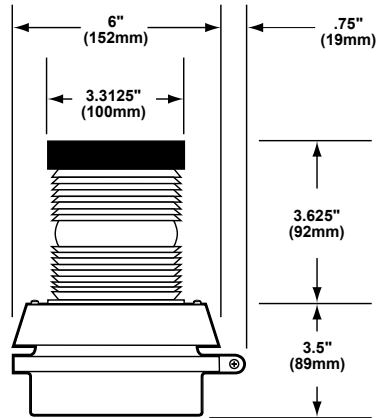
### Accessories

Description	Cat. No.
Pipe Mount Flange	<b>102PMF</b>
Pipe Extensions (for use with Pipe Mount Flange)	4" <b>102MP-4</b>
	10" <b>102MP-10</b>
	15" <b>102MP-15</b>
Corner Mount Bracket	<b>CBR</b>
Wall Mount Bracket	<b>WBR</b>

# StackLight™ 101 Series

## Features and Specifications

- LED, Incandescent, Halogen and Strobe light source
- Steady-on, flashing or multi-mode (flashing or steady-on)
- Base unit includes a pulsating horn, 95dB at 1 meter/85dB at 10 feet
- Option for panel or conduit mounting
- Can be mounted for use in indoor or outdoor applications (lens facing up for outdoor use).
- Designed for 4" octagonal box mounting



## Ordering Information

Description	Cat. No.	Operating Voltage <sup>1</sup>	Current	Lens/ LED Colors	Lamp Life	Flash Rate	Replacement Horns	Replacement Lamps
Base Unit with Horn	<b>101BS-N5</b>	120V AC	0.05 A	—	—	—	123A-N5	—
	<b>101BS-E1</b>	12V DC	0.05 A	—	—	—	P-047570-0743	—
	<b>101BS-G1</b>	24V DC	0.05 A	—	—	—	P-047570-0743	—

Module Type	Cat. No.	Operating Voltage	Current	Lens/ LED Colors	Lamp Life	Flash Rate	Peak Candela	Replacement Lamps
Steady-on Incandescent	<b>101SINR-E1</b>	12V DC	1.0 A	Red	1,520 hours <sup>2</sup>	—	2374	Industry trade No. 94 <sup>4</sup>
	<b>101SING-E1</b>	12V DC	1.0 A	Green	1,520 hours <sup>2</sup>	—	2374	
	<b>101SINA-E1</b>	12V DC	1.0 A	Amber	1,520 hours <sup>2</sup>	—	2374	
	<b>101SINB-E1</b>	12V DC	1.0 A	Blue	1,520 hours <sup>2</sup>	—	2374	
	<b>101SINM-E1</b>	12V DC	1.0 A	Magenta	1,520 hours <sup>2</sup>	—	2374	
	<b>101SINC-E1</b>	12V DC	1.0 A	Clear	1,520 hours <sup>2</sup>	—	2374	
Steady-on Halogen	<b>101SINHR-G1</b>	24V DC	0.32 A	Red	15,000 hours <sup>2</sup>	—	653	50LMP-9WH-D or industry trade no. 1692 <sup>3,4</sup>
	<b>101SINHG-G1</b>	24V DC	0.32 A	Green	15,000 hours <sup>2</sup>	—	653	
	<b>101SINHA-G1</b>	24V DC	0.32 A	Amber	15,000 hours <sup>2</sup>	—	653	
	<b>101SINHB-G1</b>	24V DC	0.32 A	Blue	15,000 hours <sup>2</sup>	—	653	
	<b>101SINHM-G1</b>	24V DC	0.32 A	Magenta	15,000 hours <sup>2</sup>	—	653	
	<b>101SINHC-G1</b>	24V DC	0.32 A	Clear	15,000 hours <sup>2</sup>	—	653	

<sup>1</sup>AC voltage frequency is 50/60 Hz  
<sup>2</sup>Calculated at 65 fpm and 50% duty cycle  
<sup>3</sup>Incandescent lamp  
<sup>4</sup>User supplied



# StackLight™ 101 Series

Ordering Information		Continued								
Module Type	Cat. No.	Operating Voltage <sup>1</sup>	Current	Lens/ LED Colors	Lamp Life	Flash Rate	Peak Candela	Replacement Lamps		
Steady-on Halogen (continued)	101SINHR-N5	120V AC	0.11 A	Red	25,000 hours <sup>2</sup>	—	876	50LMP– 12WH-D or industry trade no. 15T7DC <sup>4,5</sup>		
	101SINHG-N5	120V AC	0.11 A	Green	25,000 hours <sup>2</sup>	—	876			
	101SINHA-N5	120V AC	0.11 A	Amber	25,000 hours <sup>2</sup>	—	876			
	101SINHB-N5	120V AC	0.11 A	Blue	25,000 hours <sup>2</sup>	—	876			
	101SINHM-N5	120V AC	0.11 A	Magenta	25,000 hours <sup>2</sup>	—	876			
	101SINHC-N5	120V AC	0.11 A	Clear	25,000 hours <sup>2</sup>	—	876			
Flashing Incandescent	101FINR-E1	12V DC	1.0 A	Red	1,520 hours <sup>2</sup>	65 fpm	2374	Industry trade No. 94 <sup>5</sup>		
	101FING-E1	12V DC	1.0 A	Green	1,520 hours <sup>2</sup>		2374			
	101FINA-E1	12V DC	1.0 A	Amber	1,520 hours <sup>2</sup>		2374			
	101FINB-E1	12V DC	1.0 A	Blue	1,520 hours <sup>2</sup>		2374			
	101FINM-E1	12V DC	1.0 A	Magenta	1,520 hours <sup>2</sup>		2374			
	101FINC-E1	12V DC	1.0 A	Clear	1,520 hours <sup>2</sup>		2374			
Flashing Halogen	101FINHR-G1	24V DC	0.32 A	Red	15,000 hours <sup>2</sup>	65 fpm	653	50LMP– 9WH-D or industry trade no. 1692 <sup>4,5</sup>		
	101FINHG-G1	24V DC	0.32 A	Green	15,000 hours <sup>2</sup>		653			
	101FINHA-G1	24V DC	0.32 A	Amber	15,000 hours <sup>2</sup>		653			
	101FINHB-G1	24V DC	0.32 A	Blue	15,000 hours <sup>2</sup>		653			
	101FINHM-G1	24V DC	0.32 A	Magenta	15,000 hours <sup>2</sup>		653			
	101FINHC-G1	24V DC	0.32 A	Clear	15,000 hours <sup>2</sup>		653			
	101FINHR-N5	120V AC	0.11 A	Red	25,000 hours <sup>2</sup>	65 fpm	876	50LMP– 12WH-D or industry trade no. 15T7DC <sup>4,5</sup>		
	101FINHG-N5	120V AC	0.11 A	Green	25,000 hours <sup>2</sup>		876			
	101FINHA-N5	120V AC	0.11 A	Amber	25,000 hours <sup>2</sup>		876			
	101FINHB-N5	120V AC	0.11 A	Blue	25,000 hours <sup>2</sup>		876			
	101FINHM-N5	120V AC	0.11 A	Magenta	25,000 hours <sup>2</sup>		876			
	101FINHC-N5	120V AC	0.11 A	Clear	25,000 hours <sup>2</sup>		876			
	101STR-E1	12V DC	0.5 A	Red	3,000 hours <sup>3</sup>		65 fpm		300,000	91B-ST
	101STG-E1	12V DC	0.5 A	Green	3,000 hours <sup>3</sup>				300,000	
101STA-E1	12V DC	0.5 A	Amber	3,000 hours <sup>3</sup>	300,000					
101STB-E1	12V DC	0.5 A	Blue	3,000 hours <sup>3</sup>	300,000					
101STM-E1	12V DC	0.5 A	Magenta	3,000 hours <sup>3</sup>	300,000					
101STC-E1	12V DC	0.5 A	Clear	3,000 hours <sup>3</sup>	300,000					
Strobe	101STR-G1	24V DC	0.3 A	Red	3,000 hours <sup>3</sup>	65 fpm	300,000	91B-ST		
	101STG-G1	24V DC	0.3 A	Green	3,000 hours <sup>3</sup>		300,000			
	101STA-G1	24V DC	0.3 A	Amber	3,000 hours <sup>3</sup>		300,000			
	101STB-G1	24V DC	0.3 A	Blue	3,000 hours <sup>3</sup>		300,000			
	101STM-G1	24V DC	0.3 A	Magenta	3,000 hours <sup>3</sup>		300,000			
	101STC-G1	24V DC	0.3 A	Clear	3,000 hours <sup>3</sup>		300,000			
	101STR-N5	120V AC	0.12 A	Red	3,000 hours <sup>3</sup>	65 fpm	300,000	91B-ST		
	101STG-N5	120V AC	0.12 A	Green	3,000 hours <sup>3</sup>		300,000			
	101STA-N5	120V AC	0.12 A	Amber	3,000 hours <sup>3</sup>		300,000			
	101STB-N5	120V AC	0.12 A	Blue	3,000 hours <sup>3</sup>		300,000			
	101STM-N5	120V AC	0.12 A	Magenta	3,000 hours <sup>3</sup>		300,000			
	101STC-N5	120V AC	0.12 A	Clear	3,000 hours <sup>3</sup>		300,000			

<sup>1</sup>AC voltage frequency is 50/60 Hz  
<sup>2</sup>Calculated at 65 fpm and 50% duty cycle  
<sup>3</sup>Operating power to 75% efficiency  
<sup>4</sup>Incandescent lamp  
<sup>5</sup>User supplied

VISUAL SIGNALS

# StackLight™

## 101 Series

Ordering Information		Continued						
Module Type	Cat. No.	Operating Voltage <sup>1</sup>	Current	Lens/ LED Colors	Lamp Life	Flash Rate	Replacement Horns	Replacement Lamps
Multi-mode XBR LED	<b>101XBRMR120A</b>	120V AC	0.108 A	Red	148,000 hours (L70) <sup>2</sup>	65 fpm Steady-on	—	—
	<b>101XBRMG120A</b>	120V AC	0.108 A	Green			—	—
	<b>101XBRMA120A</b>	120V AC	0.108 A	Amber			—	—
	<b>101XBRMB120A</b>	120V AC	0.108 A	Blue			—	—
	<b>101XBRMW120A</b>	120V AC	0.108 A	Clear/White			—	—
	<b>101XBRMR24D</b>	24V DC	0.215 A	Red	148,000 hours (L70) <sup>2</sup>	65 fpm Steady-on	—	—
	<b>101XBRMG24D</b>	24V DC	0.215 A	Green			—	—
	<b>101XBRMA24D</b>	24V DC	0.215 A	Amber			—	—
	<b>101XBRMB24D</b>	24V DC	0.215 A	Blue			—	—
	<b>101XBRMW24D</b>	24V DC	0.215 A	Clear/White			—	—

<sup>1</sup>AC voltage frequency is 50/60 Hz

<sup>2</sup>LED Manufacturer's Median Projected LED Life for LUXEON Rebel LEDs (L70 at 85°C and T<sub>junction</sub> 98°C). Actual LED life will vary inversely with ambient temperature, voltage, driver current, junction temperature and duty-cycle at which the signaling device is operated. Please refer to <http://www.philipslumileds.com/pdfs/WP15.pdf>.

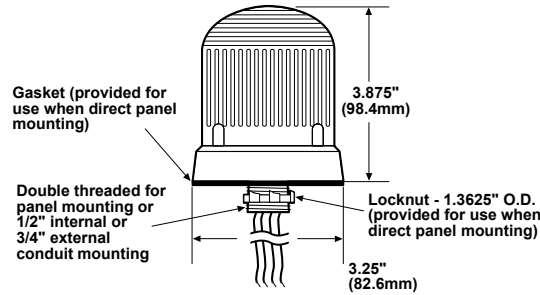
# Beacons

## Multi-Status LED

### 125XB Ri Class

#### Features and Specifications

- LED light source
- High-impact polycarbonate lens
- Gray or black glass filled nylon base
- XTRA-SAFE™ Technology<sup>1</sup> enables status indication for those who are color blind
- Dip switch settings for use with or without external control
- Flash rates
  - Red 240 fpm
  - Amber 120 fpm
  - Green/Blue 65 fpm
- NEMA Type 4X enclosure
- Suitable for indoor and outdoor applications
- Option for panel or conduit mounting
- Operating temperature range: -31°F<sup>o</sup> to 150°F (-35°C to 66°C)



3.25"



#### Ordering Information

Description	Cat. No.	Operating Voltage <sup>2</sup>	Current	LED Colors	Projected LED Life (L70) <sup>3</sup>	Replacement Lens
Multi-status Indicator LED - Gray Base	<b>125XB Ri RGA120A</b>	120V AC	0.100 A	Red, Green, Amber	148,000 hours	125LC*
	<b>125XB Ri RBA120A</b>	120V AC	0.100 A	Red, Blue, Amber	148,000 hours	125LC*
	<b>125XB Ri RGA24D</b>	24V DC	0.150 A	Red, Green, Amber	148,000 hours	125LC*
	<b>125XB Ri RBA24D</b>	24V DC	0.150 A	Red, Blue, Amber	148,000 hours	125LC*
Multi-status Indicator LED - Black Base	<b>125XB Ri RGA120AB</b>	120V AC	0.100 A	Red, Green, Amber	148,000 hours	125LC*
	<b>125XB Ri RBA120AB</b>	120V AC	0.100 A	Red, Blue, Amber	148,000 hours	125LC*
	<b>125XB Ri RGA24DB</b>	24V DC	0.150 A	Red, Green, Amber	148,000 hours	125LC*
	<b>125XB Ri RBA24DB</b>	24V DC	0.150 A	Red, Blue, Amber	148,000 hours	125LC*

\*Clear

<sup>1</sup>See website for more information on our XTRA-SAFE Technology

<sup>2</sup>AC voltage frequency is 50/60 Hz

<sup>3</sup>LED Manufacturer's Median Projected LED Life for LUXEON Rebel LEDs (L70 at 85°C and T<sub>junction</sub> 98°C). Actual LED life will vary inversely with ambient temperature, voltage, driver current, junction temperature and duty-cycle at which the signaling device is operated. Please refer to <http://www.philipsumileds.com/pdfs/WP15.pdf>.

#### Accessories

Description	Cat. No.
Corner Mount Bracket	<b>CBR</b>
Wall Mount Bracket	<b>WBR</b>



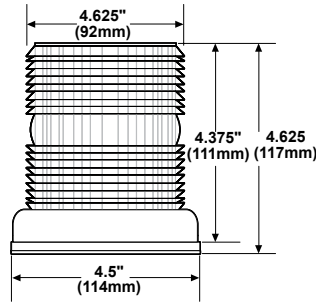
# Beacons

## Multi-Status LED

### 105XBRI Series

#### Features and Specifications

- LED light source
- Screw on, high-impact polycarbonate lens
- Gray Rynite® (PET) base
- XTRA-SAFE™ Technology<sup>1</sup> enables status indication for those who are color blind
- Dip switch settings for use with or without external control
- Flash rates
  - Red 240 fpm
  - Amber 120 fpm
  - Green/Blue 65 fpm
- NEMA Type 4X enclosure
- Class I, Div. 2, Groups A, B, C and D; Class II, Div 2, Groups F and G; Class III
- Suitable for indoor and outdoor applications
- Option for wall, surface or pipe mounting
- Optional mounting not included
- Operating temperature range: -31F° to 150°F (-35°C to 66°C)



#### Ordering Information

Description	Cat. No.	Operating Voltage <sup>2</sup>	Current	LED Colors	Projected LED Life (L70) <sup>3</sup>	Replacement Lens
Multi-status Indicator LED	<b>105XBRIrGA120A</b>	120V AC	0.100 A	Red, Green, Amber	148,000 hours	105-LC
	<b>105XBRIrGA24D</b>	24V DC	0.150 A	Red, Green, Amber	148,000 hours	105-LC
	<b>105XBRIrBA120A</b>	120V AC	0.100 A	Red, Blue, Amber	148,000 hours	105-LC
	<b>105XBRIrBA24D</b>	24V DC	0.150 A	Red, Blue, Amber	148,000 hours	105-LC

<sup>1</sup>NOTE: See website for more information on our XTRA-SAFE Technology

<sup>2</sup>AC voltage frequency is 50/60 Hz.

<sup>3</sup>LED Manufacturer's Median Projected LED Life for LUXEON Rebel LEDs (L70 at 85°C and T<sub>junction</sub> 98°C). Actual LED life will vary inversely with ambient temperature, voltage, driver current, junction temperature and duty-cycle at which the signaling device is operated. Please refer to <http://www.philipslumileds.com/pdfs/WP15.pdf>.

#### Required Mounting Options

Description	Cat. No.
Mounting Bracket	<b>105BM<sup>4</sup></b>
Outlet Box Attachment	<b>105BX</b>
Pipe Mount Attachment	<b>105PM</b>

<sup>4</sup>Must be used with the 105BX.



# Beacons

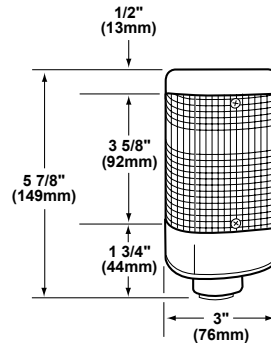
## Multi-Status LED

### 108 Series

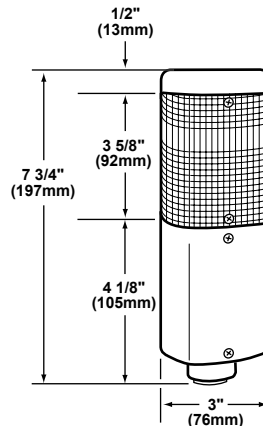
#### Features and Specifications

- 3 LED visual signals in one compact housing
- Option to add an additional module for a fourth light using one of the 102LM lens modules and the 102LS light sources
- 89dB @ 1m/79dB @ 10ft.
- Option to add multi-tone base module
- Option for panel or conduit mounting
- Suitable for indoor and outdoor applications
- NEMA Type 3R and Type 4X
- IP65 rated

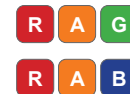
Cat. No. 108IP Series



Cat. No. 108I Series



3" (76mm)



VISUAL SIGNALS

#### Ordering Information

Description	Cat. No.	Operating Voltage <sup>1</sup>	Current	Lens Colors
Pipe Mount (w/tone module)	108I-RGA-N5	120V AC	0.115 A <sup>2</sup>	Red, Green, Amber
	108I-RBA-N5	120V AC	0.115 A <sup>2</sup>	Red, Blue, Amber
	108I-RGA-G1	24V DC	0.105 A <sup>2</sup>	Red, Green, Amber
	108I-RBA-G1	24V DC	0.105 A <sup>2</sup>	Red, Blue, Amber
Pipe Mount - short base (Tone module not available)	108IP-RGA-N5	120V AC	0.045 A	Red, Green, Amber
	108IP-RBA-N5	120V AC	0.045 A	Red, Blue, Amber
	108IP-RGA-G1	24V DC	0.055 A	Red, Green, Amber
	108IP-RBA-G1	24V DC	0.055 A	Red, Blue, Amber
Direct Mount (Tone module not available)	108ID-RGA-N5	120V AC	0.045 A	Red, Green, Amber
	108ID-RBA-N5	120V AC	0.045 A	Red, Blue, Amber
	108ID-RGA-G1	24V DC	0.055 A	Red, Green, Amber
	108ID-RBA-G1	24V DC	0.055 A	Red, Blue, Amber

<sup>1</sup>AC voltage frequency is 50/60 Hz.

<sup>2</sup>Includes tone module.



# Beacons

## Multi-Status LED

### 108 Series

Ordering Information		Continued								
Description	Cat. No.	Operating Voltage	Current	Lens/LED Colors	Peak Candela	Lamp Ratings	Lamp Life Calculated <sup>2</sup>	Lamp Life Projected <sup>3</sup>	Replacement Lamp	
Lens Module	102LM-A	—	—	Amber	—	—	—	—	—	
	102LM-B	—	—	Blue	—	—	—	—	—	
	102LM-C	—	—	Clear	—	—	—	—	—	
	102LM-G	—	—	Green	—	—	—	—	—	
	102LM-R	—	—	Red	—	—	—	—	—	
	102LM-Y	—	—	Yellow	—	—	—	—	—	
Steady-on Halogen	102LS-SINH-N5	120V AC	0.11 A	—	879	12 Watts	20,000 hr.	—	50LMP-12WH	
	102LS-SINH-G1	24V DC	0.32 A	—	653	9 Watts	12,000 hr.	—	50LMP-9WH	
Steady-on Incandescent	102LS-SIN-N5	120V AC	0.08 A	—	829	10 Watts	2,500 hr.	—	50LMP-10W	
	102LS-SIN-G1	24V DC	0.32 A	—	829	10 Watts	10,000 hr.	—	Ind. Trade 303 <sup>5</sup>	
Flashing Halogen	102LS-FINH-N5	120V AC	0.11 A	—	879	12 Watts	20,000 hr.	25,000 hr.	50LMP-12WH	
	102LS-FINH-G1	24V DC	0.32 A	—	653	9 Watts	12,000 hr.	15,000 hr.	50LMP-9WH	
Flashing Incandescent	102LS-FIN-N5	120V AC	0.08 A	—	829	10 Watts	2,500 hr.	3,000 hr.	50LMP-10W	
	102LS-FIN-G1	24V DC	0.32 A	—	829	10 Watts	10,000 hr.	12,500 hr.	Ind. Trade 303 <sup>5</sup>	
Strobe	102LS-ST-N5	120V AC	0.12 A	—	300,000	3 Joule	3,000 hr. <sup>4</sup>	—	—	
	102LS-ST-G1	24V DC	0.30 A	—	300,000	3 Joule	3,000 hr. <sup>4</sup>	—	—	
Steady-on LED	102LS-SLEDA-N5 <sup>1</sup>	120V AC	0.022 A	Amber	—	—	120,000 hr.	—	—	
	102LS-SLEDA-G1 <sup>1</sup>	24V DC	0.062 A							
	102LS-SLEDB-N5 <sup>1</sup>	120V AC	0.022 A	Blue	—	—	120,000 hr.	—	—	
	102LS-SLEDB-G1 <sup>1</sup>	24V DC	0.062 A							
	102LS-SLEDG-N5 <sup>1</sup>	120V AC	0.022 A	Green	—	—	120,000 hr.	—	—	
	102LS-SLEDG-G1 <sup>1</sup>	24V DC	0.062 A							
	102LS-SLEDR-N5 <sup>1</sup>	120V AC	0.022 A	Red	—	—	120,000 hr.	—	—	
	102LS-SLEDR-G1 <sup>1</sup>	24V DC	0.062 A							
	102LS-SLEDW-N5 <sup>1</sup>	120V AC	0.022 A	Clear/ White	—	—	120,000 hr.	—	—	
	102LS-SLEDW-G1 <sup>1</sup>	24V DC	0.062 A							
	Flashing LED	102LS-FLEDA-N5 <sup>1</sup>	120V AC	0.022 A	Amber	—	—	120,000 hr.	—	—
		102LS-FLEDA-G1 <sup>1</sup>	24V DC	0.062 A						
102LS-FLEDB-N5 <sup>1</sup>		120V AC	0.022 A	Blue	—	—	120,000 hr.	—	—	
102LS-FLEDB-G1 <sup>1</sup>		24V DC	0.062 A							
102LS-FLEDG-N5 <sup>1</sup>		120V AC	0.022 A	Green	—	—	120,000 hr.	—	—	
102LS-FLEDG-G1 <sup>1</sup>		24V DC	0.062 A							
102LS-FLEDR-N5 <sup>1</sup>		120V AC	0.022 A	Red	—	—	120,000 hr.	—	—	
102LS-FLEDR-G1 <sup>1</sup>		24V DC	0.062 A							
102LS-FLEDW-N5 <sup>1</sup>		120V AC	0.022 A	Clear/ White	—	—	120,000 hr.	—	—	
102LS-FLEDW-G1 <sup>1</sup>		24V DC	0.062 A							

<sup>1</sup>NOTE: LED light sources must be used with the corresponding color lens module (e.g., a blue LED light source, 102LS-SLEDB-G1, must be used with a blue lens, 102LM-B).

<sup>2</sup>At nominal operating voltage.

<sup>3</sup>Projected lamp life based on manufacturer's calc. lamp life @ 65 fpm and 50% duty cycle.

<sup>4</sup>Strobe tube life @ operating power to 75% efficiency.

<sup>5</sup>User supplied

Accessories				
Description	Cat. No.	Description	Cat. No.	
Pipe Mount Flange	102PMF	Corner Mount Bracket	CBR	
Pipe Extensions (for use with Pipe Mount Flange)	4"	Wall Mount Bracket	WBR	
	10"			102MP-4
	15"			102MP-10
			102MP-15	

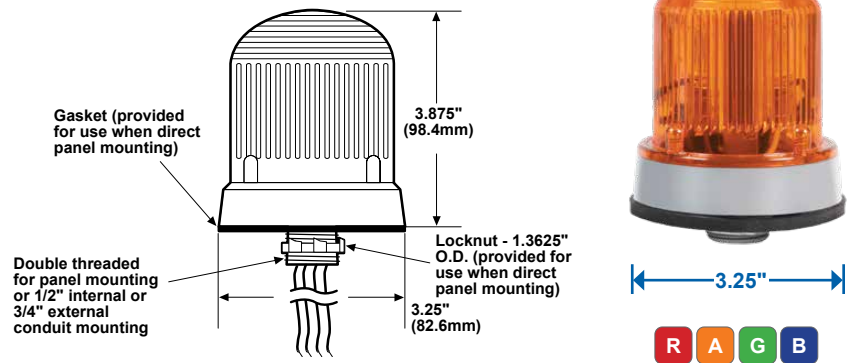
# Beacons

## Steady-On LED

### 125 Class

#### Features and Specifications

- LED light source
- Shatter-resistant polycarbonate lens
- Gray or black glass filled nylon base
- Suitable for use in indoor or outdoor applications
- NEMA Type 4X enclosure
- Option for panel or conduit mounting
- Operating temperature range: -31°F to 150°F (-35°C to 66°C)



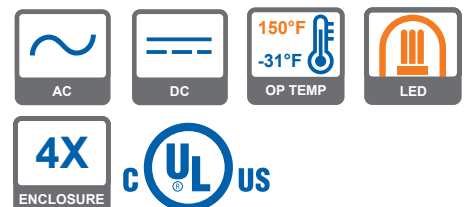
#### Ordering Information

Description	Cat. No.	Operating Voltage <sup>1</sup>	Current	LED Colors	Lamp Ratings	Replacement Lens
Steady-on LED - Gray Base	125LEDSA120A	120V AC	0.097 A	Amber	100,000 hours	125LA
	125LEDSB120A	120V AC	0.097 A	Blue	100,000 hours	125LB
	125LEDSG120A	120V AC	0.097 A	Green	100,000 hours	125LG
	125LEDSR120A	120V AC	0.097 A	Red	100,000 hours	125LR
	125LEDSA24D	24V DC	0.060 A	Amber	100,000 hours	125LA
	125LEDSB24D	24V DC	0.060 A	Blue	100,000 hours	125LB
	125LEDSG24D	24V DC	0.060 A	Green	100,000 hours	125LG
	125LEDSR24D	24V DC	0.060 A	Red	100,000 hours	125LR
Steady-on LED - Black Base	125LEDSA120AB	120V AC	0.097 A	Amber	100,000 hours	125LA
	125LEDSB120AB	120V AC	0.097 A	Blue	100,000 hours	125LB
	125LEDSG120AB	120V AC	0.097 A	Green	100,000 hours	125LG
	125LEDSR120AB	120V AC	0.097 A	Red	100,000 hours	125LR
	125LEDSA24DB	24V DC	0.060 A	Amber	100,000 hours	125LA
	125LEDSB24DB	24V DC	0.060 A	Blue	100,000 hours	125LB
	125LEDSG24DB	24V DC	0.060 A	Green	100,000 hours	125LG
	125LEDSR24DB	24V DC	0.060 A	Red	100,000 hours	125LR

<sup>1</sup>AC voltage frequency is 50/60 Hz

#### Accessories

Description	Cat. No.
Protective Wire Guard	125GRD
Corner Mount Bracket	CBR
Wall Mount Bracket	WBR



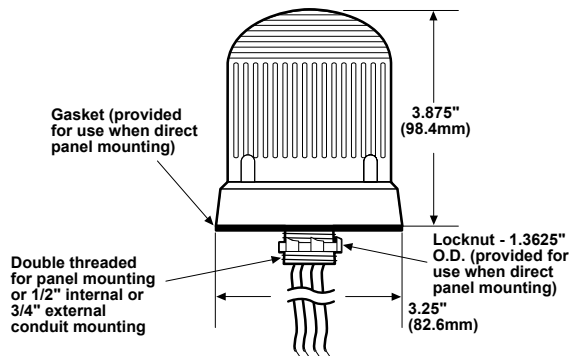
# Beacons

## Steady-On Halogen

### 125 Class

#### Features and Specifications

- Halogen light source
- Shatter-resistant polycarbonate lens
- Gray or black glass filled nylon base
- Suitable for use in indoor or outdoor applications
- NEMA Type 4X enclosure
- Option for panel or conduit mounting
- Operating temperature range: -31°F to 150°F (-35°C to 66°C)



VISUAL SIGNALS

#### Ordering Information

Description	Cat. No.	Operating Voltage <sup>1</sup>	Current	Lens Colors	Replacement	
					Lens	Lamp
Steady-on Beacon Halogen - Gray Base	125HALSA24A	24V AC	0.770 A	Amber	125LA	
	125HALSB24A	24V AC	0.770 A	Blue	125LB	50LMP-9WH-D
	125HALSC24A	24V AC	0.770 A	Clear	125LC	or industry trade
	125HALSG24A	24V AC	0.770 A	Green	125LG	no. 1692 <sup>2</sup>
	125HALSR24A	24V AC	0.770 A	Red	125LR	
	125HALSA120A	120V AC	0.200 A	Amber	125LA	
	125HALSB120A	120V AC	0.200 A	Blue	125LB	50LMP-12WH-D
	125HALSC120A	120V AC	0.200 A	Clear	125LC	or industry trade
	125HALSG120A	120V AC	0.200 A	Green	125LG	no. 15T7DC <sup>2</sup>
	125HALSR120A	120V AC	0.200 A	Red	125LR	
	125HALSA24D	24V DC	0.770 A	Amber	125LA	
	125HALSB24D	24V DC	0.770 A	Blue	125LB	50LMP-9WH-D
	125HALSC24D	24V DC	0.770 A	Clear	125LC	or industry trade
	125HALSG24D	24V DC	0.770 A	Green	125LG	no. 1692 <sup>2</sup>
	125HALSR24D	24V DC	0.770 A	Red	125LR	
	Steady-on Beacon Halogen - Black Base	125HALSA24AB	24V AC	0.770 A	Amber	125LA
125HALSB24AB		24V AC	0.770 A	Blue	125LB	50LMP-9WH-D
125HALSC24AB		24V AC	0.770 A	Clear	125LC	or industry trade
125HALSG24AB		24V AC	0.770 A	Green	125LG	no. 1692 <sup>2</sup>
125HALSR24AB		24V AC	0.770 A	Red	125LR	
125HALSA120AB		120V AC	0.200 A	Amber	125LA	
125HALSB120AB		120V AC	0.200 A	Blue	125LB	50LMP-12WH-D
125HALSC120AB		120V AC	0.200 A	Clear	125LC	or industry trade
125HALSG120AB		120V AC	0.200 A	Green	125LG	no. 15T7DC <sup>2</sup>
125HALSR120AB		120V AC	0.200 A	Red	125LR	
125HALSA24DB		24V DC	0.770 A	Amber	125LA	
125HALSB24DB		24V DC	0.770 A	Blue	125LB	50LMP-9WH-D
125HALSC24DB		24V DC	0.770 A	Clear	125LC	or industry trade
125HALSG24DB		24V DC	0.770 A	Green	125LG	no. 1692 <sup>2</sup>
125HALSR24DB		24V DC	0.770 A	Red	125LR	

<sup>1</sup>AC voltage frequency is 50/60 Hz  
<sup>2</sup>Incandescent lamps, user supplied

#### Accessories

Description	Cat. No.
Protective Wire Guard	125GRD
Corner Mount Bracket	CBR
Wall Mount Bracket	WBR



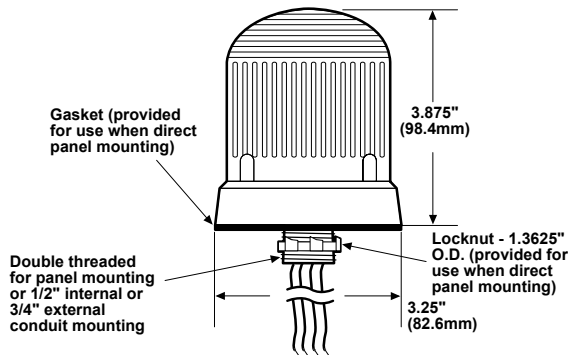
# Beacons

## Steady-On Incandescent

### 125 Class

#### Features and Specifications

- Incandescent light source
- Shatter-resistant polycarbonate lens
- Gray or black glass filled nylon base
- Suitable for use in indoor or outdoor applications
- NEMA Type 4X enclosure
- Option for panel or conduit mounting
- Operating temperature range: -31°F to 150°F (-35°C to 66°C)



#### Ordering Information

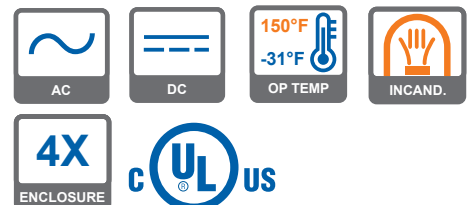
Description	Cat. No.	Operating Voltage <sup>1</sup>	Current	Lens Colors	Replacement	
					Lens	Lamp
Steady-on Beacon Incandescent Grey Base	125INCSA120A	120V AC	0.15 A	Amber	125LA	Industry Trade 15T7DC <sup>2</sup>
	125INCSB120A	120V AC	0.15 A	Blue	125LB	
	125INCSC120A	120V AC	0.15 A	Clear	125LC	
	125INCSG120A	120V AC	0.15 A	Green	125LG	
	125INCSR120A	120V AC	0.15 A	Red	125LR	
	125INCSA24D	24V DC	0.610 A	Amber	125LA	Industry Trade 1692 <sup>2</sup>
	125INCSB24D	24V DC	0.610 A	Blue	125LB	
	125INCSC24D	24V DC	0.610 A	Clear	125LC	
	125INCSG24D	24V DC	0.610 A	Green	125LG	
	125INCSR24D	24V DC	0.610 A	Red	125LR	
Steady-on Beacon Incandescent Black Base	125INCSA120AB	120V AC	0.15 A	Amber	125LA	Industry Trade 15T7DC <sup>2</sup>
	125INCSB120AB	120V AC	0.15 A	Blue	125LB	
	125INCSC120AB	120V AC	0.15 A	Clear	125LC	
	125INCSG120AB	120V AC	0.15 A	Green	125LG	
	125INCSR120AB	120V AC	0.15 A	Red	125LR	
	125INCSA24DB	24V DC	0.610 A	Amber	125LA	Industry Trade 1692 <sup>2</sup>
	125INCSB24DB	24V DC	0.610 A	Blue	125LB	
	125INCSC24DB	24V DC	0.610 A	Clear	125LC	
	125INCSG24DB	24V DC	0.610 A	Green	125LG	
	125INCSR24DB	24V DC	0.610 A	Red	125LR	

<sup>1</sup>AC voltage frequency is 50/60 Hz

<sup>2</sup>User supplied

#### Accessories

Description	Cat. No.
Protective Wire Guard	125GRD



VISUAL SIGNALS

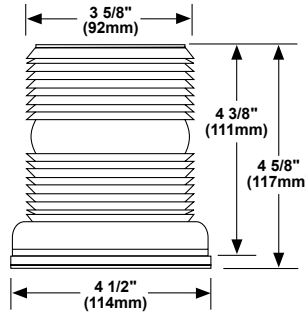
# Beacons

## Steady-On Halogen

### 105 Series

#### Features and Specifications

- Halogen light source
- Shatter-resistant double fresnel polycarbonate lens
- Gray Rynite® (PET) base with brass hardware
- Suitable for use in indoor, outdoor and marine applications
- NEMA Type 4X and Marine rated
- Option for panel, conduit or wall mounting
- Class 1, Div 2, Groups A, B, C and D; Class II, Div 2, Groups F and G; Class III



VISUAL SIGNALS

#### Ordering Information

Description	Cat. No.	Operating Voltage	Current	Lens Color	Peak Candela	Lamp Ratings	Replacement	
							Lens	Lamp
Steady-on Beacon Halogen - AC	105SINHA-G5	24V AC	0.8 A	Amber	2839	20W, 20,000 hours <sup>1,2</sup>	105-LA	50LMP-20WH or Ind. Trade No. 1692 <sup>3</sup>
	105SINHB-G5	24V AC	0.8 A	Blue			105-LB	
	105SINHC-G5	24V AC	0.8 A	Clear			105-LC	
	105SINHG-G5	24V AC	0.8 A	Green			105-LG	
	105SINHM-G5	24V AC	0.8 A	Magenta			105-LM	
	105SINHR-G5	24V AC	0.8 A	Red			105-LR	
	105SINHA-N5	120V AC	0.2 A	Amber	2198	25W, 20,000 hours <sup>1,2</sup>	105-LA	50LMP-25WH or Ind. Trade No. 25T8DC <sup>3</sup>
	105SINHB-N5	120V AC	0.2 A	Blue			105-LB	
	105SINHC-N5	120V AC	0.2 A	Clear			105-LC	
	105SINHG-N5	120V AC	0.2 A	Green			105-LG	
	105SINHM-N5	120V AC	0.2 A	Magenta			105-LM	
	105SINHR-N5	120V AC	0.2 A	Red			105-LR	
Steady-on Beacon Halogen - DC	105SINHA-G1	24V DC	0.8 A	Amber	2839	20W, 20,000 hours <sup>1,2</sup>	105-LA	50LMP-20WH or Ind. Trade No. 1692 <sup>3</sup>
	105SINHB-G1	24V DC	0.8 A	Blue			105-LB	
	105SINHC-G1	24V DC	0.8 A	Clear			105-LC	
	105SINHG-G1	24V DC	0.8 A	Green			105-LG	
	105SINHM-G1	24V DC	0.8 A	Magenta			105-LM	
	105SINHR-G1	24V DC	0.8 A	Red			105-LR	

<sup>1</sup>At nominal operating voltage.

<sup>2</sup>Projected lamp life based on manufacturer's calculated lamp life at 65 fpm and 50% duty cycle.

<sup>3</sup>Incandescent lamp, user supplied

#### Required Mounting Options

Description	Cat. No.
Wall Mount Bracket	105BM <sup>1</sup>
Outlet Box Attachment	105BX
Pipe Mount Attachment	105PM

<sup>1</sup>Must be used with 105BX.



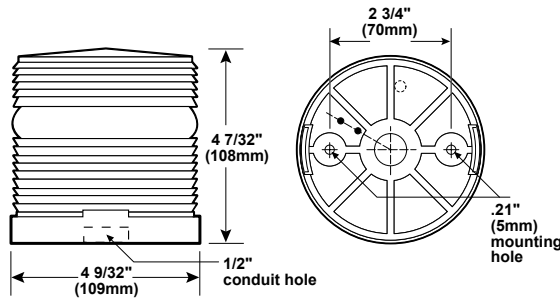
# Beacons

## Steady-On Halogen or Incandescent

### 48 Series

#### Features and Specifications

- Halogen or Incandescent light source
- Quick snap-on, high-impact polycarbonate lens
- Gray ABS base
- Suitable for use in indoor and outdoor applications
- NEMA Type 4X enclosure
- Option for panel or conduit mounting
- Operating temperature range: -31°F to 150°F (-35°C to 66°C)



Use Cat. No. GSK-KIT gasket kit suitable for outdoor surface mount installation on AC units

#### Ordering Information

Description	Cat. No.	Operating Voltage	Operating Current	Lamp Ratings <sup>1</sup>	Lens Colors	Replacement	
						Lens	Lamp
Steady-on Beacon Halogen Light Source	48SINR-G5-20WH	24V AC	0.80 A	175 lumens, 2198 candela, 20,000 hr.	Red	96-LR	50LMP-20WH or Ind. Trade No. 1692 <sup>2</sup>
	48SING-G5-20WH	24V AC	0.80 A		Green	96-LG	
	48SINA-G5-20WH	24V AC	0.80 A		Amber	96-LA	
	48SINB-G5-20WH	24V AC	0.80 A		Blue	96-LB	
	48SINC-G5-20WH	24V AC	0.80 A		Clear	96-LC	
	48SINM-G5-20WH	24V AC	0.80 A		Magenta	96-LM	
	48SINR-N5-25WH	120V AC	0.20 A	20 watts, 226 lumens, 2839 candela, 20,000 hr.	Red	96-LR	50LMP-25WH or Ind. Trade No. 25T8DC <sup>2</sup>
	48SING-N5-25WH	120V AC	0.20 A		Green	96-LG	
	48SINA-N5-25WH	120V AC	0.20 A		Amber	96-LA	
	48SINB-N5-25WH	120V AC	0.20 A		Blue	96-LB	
	48SINC-N5-25WH	120V AC	0.20 A		Clear	96-LC	
	48SINM-N5-25WH	120V AC	0.20 A	Magenta	96-LM		
	48SINR-G1-20WH	24V DC	0.80 A	20 watts, 226 lumens, 2839 candela, 20,000 hr.	Red	96-LR	50LMP-20WH or Ind. Trade No. 1692 <sup>2</sup>
	48SING-G1-20WH	24V DC	0.80 A		Green	96-LG	
	48SINA-G1-20WH	24V DC	0.80 A		Amber	96-LA	
	48SINB-G1-20WH	24V DC	0.80 A		Blue	96-LB	
	48SINC-G1-20WH	24V DC	0.80 A		Clear	96-LC	
	48SINM-G1-20WH	24V DC	0.80 A		Magenta	96-LM	
Steady-on Beacons Incandescent Light Source	48SINR-E1	12V DC	1.0 A	15 watts, 189 lumens, 2374 candela, 1,520 hr.	Red	96-LR	Industry Trade No. 94 <sup>3</sup>
	48SING-E1	12V DC	1.0 A		Green	96-LG	
	48SINA-E1	12V DC	1.0 A		Amber	96-LA	
	48SINB-E1	12V DC	1.0 A		Blue	96-LB	
	48SINC-E1	12V DC	1.0 A		Clear	96-LC	
	48SINM-E1	12V DC	1.0 A		Magenta	96-LM	

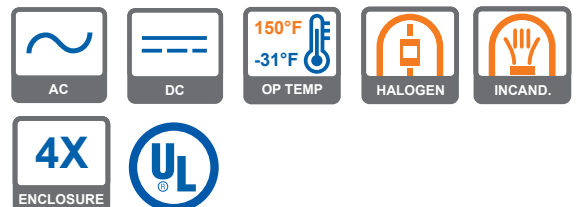
<sup>1</sup>Projected lamp life based on manufacturer's calculated lamp life at 65 fpm and 50% duty cycle.

<sup>2</sup>Incandescent lamps, user supplied

<sup>3</sup>User supplied

#### Accessories

Description	Cat. No.
Gasket Kit suitable for outdoor surface installation – AC models	GSK-KIT
Corner Mount Bracket	CBR
Wall Mount Bracket	WBR



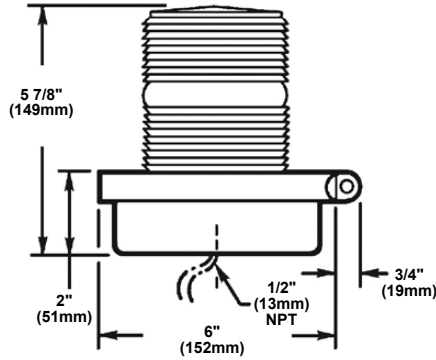
# Beacons

## Steady-On Halogen

### 50 Series

#### Features and Specifications

- Halogen light source
- Shatter-resistant double fresnel polycarbonate lens
- Cast aluminum base can function as a junction box
- Suitable for use in indoor and outdoor applications
- Designed for 4" octagonal box
- Option for panel or conduit mounting
- Operating temperature range: -31°F to 150°F (-35°C to 66°C)



#### Ordering Information

Description	Cat. No.	Operating Voltage <sup>1</sup>	Current	Lamp Ratings	Lens Colors	Replacement	
						Lens	Lamp
Steady-on Beacon Halogen	50SINR-N5-40WH	120V AC	0.29 A	40 watts, 265 lumens <sup>2</sup> 3328 candela 20,000 hours <sup>3</sup>	Red	92-LR	50LMP-40WH
	50SINA-N5-40WH	120V AC	0.29 A		Amber	92-LA	50LMP-40WH
	50SINB-N5-40WH	120V AC	0.29 A		Blue	92-LB	50LMP-40WH
	50SING-N5-40WH	120V AC	0.29 A		Green	92-LG	50LMP-40WH
	50SINM-N5-40WH	120V AC	0.29 A		Magenta	92-LM	50LMP-40WH
	50SINC-N5-40WH	120V AC	0.29 A		Clear	92-LC	50LMP-40WH

<sup>1</sup>AC voltage frequency is 50/60 Hz

<sup>2</sup>Bulb manufacturer's lumen rating

<sup>3</sup>Projected lamp life based on manufacturer's calculated lamp life at 65 fpm and 50% duty cycle.

#### Accessories

Description	Cat. No.
Corner Mount Bracket	CBR
Wall Mount Bracket	WBR
Lens Guard	92-GRD



# Beacons: Explosionproof Steady-On Halogen 116 Series



← 7.25" →



**NOTE:** Mounting options not included (ordered separately)

## Features and Specifications

- Halogen light source
- Cast aluminum housing with epoxy powder coat and dome guard
- Quick connect for easy assembly and installation
- Suitable for use in indoor, outdoor, hazardous and marine applications
- NEMA Type 3R and Type 4X – Marine Rated
- Diode polarized for use on supervised circuits
- Cast aluminum housing
- Pendant, ceiling, bracket or stanchion mounting options (ordered separately)
- Explosionproof: Class I, Div 2, Groups A and B; Class I, Div 1 and 2, Groups C and D; Class II and III, Div 1, Groups E, F and G; Class II and III, Div 2, Group G

## Ordering Information

Description	Cat. No.	Operating		Peak Candela	Lens Colors	Dome Guard	Replacement		
		Voltage	Current				Dome	Inner Lens	Lamp
Steady-on Beacon Halogen	<b>116DEXMSINHA-GW</b>	24 - 28V DC	0.8 A	2838	Amber	116-GRD	116-Globe	116-RIN-LA	50LMP-20WH
	<b>116DEXMSINHB-GW</b>	24 - 28V DC	0.8 A	2838	Blue	116-GRD	116-Globe	116-RIN-LB	20W Halogen Bulb
	<b>116DEXMSINHC-GW</b>	24 - 28V DC	0.8 A	2838	Clear	116-GRD	116-Globe	116-RIN-LC	25,000 hours. <sup>1</sup>
	<b>116DEXMSINHG-GW</b>	24 - 28V DC	0.8 A	2838	Green	116-GRD	116-Globe	116-RIN-LG	or Ind. Trade No. 1692 <sup>2</sup>
	<b>116DEXMSINHM-GW</b>	24 - 28V DC	0.8 A	2838	Magenta	116-GRD	116-Globe	116-RIN-LM	
	<b>116DEXMSINHR-GW</b>	24 - 28V DC	0.8 A	2838	Red	116-GRD	116-Globe	116-RIN-LR	

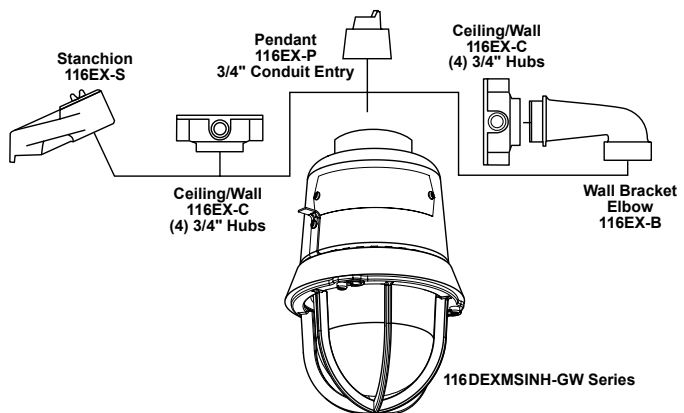
<sup>1</sup>Projected lamp life based on manufacturer's calculated lamp life at 65 fpm and 50% duty cycle.

<sup>2</sup>Incandescent lamp, user supplied

## Required Mounting Options

Description	Cat. No.
Wall Bracket Mounting Elbow	<b>116EX-B</b>
Ceiling/Wall Mounting Module	<b>116EX-C</b>
Pendant Mounting Module	<b>116EX-P</b>
Stanchion Mounting Module	<b>116EX-S</b>

## Mounting Options



VISUAL SIGNALS



# Beacons: Explosionproof Steady-On Halogen 116 Series



← 7.25" →



**NOTE: Mounting options not included (ordered separately)**

## Features and Specifications

- Halogen light source
- Cast aluminum housing with epoxy powder coat and dome guard
- Quick connect for easy assembly and installation
- Suitable for use in indoor, outdoor, hazardous and marine applications
- NEMA Type 3R and Type 4X – Marine Rated
- Cast aluminum housing
- Pendant, ceiling, bracket or stanchion mounting options (ordered separately)
- Explosionproof: Class I, Div 2, Groups A and B; Class I, Div 1 and 2, Groups C and D; Class II and III, Div 1, Groups E, F and G; Class II and III, Div 2, Group G

## Ordering Information

Description	Cat. No.	Operating Voltage <sup>1</sup>	Current	Peak Candela	Lens Colors	Replacement			
						Dome Guard	Dome	Inner Lens	Lamp
Steady-on Beacon Halogen	116EXMSINHA-N5	120V AC	0.35 A	3328	Amber	116-GRD	116-Globe	116-RIN-LA	
	116EXMSINHB-N5	120V AC	0.35 A	3328	Blue	116-GRD	116-Globe	116-RIN-LB	
	116EXMSINHC-N5	120V AC	0.35 A	3328	Clear	116-GRD	116-Globe	116-RIN-LC	50LMP-40WH
	116EXMSINHG-N5	120V AC	0.35 A	3328	Green	116-GRD	116-Globe	116-RIN-LG	25,000 hours. <sup>2</sup>
	116EXMSINHM-N5	120V AC	0.35 A	3328	Magenta	116-GRD	116-Globe	116-RIN-LM	
	116EXMSINHR-N5	120V AC	0.35 A	3328	Red	116-GRD	116-Globe	116-RIN-LR	

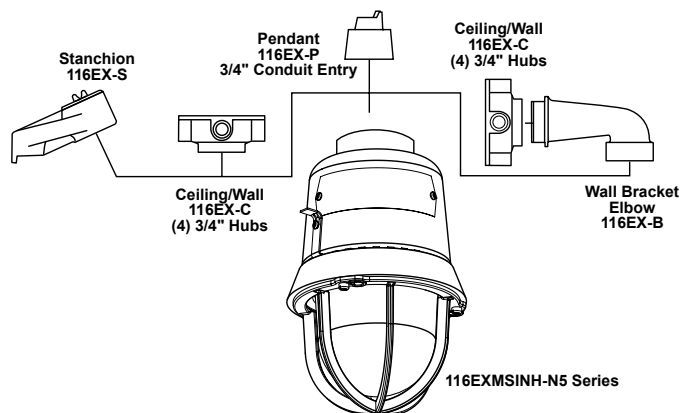
<sup>1</sup>AC voltage frequency is 50/60 Hz

<sup>2</sup>Projected life based on manufacturer's calculated lamp life.

## Required Mounting Options

Description	Cat. No.
Wall Bracket Mounting Elbow	116EX-B
Ceiling/Wall Mounting Module	116EX-C
Pendant Mounting Module	116EX-P
Stanchion Mounting Module	116EX-S

## Mounting Options



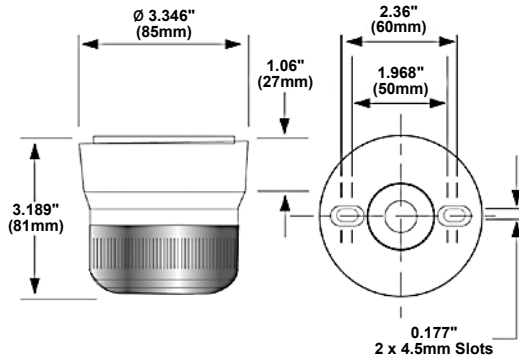
# Beacons

## Steady-On LED

### Klaxon Series

#### Features and Specifications

- LED light source
- Compact, ultra modern sleek appearance
- IP65 rated
- White, high quality polycarbonate housing
- Suitable for use in indoor and outdoor applications
- Vandal-resistant safety locking mechanism
- Operating temperature range: -4°F to 158°F (-20°C to +70°C)



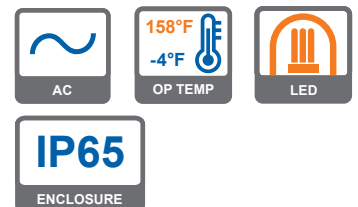
3.346"



#### Ordering Information

Description	New Cat. No. (Use For Ordering)	Old Cat. No.	Operating Voltage	Current	Lens Colors
LED Beacon Steady-on	QBS-0007	45-711611	110V AC	0.032 A	Red
	QBS-0008	45-711621	110V AC	0.032 A	Amber
	QBS-0009	45-711631	110V AC	0.032 A	Clear
	QBS-0010	45-711641	110V AC	0.032 A	Blue
	QBS-0011	45-711651	110V AC	0.032 A	Green
	QBS-0022	45-712611	230V AC	0.032 A	Red
	QBS-0023	45-712621	230V AC	0.032 A	Amber
	QBS-0024	45-712631	230V AC	0.032 A	Clear
	QBS-0025	45-712641	230V AC	0.032 A	Blue
	QBS-0026	45-712651	230V AC	0.032 A	Green

VISUAL SIGNALS



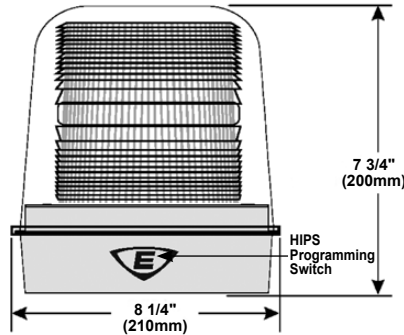
# Beacons

## Multi-Mode LED

### Polaris Class - 94 Series

#### Features and Specifications

- Multi-mode LED (steady-on plus fifteen flash patterns)
- LED light source
- Six lens colors
- 3/4" (19mm) NPT threaded conduit
- Hidden in Plain Sight (HIPS) switch
- High level of immunity to shock and vibration
- Black or gray base option
- Cast base can function as junction box
- NEMA Type 4X and IP66 rated
- Operating temperature range: -31°F to 150.8°F (-35°C to 66°C)



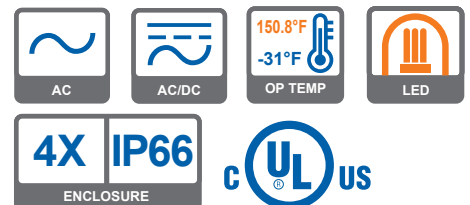
VISUAL SIGNALS

#### Ordering Information

Description	Cat. No.	Operating Voltage <sup>1</sup>	Current	Lens Colors	Projected LED Life (L70) <sup>2</sup>	Replacement	
						Dome	Lens
Multi-mode LED Gray Base AC	<b>94PLEDMA120A</b>	120V AC	0.250 A	Amber	148,000	94DV2-DC	93-LA
	<b>94PLEDMB120A</b>	120V AC	0.250 A	Blue	148,000	94DV2-DC	93-LB
	<b>94PLEDMG120A</b>	120V AC	0.250 A	Green	148,000	94DV2-DC	93-LG
	<b>94PLEDMM120A</b>	120V AC	0.250 A	Magenta	148,000	94DV2-DC	93-LM
	<b>94PLEDMR120A</b>	120V AC	0.250 A	Red	148,000	94DV2-DC	93-LR
	<b>94PLEDMW120A</b>	120V AC	0.250 A	Clear	148,000	94DV2-DC	93-LC
Multi-mode LED Black Base AC	<b>94PLEDMA120AB</b>	120V AC	0.250 A	Amber	148,000	94DV2-DC	93-LA
	<b>94PLEDMB120AB</b>	120V AC	0.250 A	Blue	148,000	94DV2-DC	93-LB
	<b>94PLEDMG120AB</b>	120V AC	0.250 A	Green	148,000	94DV2-DC	93-LG
	<b>94PLEDMM120AB</b>	120V AC	0.250 A	Magenta	148,000	94DV2-DC	93-LM
	<b>94PLEDMR120AB</b>	120V AC	0.250 A	Red	148,000	94DV2-DC	93-LR
	<b>94PLEDMW120AB</b>	120V AC	0.250 A	Clear	148,000	94DV2-DC	93-LC

<sup>1</sup>AC voltage frequency is 50/60 Hz

<sup>2</sup>LED Manufacturer's Median Projected LED Life for LUXEON Rebel LEDs (L70 at 85°C and Tjunction 98°C). Actual LED life will vary inversely with ambient temperature, voltage, driver current, junction temperature and duty-cycle at which the signaling device is operated. Please refer to <http://www.philipslumileds.com/pdfs/WP15.pdf>.



# Beacons

## Multi-Mode LED

### Polaris Class - 94 Series

Ordering Information		Continued					
Description	Cat. No.	Operating Voltage <sup>1</sup>	Current	Lens Colors	Projected LED Life (L70) <sup>2</sup>	Replacement	
						Dome	Lens
Multi-mode LED Gray Base AC/DC	<b>94PLEDMA24AD</b>	12V DC 24V AC/DC	0.700 A 0.550 A	Amber	148,000	94DV2-DC	93-LA
	<b>94PLEDMB24AD</b>	12V DC 24V AC/DC	0.700 A 0.550 A	Blue	148,000	94DV2-DC	93-LB
	<b>94PLEDMG24AD</b>	12V DC 24V AC/DC	0.700 A 0.550 A	Green	148,000	94DV2-DC	93-LG
	<b>94PLEDMM24AD</b>	12V DC 24V AC/DC	0.700 A 0.550 A	Magenta	148,000	94DV2-DC	93-LM
	<b>94PLEDMR24AD</b>	12V DC 24V AC/DC	0.700 A 0.550 A	Red	148,000	94DV2-DC	93-LR
	<b>94PLEDMW24AD</b>	12V DC 24V AC/DC	0.700 A 0.550 A	Clear	148,000	94DV2-DC	93-LC
Multi-mode LED Black Base AC/DC	<b>94PLEDMA24ADB</b>	12V DC 24V AC/DC	0.700 A 0.550 A	Amber	148,000	94DV2-DC	93-LA
	<b>94PLEDMB24ADB</b>	12V DC 24V AC/DC	0.700 A 0.550 A	Blue	148,000	94DV2-DC	93-LB
	<b>94PLEDMG24ADB</b>	12V DC 24V AC/DC	0.700 A 0.550 A	Green	148,000	94DV2-DC	93-LG
	<b>94PLEDMM24ADB</b>	12V DC 24V AC/DC	0.700 A 0.550 A	Magenta	148,000	94DV2-DC	93-LM
	<b>94PLEDMR24ADB</b>	12V DC 24V AC/DC	0.700 A 0.550 A	Red	148,000	94DV2-DC	93-LR
	<b>94PLEDMW24ADB</b>	12V DC 24V AC/DC	0.700 A 0.550 A	Clear	148,000	94DV2-DC	93-LC

<sup>1</sup>AC voltage frequency is 50/60 Hz

<sup>2</sup>LED Manufacturer's Median Projected LED Life for LUXEON Rebel LEDs (L70 at 85°C and Tjunction 98°C). Actual LED life will vary inversely with ambient temperature, voltage, driver current, junction temperature and duty-cycle at which the signaling device is operated. Please refer to <http://www.philipslumileds.com/pdfs/WP15.pdf>.

Accessories	
Description	Cat. No.
Corner Mount Bracket	<b>CBR</b>
Wall Mount Bracket	<b>WBR</b>

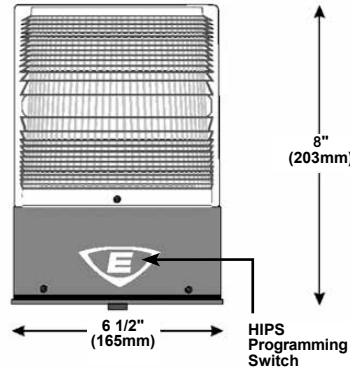
# Beacons

## Multi-Mode LED

### Polaris Class - 57 Series

#### Features and Specifications

- Multi-mode LED (steady-on plus fifteen flash patterns)
- LED light source
- Six lens colors
- 3/4" (19mm) NPT threaded conduit
- Hidden in Plain Sight (HIPS) switch
- High level of immunity to shock and vibration
- Black or gray base option
- NEMA Type 4X and IP66 rated
- Operating temperature range: -31°F to 150.8°F (-35°C to 66°C)



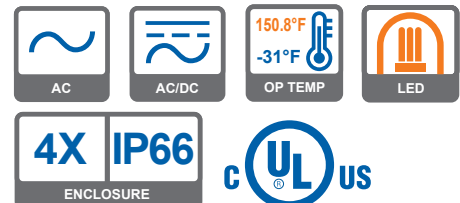
VISUAL SIGNALS

#### Ordering Information

Description	Cat. No.	Operating Voltage <sup>1</sup>	Current	Lens Colors	Projected LED Life (L70) <sup>2</sup>	Replacement	
						Dome	Lens
Multi-mode LED AC Gray Base	<b>57PLEDMA120A</b>	120V AC	0.250 A	Amber	148,000	57E-DC	57E-LA
	<b>57PLEDMB120A</b>	120V AC	0.250 A	Blue	148,000	57E-DC	57E-LB
	<b>57PLEDMG120A</b>	120V AC	0.250 A	Green	148,000	57E-DC	57E-LG
	<b>57PLEDMM120A</b>	120V AC	0.250 A	Magenta	148,000	57E-DC	57E-LM
	<b>57PLEDMR120A</b>	120V AC	0.250 A	Red	148,000	57E-DC	57E-LR
	<b>57PLEDMW120A</b>	120V AC	0.250 A	Clear	148,000	57E-DC	57E-LC
Multi-mode LED AC Black Base	<b>57PLEDMA120AB</b>	120V AC	0.250 A	Amber	148,000	57E-DC	57E-LA
	<b>57PLEDMB120AB</b>	120V AC	0.250 A	Blue	148,000	57E-DC	57E-LB
	<b>57PLEDMG120AB</b>	120V AC	0.250 A	Green	148,000	57E-DC	57E-LG
	<b>57PLEDMM120AB</b>	120V AC	0.250 A	Magenta	148,000	57E-DC	57E-LM
	<b>57PLEDMR120AB</b>	120V AC	0.250 A	Red	148,000	57E-DC	57E-LR
	<b>57PLEDMW120AB</b>	120V AC	0.250 A	Clear	148,000	57E-DC	57E-LC

<sup>1</sup>AC voltage frequency is 50/60 Hz

<sup>2</sup>LED Manufacturer's Median Projected LED Life for LUXEON Rebel LEDs (L70 at 85°C and Tjunction 98°C). Actual LED life will vary inversely with ambient temperature, voltage, driver current, junction temperature and duty-cycle at which the signaling device is operated. Please refer to <http://www.philipsumileds.com/pdfs/WP15.pdf>.



# Beacons

## Multi-Mode LED

### Polaris Class - 57 Series

Ordering Information		Continued					
Description	Cat. No.	Operating Voltage <sup>1</sup>	Current	Lens Colors	Projected LED Life (L70) <sup>2</sup>	Replacement	
						Dome	Lens
Multi-mode LED AC/DC Gray Base	<b>57PLEDMA24AD</b>	12V DC 24V AC/DC	0.700 A 0.550 A	Amber	148,000	57E-DC	57E-LA
	<b>57PLEDMB24AD</b>	12V DC 24V AC/DC	0.700 A 0.550 A	Blue	148,000	57E-DC	57E-LB
	<b>57PLEDMG24AD</b>	12V DC 24V AC/DC	0.700 A 0.550 A	Green	148,000	57E-DC	57E-LG
	<b>57PLEDMM24AD</b>	12V DC 24V AC/DC	0.700 A 0.550 A	Magenta	148,000	57E-DC	57E-LM
	<b>57PLEDMR24AD</b>	12V DC 24V AC/DC	0.700 A 0.550 A	Red	148,000	57E-DC	57E-LR
	<b>57PLEDMW24AD</b>	12V DC 24V AC/DC	0.700 A 0.550 A	Clear	148,000	57E-DC	57E-LC
Multi-mode LED AC/DC Black Base	<b>57PLEDMA24ADB</b>	12V DC 24V AC/DC	0.700 A 0.550 A	Amber	148,000	57E-DC	57E-LA
	<b>57PLEDMB24ADB</b>	12V DC 24V AC/DC	0.700 A 0.550 A	Blue	148,000	57E-DC	57E-LB
	<b>57PLEDMG24ADB</b>	12V DC 24V AC/DC	0.700 A 0.550 A	Green	148,000	57E-DC	57E-LG
	<b>57PLEDMM24ADB</b>	12V DC 24V AC/DC	0.700 A 0.550 A	Magenta	148,000	57E-DC	57E-LM
	<b>57PLEDMR24ADB</b>	12V DC 24V AC/DC	0.700 A 0.550 A	Red	148,000	57E-DC	57E-LR
	<b>57PLEDMW24ADB</b>	12V DC 24V AC/DC	0.700 A 0.550 A	Clear	148,000	57E-DC	57E-LC

<sup>1</sup>AC voltage frequency is 50/60 Hz

<sup>2</sup>LED Manufacturer's Median Projected LED Life for LUXEON Rebel LEDs (L70 at 85°C and Tjunction 98°C). Actual LED life will vary inversely with ambient temperature, voltage, driver current, junction temperature and duty-cycle at which the signaling device is operated. Please refer to <http://www.philipslumileds.com/pdfs/WP15.pdf>.

Accessories	
Description	Cat. No.
Corner Mount Bracket	<b>CBR</b>
Wall Mount Bracket	<b>WBR</b>

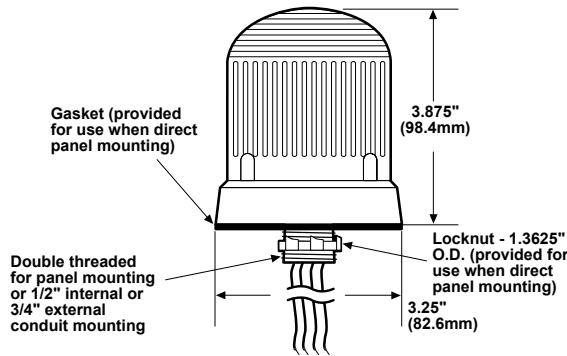
# Beacons

## Multi-Mode LED

### 125XBR Class

#### Features and Specifications

- Multi-mode LED
  - 125XBRM – steady-on/flashing (65 fpm)
  - 125XBRZ – steady-on/lightburst (420 fpm)
- LED light source
- Gray or black glass filled nylon base
- Protective wire guard available
- Option for panel or conduit mounting
- NEMA Type 4X enclosure
- Operating temperature range: -31°F to 150°F (-35°C to 66°C)



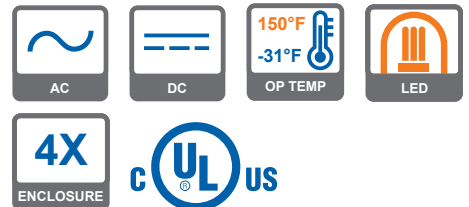
VISUAL SIGNALS

#### Ordering Information

Description	Cat. No.	Operating Voltage <sup>1</sup>	Current	LED Colors	Projected LED Life (L70) <sup>2</sup>	Replacement Lens
Steady-on/ Flashing LED - Gray Base	125XBRMA120A	120V AC	0.108 A	Amber	148,000 hours	125LA
	125XBRMB120A	120V AC	0.108 A	Blue	148,000 hours	125LB
	125XBRMG120A	120V AC	0.108 A	Green	148,000 hours	125LG
	125XBRMR120A	120V AC	0.108 A	Red	148,000 hours	125LR
	125XBRMW120A	120V AC	0.108 A	White	148,000 hours	125LC
	125XBRMA24D	24V DC	0.215 A	Amber	148,000 hours	125LA
	125XBRMB24D	24V DC	0.215 A	Blue	148,000 hours	125LB
	125XBRMG24D	24V DC	0.215 A	Green	148,000 hours	125LG
	125XBRMR24D	24V DC	0.215 A	Red	148,000 hours	125LR
	125XBRMW24D	24V DC	0.215 A	White	148,000 hours	125LC
Steady-on/ Flashing LED - Black Base	125XBRMA120AB	120V AC	0.108 A	Amber	148,000 hours	125LA
	125XBRMB120AB	120V AC	0.108 A	Blue	148,000 hours	125LB
	125XBRMG120AB	120V AC	0.108 A	Green	148,000 hours	125LG
	125XBRMR120AB	120V AC	0.108 A	Red	148,000 hours	125LR
	125XBRMW120AB	120V AC	0.108 A	White	148,000 hours	125LC
	125XBRMA24DB	24V DC	0.215 A	Amber	148,000 hours	125LA
	125XBRMB24DB	24V DC	0.215 A	Blue	148,000 hours	125LB
	125XBRMG24DB	24V DC	0.215 A	Green	148,000 hours	125LG
	125XBRMR24DB	24V DC	0.215 A	Red	148,000 hours	125LR
	125XBRMW24DB	24V DC	0.215 A	White	148,000 hours	125LC
Steady-on/ Lightburst LED - Gray Base	125XBRZA120A	120V AC	0.108 A	Amber	148,000 hours	125LA
	125XBRZB120A	120V AC	0.108 A	Blue	148,000 hours	125LB
	125XBRZG120A	120V AC	0.108 A	Green	148,000 hours	125LG
	125XBRZR120A	120V AC	0.108 A	Red	148,000 hours	125LR
	125XBRZW120A	120V AC	0.108 A	White	148,000 hours	125LC
	125XBRZA24D	24V DC	0.215 A	Amber	148,000 hours	125LA
	125XBRZB24D	24V DC	0.215 A	Blue	148,000 hours	125LB
	125XBRZG24D	24V DC	0.215 A	Green	148,000 hours	125LG
	125XBRZR24D	24V DC	0.215 A	Red	148,000 hours	125LR
	125XBRZW24D	24V DC	0.215 A	White	148,000 hours	125LC

<sup>1</sup>AC voltage frequency is 50/60 Hz

<sup>2</sup>LED Manufacturer's Median Projected LED Life for LUXEON Rebel LEDs (L70 at 85°C and T<sub>junction</sub> 98°C). Actual LED life will vary inversely with ambient temperature, voltage, driver current, junction temperature and duty-cycle at which the signaling device is operated. Please refer to <http://www.philipslumileds.com/pdfs/WP15.pdf>.



# Beacons

## Multi-Mode LED

### 125XBR Class

Ordering Information		Continued				
Description	Cat. No.	Operating Voltage <sup>1</sup>	Current	LED Colors	Projected LED Life (L70) <sup>2</sup>	Replacement Lens
Steady-on/ Lightburst LED - Black Base	<b>125XBRZA120AB</b>	120V AC	0.108 A	Amber	148,000 hours	125LA
	<b>125XBRZB120AB</b>	120V AC	0.108 A	Blue	148,000 hours	125LB
	<b>125XBRZG120AB</b>	120V AC	0.108 A	Green	148,000 hours	125LG
	<b>125XBRZR120AB</b>	120V AC	0.108 A	Red	148,000 hours	125LR
	<b>125XBRZW120AB</b>	120V AC	0.108 A	White	148,000 hours	125LC
	<b>125XBRZA24DB</b>	24V DC	0.215 A	Amber	148,000 hours	125LA
	<b>125XBRZB24DB</b>	24V DC	0.215 A	Blue	148,000 hours	125LB
	<b>125XBRZG24DB</b>	24V DC	0.215 A	Green	148,000 hours	125LG
	<b>125XBRZR24DB</b>	24V DC	0.215 A	Red	148,000 hours	125LR
	<b>125XBRZW24DB</b>	24V DC	0.215 A	White	148,000 hours	125LC

<sup>1</sup>AC voltage frequency is 50/60 Hz

<sup>2</sup>LED Manufacturer's Median Projected LED Life for LUXEON Rebel LEDs (L70 at 85°C and T<sub>junction</sub> 98°C). Actual LED life will vary inversely with ambient temperature, voltage, driver current, junction temperature and duty-cycle at which the signaling device is operated. Please refer to <http://www.philipslumileds.com/pdfs/WP15.pdf>.

Accessories	
Description	Cat. No.
Protective Wire Guard	<b>125GRD</b>
Corner Mount Bracket	<b>CBR</b>
Wall Mount Bracket	<b>WBR</b>



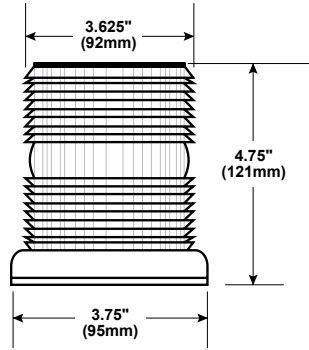
# Beacons

## Multi-Mode LED

### 105XBR Series

#### Features and Specifications

- Multi-mode (flashing or steady-on)
- LED light source
- Flash rate 65 fpm
- Gray Rynite® (PET) base
- Option for panel, conduit or wall mounting
- NEMA Type 4X enclosure
- UL Listed for Marine applications
- Class I, Div 2, Groups A, B, C and D; Class II, Div 2, Groups F and G; Class III
- Operating temperature range: -31°F to 150°F (-35°C to 66°C)



VISUAL SIGNALS

#### Ordering Information

Description	Cat. No.	Operating Voltage <sup>1</sup>	Current	LED Colors	Projected LED Life (L70) <sup>2</sup>	Replacement Lens
LED Multi-mode AC	<b>105XBRMA120A</b>	120V AC	0.108 A	Amber	148,000 hours	105-LA
	<b>105XBRR120A</b>	120V AC	0.108 A	Blue	148,000 hours	105-LB
	<b>105XBRMG120A</b>	120V AC	0.108 A	Green	148,000 hours	105-LG
	<b>105XBRMR120A</b>	120V AC	0.108 A	Red	148,000 hours	105-LR
	<b>105XBRMW120A</b>	120V AC	0.108 A	White	148,000 hours	105-LC
LED Multi-mode DC	<b>105XBRMA24D</b>	24V DC	0.215 A	Amber	148,000 hours	105-LA
	<b>105XBRR24D</b>	24V DC	0.215 A	Blue	148,000 hours	105-LB
	<b>105XBRMG24D</b>	24V DC	0.215 A	Green	148,000 hours	105-LG
	<b>105XBRMR24D</b>	24V DC	0.215 A	Red	148,000 hours	105-LR
	<b>105XBRMW24D</b>	24V DC	0.215 A	White	148,000 hours	105-LC

<sup>1</sup>AC voltage frequency is 50/60 Hz

<sup>2</sup>LED Manufacturer's Median Projected LED Life for LUXEON Rebel LEDs (L70 at 85°C and T<sub>junction</sub> 98°C). Actual LED life will vary inversely with ambient temperature, voltage, driver current, junction temperature and duty-cycle at which the signaling device is operated. Please refer to <http://www.philipsumileds.com/pdfs/WP15.pdf>.

#### Required Mounting Options

Description	Cat. No.
Mounting Bracket	<b>105BM<sup>3</sup></b>
Outlet Box Attachment	<b>105BX</b>
Pipe Mount Attachment	<b>105PM</b>

<sup>3</sup>Must be used with the 105BX



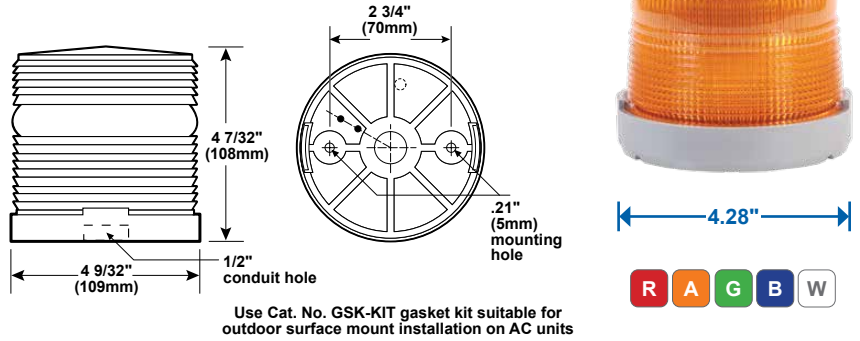
# Beacons

## Multi-Mode LED

### 48XBR Series

#### Features and Specifications

- Multi-mode (flashing or steady-on)
- LED light source
- Flash rate 65 fpm
- Available in gray
- Suitable for use in indoor and outdoor applications
- Option for panel or conduit mounting
- NEMA Type 4X enclosure
- Operating temperature range: -31°F to 150°F (-35°C to 66°C)



#### Ordering Information

Description	Cat. No. <sup>1</sup>	Operating Voltage <sup>2</sup>	Current	LED Colors	Projected LED Life (L70) <sup>3</sup>	Replacement Lens
Multi-mode Beacon LED AC	48XBRMA120A	120V AC	0.108 A	Amber	148,000 hours	96-LA
	48XBRMB120A	120V AC	0.108 A	Blue	148,000 hours	96-LB
	48XBRMG120A	120V AC	0.108 A	Green	148,000 hours	96-LG
	48XBRMR120A	120V AC	0.108 A	Red	148,000 hours	96-LR
	48XBRMW120A	120V AC	0.108 A	White	148,000 hours	96-LC
Multi-mode Beacon LED DC	48XBRMA24D	24V DC	0.215 A	Amber	148,000 hours	96-LA
	48XBRMB24D	24V DC	0.215 A	Blue	148,000 hours	96-LB
	48XBRMG24D	24V DC	0.215 A	Green	148,000 hours	96-LG
	48XBRMR24D	24V DC	0.215 A	Red	148,000 hours	96-LR
	48XBRMW24D	24V DC	0.215 A	White	148,000 hours	96-LC

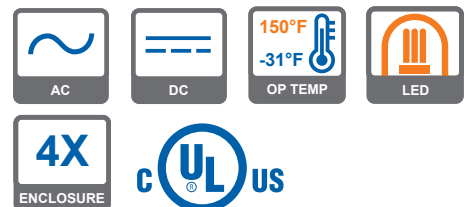
<sup>1</sup>DC models provided w/surface mount kit

<sup>2</sup>AC voltage frequency is 50/60 Hz

<sup>3</sup>LED Manufacturer's Median Projected LED Life for LUXEON Rebel LEDs (L70 at 85°C and T<sub>junction</sub> 98°C). Actual LED life will vary inversely with ambient temperature, voltage, driver current, junction temperature and duty-cycle at which the signaling device is operated. Please refer to <http://www.philipslumileds.com/pdfs/WP15.pdf>.

#### Accessories

Description	Cat. No.
Gasket Kit suitable for outdoor surface installation – AC models	GSK-KIT
Corner Mount Bracket	CBR
Wall Mount Bracket	WBR



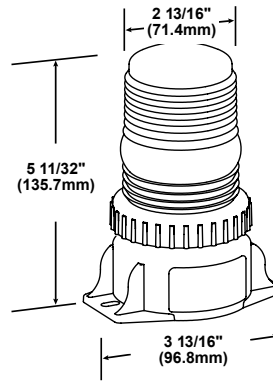
# Beacons

## Multi-Mode LED

### 117 Class

#### Features and Specifications

- Multi-mode LED (steady-on plus seven flash patterns)
- LED light source
- Suitable for use in indoor and outdoor applications
- Five lens colors
- Surface or conduit mounting, external thread surface mount or pipe mount bases
- 3/4" (19mm) NPT threaded conduit
- NEMA Type 4X and IP66 (when surface mounted with supplied gasket)



VISUAL SIGNALS

#### Ordering Information

Description	Cat. No.	Operating Voltage	Current	Lens Colors	Replacement Lens
Multi-mode LED Beacon AC Flange Base	117LEDMA120A	120V AC	0.091 A	Amber	117LA
	117LEDMB120A	120V AC	0.091 A	Blue	117LB
	117LEDMG120A	120V AC	0.091 A	Green	117LG
Multi-mode LED Beacon DC Flange Base	117LEDMR120A	120V AC	0.091 A	Red	117LR
	117LEDMW120A	120V AC	0.091 A	Clear	117LC
	117LEDMA1248D	12/48V DC	0.245 A / 0.488 A	Amber	117LA
Multi-mode LED Beacon DC Flange Base	117LEDMB1248D	12/48V DC	0.245 A / 0.488 A	Blue	117LB
	117LEDMG1248D	12/48V DC	0.245 A / 0.488 A	Green	117LG
	117LEDMR1248D	12/48V DC	0.245 A / 0.488 A	Red	117LR
Multi-mode LED Beacon AC External Thread Base	117LEDMW1248D	12/48V DC	0.245 A / 0.488 A	Clear	117LC
	117LEDMTA120A	120V AC	0.091 A	Amber	117LA
	117LEDMTB120A	120V AC	0.091 A	Blue	117LB
	117LEDMTG120A	120V AC	0.091 A	Green	117LG
	117LEDMTM120A	120V AC	0.091 A	Magenta	117LM
Multi-mode LED Beacon DC External Thread Base	117LEDMTR120A	120V AC	0.091 A	Red	117LR
	117LEDMTW120A	120V AC	0.091 A	White	117LW
	117LEDMA1248D	12/48V DC	0.245 A / 0.488 A	Amber	117LA
	117LEDMTB1248D	12/48V DC	0.245 A / 0.488 A	Blue	117LB
	117LEDMTG1248D	12/48V DC	0.245 A / 0.488 A	Green	117LG
Multi-mode LED Beacon DC External Thread Base	117LEDMTM1248D	12/48V DC	0.245 A / 0.488 A	Magenta	117LM
	117LEDMTR1248D	12/48V DC	0.245 A / 0.488 A	Red	117LR
	117LEDMTW1248D	12/48V DC	0.245 A / 0.488 A	White	117LW



# Beacons

## Multi-Mode LED

### 117 Class

Ordering Information		Continued			
Description	Cat. No.	Operating Voltage	Current	Lens Colors	Replacement Lens
Multi-mode LED Beacon AC Pipe Mount Base	117LEDMPA120A	120V AC	0.091 A	Amber	117LA
	117LEDMPB120A	120V AC	0.091 A	Blue	117LB
	117LEDMPG120A	120V AC	0.091 A	Green	117LG
	117LEDMPM120A	120V AC	0.091 A	Magenta	117LM
	117LEDMPR120A	120V AC	0.091 A	Red	117LR
	117LEDMPW120A	120V AC	0.091 A	White	117LW
	Multi-mode LED Beacon DC Pipe Mount Base	117LEDMPA1248D	12/48V DC	0.245 A / 0.488 A	Amber
117LEDMPB1248D		12/48V DC	0.245 A / 0.488 A	Blue	117LB
117LEDMPG1248D		12/48V DC	0.245 A / 0.488 A	Green	117LG
117LEDMPM1248D		12/48V DC	0.245 A / 0.488 A	Magenta	117LM
117LEDMPR1248D		12/48V DC	0.245 A / 0.488 A	Red	117LR
117LEDMPW1248D		12/48V DC	0.245 A / 0.488 A	White	117LW

# Beacons: Explosionproof Multi-Mode LED 116 Series



← 7.25" →



**NOTE: Mounting options not included (ordered separately)**

VISUAL SIGNALS

## Features and Specifications

- Multi-mode LED (steady-on plus thirteen flash patterns)
- LED light source
- Five lens colors
- Ceiling, pendant, wall or stanchion mounting options (ordered separately)
- NEMA Type 3R, 4X and Marine Rated enclosures
- Explosionproof: Class I, Div 1, Groups C and D; Class I, Div 2, Groups A, B, C and D; Class II, Div 1 and 2, Groups E, F and G; Class III, Div 1 and 2

## Ordering Information

Description	Cat. No.	Operating Voltage <sup>1</sup>	Current	LED/Lens Colors	Flash Rate
Multi-mode LED	<b>116EXMLEDA-Y6</b>	120-240V AC 125-250V DC	0.215 A 0.176 A	Amber	Adjustable See Flash Mode Selection Table for specs, in data sheet found online.
	<b>116EXMLEDB-Y6</b>	120-240V AC 125-250V DC	0.215 A 0.176 A	Blue	
	<b>116EXMLEDW-Y6</b>	120-240V AC 125-250V DC	0.215 A 0.176 A	White/Clear <sup>2</sup>	
	<b>116EXMLEDG-Y6</b>	120-240V AC 125-250V DC	0.215 A 0.176 A	Green	
	<b>116EXMLEDR-Y6</b>	120-240V AC 125-250V DC	0.215 A 0.176 A	Red	
	<b>116EXMLEDA-AQ</b>	24V AC/DC	1.18AAC 0.79A DC	Amber	Adjustable See Flash Mode Selection Table for specs, in data sheet found online.
	<b>116EXMLEDB-AQ</b>	24V AC/DC	1.18AAC 0.79A DC	Blue	
	<b>116EXMLEDG-AQ</b>	24V AC/DC	1.18AAC 0.79A DC	Green	
	<b>116EXMLEDR-AQ</b>	24V AC/DC	1.18AAC 0.79A DC	Red	
	<b>116EXMLEDW-AQ</b>	24V AC/DC	1.18AAC 0.79A DC	White/Clear <sup>2</sup>	

<sup>1</sup>AC voltage frequency is 50/60 Hz

<sup>2</sup>For most LED beacons, the LED color and lens color are the same. White LEDs are used with a clear inner lens for the White model.

## Required Mounting Options

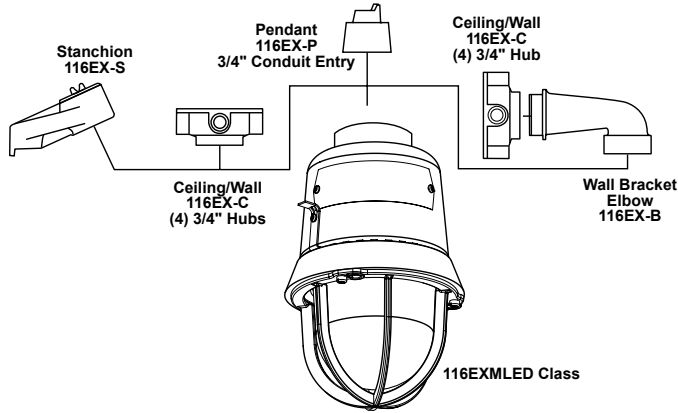
Description	Cat. No.	Conduit Size
Wall Bracket Mounting Elbow	<b>116EX-B<sup>1</sup></b>	—
Ceiling/Wall Mounting Module	<b>116EX-C</b>	3/4" NPT
Pendant Mounting Module	<b>116EX-P</b>	3/4" NPT
Stanchion Mounting Module	<b>116EX-S</b>	1 1/4" NPT

<sup>1</sup>Note: Wall mount requires both 116EX-B and 116EX-C.



# Beacons: Explosionproof Multi-Mode LED 116 Series

## Mounting Options



**NOTE:** 116EX-C must be used when application requires 116EX-B

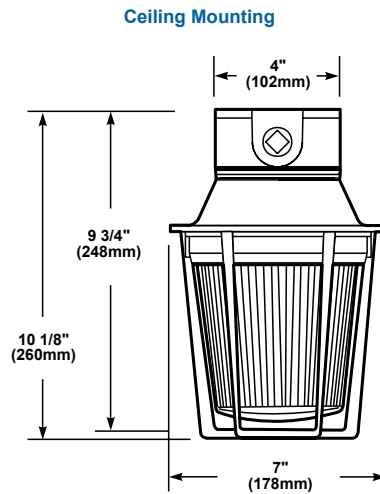
# Beacons

## Multi-Mode LED

### 107XBR Series

#### Features and Specifications

- Multi-mode (flashing or steady-on)
- LED XTRA-BRITE™ light source
- Flash rate 65 fpm
- Five lens colors
- 3/4" NPT threaded conduit
- High level of immunity to shock and vibration
- Three mounting options: pendant, bracket or ceiling
- Bracket and Ceiling Mount: Class I, Div 2, Groups A, B, C, and D; Class II, Div 2, Groups F and G, Class III
- Pendant Mount: Class I, Div 2, Groups A, B, C, and D; Class II, Div 2, Groups F and G, Class III, Class II, Div 1, Groups E, F and G
- All 107XBR units are Marine Rated (Marine rating applies to UL listing only)



#### Ordering Information

Description	Cat. No.	Operating Voltage <sup>1</sup>	Current	Lens Color	Median LED Life (L70) <sup>2</sup>	Flash Rate <sup>3</sup>	Replacement Dome
Pendant Mount AC	107XBRPMA120A	120V AC	0.115 A	Amber	148,000 hours	65 fpm	EDVPGL1HR
	107XBRPMB120A	120V AC	0.115 A	Blue	148,000 hours	65 fpm	EDVPGL1HR
	107XBRPMG120A	120V AC	0.115 A	Green	148,000 hours	65 fpm	EDVPGL1HR
	107XBRPMR120A	120V AC	0.115 A	Red	148,000 hours	65 fpm	EDVPGL1HR
	107XBRPMW120A	120V AC	0.115 A	Clear	148,000 hours	65 fpm	EDVPGL1HR
Bracket Mount AC	107XBRBMA120A	120V AC	0.115 A	Amber	148,000 hours	65 fpm	EDVPGL1HR
	107XBRBMB120A	120V AC	0.115 A	Blue	148,000 hours	65 fpm	EDVPGL1HR
	107XBRBMG120A	120V AC	0.115 A	Green	148,000 hours	65 fpm	EDVPGL1HR
	107XBRBMR120A	120V AC	0.115 A	Red	148,000 hours	65 fpm	EDVPGL1HR
	107XBRBMW120A	120V AC	0.115 A	Clear	148,000 hours	65 fpm	EDVPGL1HR
Ceiling Mount AC	107XBRCMA120A	120V AC	0.115 A	Amber	148,000 hours	65 fpm	EDVPGL1HR
	107XBRCMB120A	120V AC	0.115 A	Blue	148,000 hours	65 fpm	EDVPGL1HR
	107XBRCMG120A	120V AC	0.115 A	Green	148,000 hours	65 fpm	EDVPGL1HR
	107XBRCMR120A	120V AC	0.115 A	Red	148,000 hours	65 fpm	EDVPGL1HR
	107XBRCMW120A	120V AC	0.115 A	Clear	148,000 hours	65 fpm	EDVPGL1HR

<sup>1</sup>AC voltage frequency is 50/60 Hz

<sup>2</sup>Based on LED manufacturer's projections. Refer to <http://www.philipslumileds.com/pdfs/WP15.pdf>

<sup>3</sup>Only if activated by third yellow wire



# Beacons

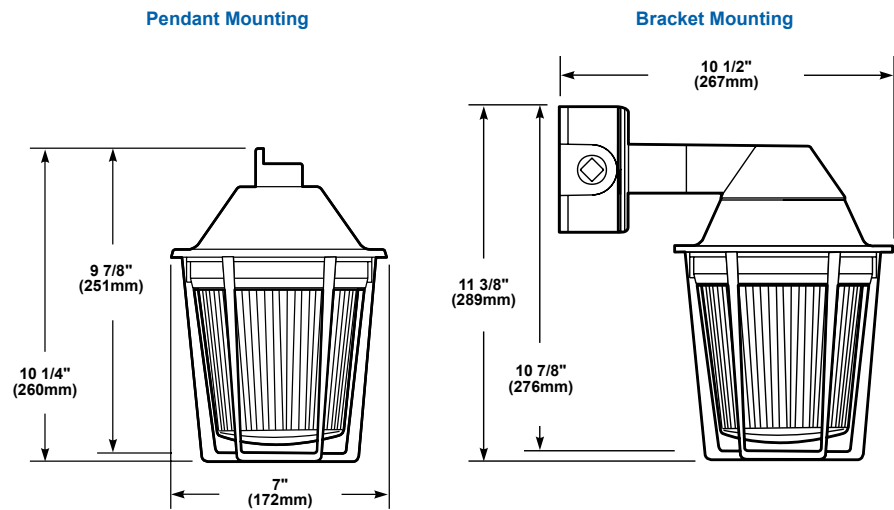
## Multi-Mode LED

### 107XBR Series

Ordering Information		Continued				
Description	Cat. No.	Operating Voltage	Current	Lens Color	Median LED Life (L70) <sup>1</sup>	Flash Rate <sup>2</sup>
Pendant Mount DC	107XBRPMA24D	24V DC	0.220 A	Amber	148,000 hours	65 fpm
	107XBRPMB24D	24V DC	0.220 A	Blue	148,000 hours	65 fpm
	107XBRPMG24D	24V DC	0.220 A	Green	148,000 hours	65 fpm
	107XBRPMR24D	24V DC	0.220 A	Red	148,000 hours	65 fpm
	107XBRPMW24D	24V DC	0.220 A	Clear	148,000 hours	65 fpm
Bracket Mount DC	107XBRBMA24D	24V DC	0.220 A	Amber	148,000 hours	65 fpm
	107XBRBMB24D	24V DC	0.220 A	Blue	148,000 hours	65 fpm
	107XBRBMG24D	24V DC	0.220 A	Green	148,000 hours	65 fpm
	107XBRBMR24D	24V DC	0.220 A	Red	148,000 hours	65 fpm
	107XBRBMW24D	24V DC	0.220 A	Clear	148,000 hours	65 fpm
Ceiling Mount DC	107XBRCMA24D	24V DC	0.220 A	Amber	148,000 hours	65 fpm
	107XBRCMB24D	24V DC	0.220 A	Blue	148,000 hours	65 fpm
	107XBRCMG24D	24V DC	0.220 A	Green	148,000 hours	65 fpm
	107XBRCMR24D	24V DC	0.220 A	Red	148,000 hours	65 fpm
	107XBRCMW24D	24V DC	0.220 A	Clear	148,000 hours	65 fpm

<sup>1</sup>Based on LED manufacturer's projections. Refer to <http://www.philipslumileds.com/pdfs/WP15.pdf>  
<sup>2</sup>Only if activated by third yellow wire

Accessories	
Description	Cat. No.
Optional Dome Guard	EDVPGU1



VISUAL SIGNALS



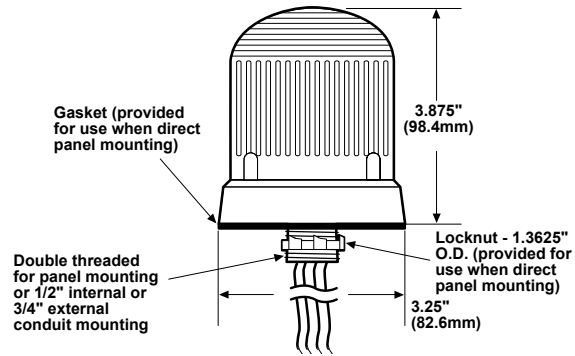
# Beacons

## Flashing LED

### 125 Class

#### Features and Specifications

- LED light source
- Flash rate 65 fpm
- Shatter-resistant polycarbonate lens
- Gray or black glass filled nylon base
- Option for panel or conduit mounting
- Suitable for indoor or outdoor applications
- For outdoor use, lens should face up
- NEMA Type 4X enclosure
- Operating temperature range: -31°F to 150°F (-35°C to 66°C)



VISUAL SIGNALS

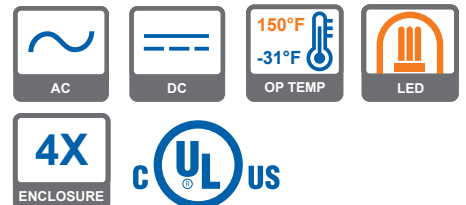
#### Ordering Information

Description	Cat. No.	Operating Voltage <sup>1</sup>	Current	LED Colors	Lamp Ratings	Replacement Lens
Flashing Beacon LED Gray Base	125LEDFA120A	120V AC	0.097 A	Amber	100,000 hours	125LA
	125LEDFB120A	120V AC	0.097 A	Blue	100,000 hours	125LB
	125LEDFG120A	120V AC	0.097 A	Green	100,000 hours	125LG
	125LEDFR120A	120V AC	0.097 A	Red	100,000 hours	125LR
	125LEDFA24D	24V DC	0.060 A	Amber	100,000 hours	125LA
	125LEDFB24D	24V DC	0.060 A	Blue	100,000 hours	125LB
	125LEDFG24D	24V DC	0.060 A	Green	100,000 hours	125LG
	125LEDFR24D	24V DC	0.060 A	Red	100,000 hours	125LR
Flashing Beacon LED Black Base	125LEDFA120AB	120V AC	0.097 A	Amber	100,000 hours	125LA
	125LEDFB120AB	120V AC	0.097 A	Blue	100,000 hours	125LB
	125LEDFG120AB	120V AC	0.097 A	Green	100,000 hours	125LG
	125LEDFR120AB	120V AC	0.097 A	Red	100,000 hours	125LR
	125LEDFA24DB	24V DC	0.060 A	Amber	100,000 hours	125LA
	125LEDFB24DB	24V DC	0.060 A	Blue	100,000 hours	125LB
	125LEDFG24DB	24V DC	0.060 A	Green	100,000 hours	125LG
	125LEDFR24DB	24V DC	0.060 A	Red	100,000 hours	125LR

<sup>1</sup>AC voltage frequency is 50/60 Hz

#### Accessories

Description	Cat. No.
Protective Wire Guard	125GRD
Corner Mount Bracket	CBR
Wall Mount Bracket	WBR



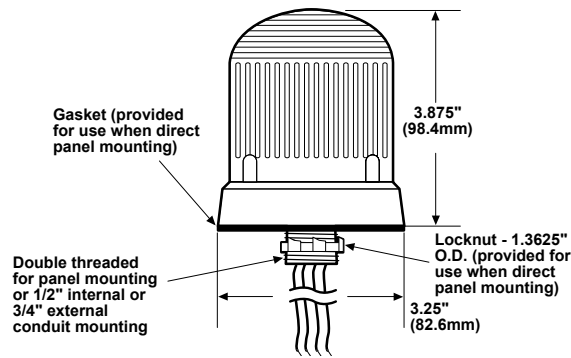
# Beacons

## Flashing Halogen

### 125 Class

#### Features and Specifications

- Halogen light source
- Flash rate 65 fpm
- Shatter-resistant polycarbonate lens
- Gray or black glass filled nylon base
- Suitable for indoor or outdoor applications
- For outdoor use, lens should face up
- Option for panel or conduit mounting
- NEMA Type 4X enclosure
- Operating temperature range: -31°F to 150°F (-35°C to 66°C)



#### Ordering Information

Description	Cat. No.	Operating Voltage <sup>1</sup>	Current	Lens Colors	Replacement	
					Lens	Lamp
Flashing Beacon Halogen Gray Base	125HALFA24A	24V AC	0.770 A	Amber	125LA	50LMP-9WH-D
	125HALFB24A	24V AC	0.770 A	Blue	125LB	or Ind. Trade
	125HALFC24A	24V AC	0.770 A	Clear	125LC	No. 1692 <sup>3</sup>
	125HALFG24A	24V AC	0.770 A	Green	125LG	9 watts
	125HALFR24A	24V AC	0.770 A	Red	125LR	15,000 hrs <sup>2</sup>
	125HALFA120A	120V AC	0.200 A	Amber	125LA	50LMP-12WH-D
	125HALFB120A	120V AC	0.200 A	Blue	125LB	or Ind. Trade
	125HALFC120A	120V AC	0.200 A	Clear	125LC	No. 15T7DC <sup>3</sup>
	125HALFG120A	120V AC	0.200 A	Green	125LG	12 watts
	125HALFR120A	120V AC	0.200 A	Red	125LR	25,000 hrs <sup>2</sup>
	125HALFA24D	24V DC	0.770 A	Amber	125LA	50LMP-9WH-D
	125HALFB24D	24V DC	0.770 A	Blue	125LB	or Ind. Trade
	125HALFC24D	24V DC	0.770 A	Clear	125LC	No. 1692 <sup>3</sup>
	125HALFG24D	24V DC	0.770 A	Green	125LG	9 watts
	125HALFR24D	24V DC	0.770 A	Red	125LR	15,000 hrs <sup>2</sup>
Flashing Beacon Halogen Black Base	125HALFA24AB	24V AC	0.770 A	Amber	125LA	50LMP-9WH-D
	125HALFB24AB	24V AC	0.770 A	Blue	125LB	or Ind. Trade
	125HALFC24AB	24V AC	0.770 A	Clear	125LC	No. 1692 <sup>3</sup>
	125HALFG24AB	24V AC	0.770 A	Green	125LG	9 watts
	125HALFR24AB	24V AC	0.770 A	Red	125LR	15,000 hrs <sup>2</sup>
	125HALFA120AB	120V AC	0.200 A	Amber	125LA	50LMP-12WH-D
	125HALFB120AB	120V AC	0.200 A	Blue	125LB	or Ind. Trade
	125HALFC120AB	120V AC	0.200 A	Clear	125LC	No. 15T7DC <sup>3</sup>
	125HALFG120AB	120V AC	0.200 A	Green	125LG	12 watts
	125HALFR120AB	120V AC	0.200 A	Red	125LR	25,000 hrs <sup>2</sup>
	125HALFA24DB	24V DC	0.770 A	Amber	125LA	50LMP-9WH-D
	125HALFB24DB	24V DC	0.770 A	Blue	125LB	or Ind. Trade
	125HALFC24DB	24V DC	0.770 A	Clear	125LC	No. 1692 <sup>3</sup>
	125HALFG24DB	24V DC	0.770 A	Green	125LG	9 watts
	125HALFR24DB	24V DC	0.770 A	Red	125LR	15,000 hrs <sup>2</sup>

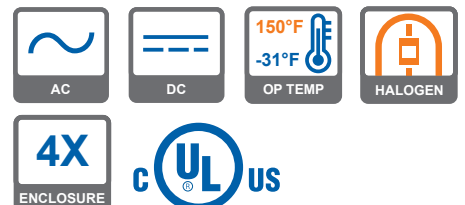
<sup>1</sup>AC voltage frequency is 50/60 Hz

<sup>2</sup>Projected lamp life based on manufacturers calculated lamp life at 65 fpm and 50% duty cycle

<sup>3</sup>Incandescent lamps, user supplied

#### Accessories

Description	Cat. No.
Protective Wire Guard	125GRD
Corner Mount Bracket	CBR
Wall Mount Bracket	WBR



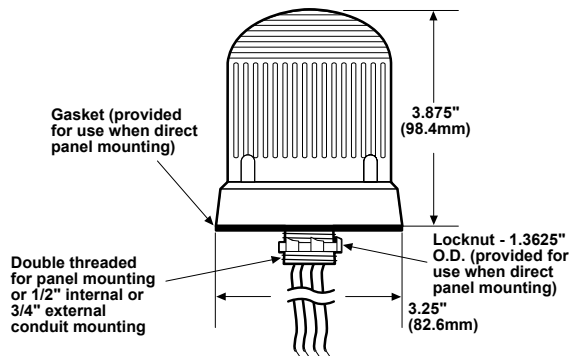
# Beacons

## Flashing Incandescent

### 125 Class

#### Features and Specifications

- Incandescent light source
- Flash rate 65 fpm
- Shatter-resistant polycarbonate lens
- Gray or black glass filled nylon base
- Suitable for indoor or outdoor applications
- For outdoor use, lens should face up
- Option for panel or conduit mounting
- NEMA Type 4X enclosure
- Operating temperature range: -31°F to 150°F (-35°C to 66°C)



VISUAL SIGNALS

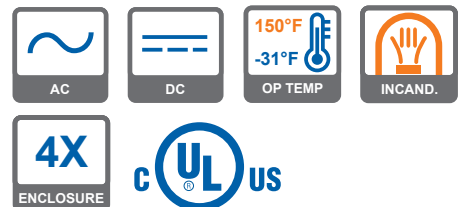
#### Ordering Information

Description	Cat. No.	Operating Voltage <sup>1</sup>	Current	Lens Colors	Replacement	
					Lens	Lamp
Flashing Beacon Incandescent Gray Base	125INCFA120A	120V AC	0.150 A	Amber	125LA	Industry Trade 15T7DC <sup>2</sup>
	125INCFB120A	120V AC	0.150 A	Blue	125LB	
	125INCFC120A	120V AC	0.150 A	Clear	125LC	
	125INCFG120A	120V AC	0.150 A	Green	125LG	
	125INCFR120A	120V AC	0.150 A	Red	125LR	
	125INCFA24D	24V DC	0.610 A	Amber	125LA	Industry Trade 1692 <sup>2</sup>
	125INCFB24D	24V DC	0.610 A	Blue	125LB	
	125INCFC24D	24V DC	0.610 A	Clear	125LC	
	125INCFG24D	24V DC	0.610 A	Green	125LG	
	125INCFR24D	24V DC	0.610 A	Red	125LR	
Flashing Beacon Incandescent Black Base	125INCFA120AB	120V AC	0.150 A	Amber	125LA	Industry Trade 15T7DC <sup>2</sup>
	125INCFB120AB	120V AC	0.150 A	Blue	125LB	
	125INCFC120AB	120V AC	0.150 A	Clear	125LC	
	125INCFG120AB	120V AC	0.150 A	Green	125LG	
	125INCFR120AB	120V AC	0.150 A	Red	125LR	
	125INCFA24DB	24V DC	0.610 A	Amber	125LA	Industry Trade 1692 <sup>2</sup>
	125INCFB24DB	24V DC	0.610 A	Blue	125LB	
	125INCFC24DB	24V DC	0.610 A	Clear	125LC	
	125INCFG24DB	24V DC	0.610 A	Green	125LG	
	125INCFR24DB	24V DC	0.610 A	Red	125LR	

<sup>1</sup>AC voltage frequency is 50/60 Hz  
<sup>2</sup>User supplied

#### Accessories

Description	Cat. No.
Protective Wire Guard	125GRD
Corner Mount Bracket	CBR
Wall Mount Bracket	WBR



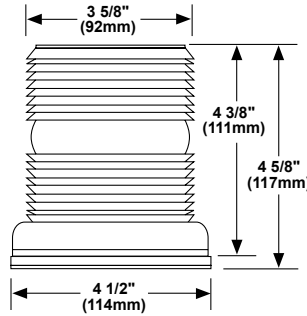
# Beacons

## Flashing Halogen

### 105 Series

#### Features and Specifications

- Halogen light source
- Flash rate 65 fpm
- Shatter-resistant double fresnel polycarbonate lens
- Gray Rynite® (PET) base with brass hardware
- Suitable for indoor, outdoor and marine applications
- For outdoor use, lens should face up
- NEMA Type 4X enclosure
- Class I, Div 2, Groups A, B, C and D; Class II, Div 2, Groups F and G; Class III
- Option for panel or conduit mounting



VISUAL SIGNALS

#### Ordering Information

Description	Cat. No.	Operating Voltage	Current	Lens Color	Peak Candela	Lamp Ratings	Replacement	
							Lens	Lamp
Flashing Beacon Halogen AC	105FINHA-G5	24V AC	0.8 A	Amber	2839	20W, 20,000 hours <sup>1,2</sup>	105-LA	50LMP-20WH or Ind. Trade No. 1692 <sup>3</sup>
	105FINHB-G5	24V AC	0.8 A	Blue			105-LB	
	105FINHC-G5	24V AC	0.8 A	Clear			105-LC	
	105FINHG-G5	24V AC	0.8 A	Green			105-LG	
	105FINHM-G5	24V AC	0.8 A	Magenta			105-LM	
	105FINHR-G5	24V AC	0.8 A	Red			105-LR	
	105FINHA-N5	120V AC	0.2 A	Amber			105-LA	
	105FINHB-N5	120V AC	0.2 A	Blue			105-LB	
	105FINHC-N5	120V AC	0.2 A	Clear			105-LC	
	105FINHG-N5	120V AC	0.2 A	Green			105-LG	
Flashing Beacon Halogen DC	105FINHM-N5	120V AC	0.2 A	Magenta	2198	25W, 20,000 hours <sup>1,2</sup>	105-LM	50LMP-25WH or Ind. Trade No. 25T8DC <sup>3</sup>
	105FINHR-N5	120V AC	0.2 A	Red			105-LR	
	105FINHA-G1	24V DC	0.8 A	Amber			105-LA	
	105FINHB-G1	24V DC	0.8 A	Blue			105-LB	
	105FINHC-G1	24V DC	0.8 A	Clear			105-LC	
	105FINHG-G1	24V DC	0.8 A	Green			105-LG	
	105FINHM-G1	24V DC	0.8 A	Magenta			105-LM	
	105FINHR-G1	24V DC	0.8 A	Red			105-LR	

<sup>1</sup>At nominal operating voltage.

<sup>2</sup>Projected lamp life based on manufacturer's calculated lamp life at 65 fpm and 50% duty cycle.

<sup>3</sup>Incandescent lamp, user supplied

#### Required Mounting Options

Description	Cat. No.
Wall Mount Bracket	105BM <sup>4</sup>
Outlet Box Attachment	105BX
Pipe Mount Attachment	105PM

<sup>4</sup>Must be used with the 105BX.



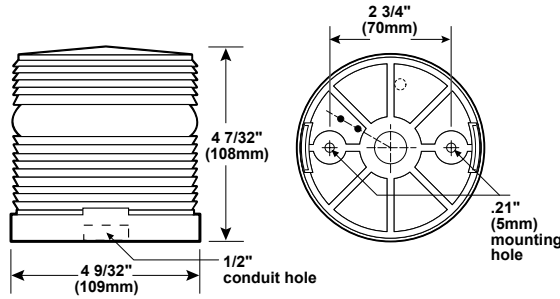
# Beacons

## Flashing Halogen or Incandescent

### 48 Series

#### Features and Specifications

- Halogen or Incandescent light source
- Flash rate 65 fpm
- Quick snap-on, high-impact polycarbonate lens
- Gray ABS base
- Suitable for use in indoor and outdoor applications
- For outdoor use, lens should face up
- Option for panel or conduit mounting
- NEMA Type 4X enclosure
- Operating temperature range: -31°F to 150°F (-35°C to 66°C)



Use Cat. No. GSK-KIT gasket kit suitable for outdoor surface mount installation on AC units

VISUAL SIGNALS

#### Ordering Information

Description	Cat. No.	Operating Voltage	Operating Current	Lens Colors	Lamp Ratings <sup>1</sup>	Replacement		
						Lens	Flasher	Lamp
Flashing Beacon Halogen	48FINR-G5-20WH	24V AC	0.80 A	Red	25,000 hr.	96-LR	P-041917-0029	50LMP-20WH or Ind. Trade No. 1692 <sup>2,3</sup>
	48FING-G5-20WH	24V AC	0.80 A	Green	25,000 hr.	96-LG		
	48FINA-G5-20WH	24V AC	0.80 A	Amber	25,000 hr.	96-LA		
	48FINB-G5-20WH	24V AC	0.80 A	Blue	25,000 hr.	96-LB		
	48FINC-G5-20WH	24V AC	0.80 A	Clear	25,000 hr.	96-LC		
	48FINM-G5-20WH	24V AC	0.80 A	Magenta	25,000 hr.	96-LM	P-041917-0026	50LMP-25WH or Ind. Trade No. 25T8DC <sup>2,3</sup>
	48FINR-N5-25WH	120V AC	0.20 A	Red	25,000 hr.	96-LR		
	48FING-N5-25WH	120V AC	0.20 A	Green	25,000 hr.	96-LG		
	48FINA-N5-25WH	120V AC	0.20 A	Amber	25,000 hr.	96-LA		
	48FINB-N5-25WH	120V AC	0.20 A	Blue	25,000 hr.	96-LB		
	48FINC-N5-25WH	120V AC	0.20 A	Clear	25,000 hr.	96-LC	P-041917-0029	50LMP-20WH
	48FINM-N5-25WH	120V AC	0.20 A	Magenta	25,000 hr.	96-LM		
	48FINR-G1-20WH	24V DC	0.80 A	Red	25,000 hr.	96-LR		
	48FING-G1-20WH	24V DC	0.80 A	Green	25,000 hr.	96-LG		
	48FINA-G1-20WH	24V DC	0.80 A	Amber	25,000 hr.	96-LA		
48FINB-G1-20WH	24V DC	0.80 A	Blue	25,000 hr.	96-LB	P-041917-0028	Industry Trade No. 94 <sup>3</sup>	
48FINC-G1-20WH	24V DC	0.80 A	Clear	25,000 hr.	96-LC			
48FINM-G1-20WH	24V DC	0.80 A	Magenta	25,000 hr.	96-LM			
48FINR-E1	12V DC	1.0 A	Red	1,520 hr.	96-LR			
48FING-E1	12V DC	1.0 A	Green	1,520 hr.	96-LG			
48FINA-E1	12V DC	1.0 A	Amber	1,520 hr.	96-LA	P-041917-0028	Industry Trade No. 94 <sup>3</sup>	
48FINB-E1	12V DC	1.0 A	Blue	1,520 hr.	96-LB			
48FINC-E1	12V DC	1.0 A	Clear	1,520 hr.	96-LC			
48FINM-E1	12V DC	1.0 A	Magenta	1,520 hr.	96-LM			

<sup>1</sup>Projected lamp life based on manufacturer's calculated lamp life at 65 fpm and 50% duty cycle.

<sup>2</sup>Incandescent lamps

<sup>3</sup>User supplied

#### Accessories

Description	Cat. No.
Gasket Kit suitable for outdoor surface installation – AC models	GSK-KIT
Corner Mount Bracket	CBR
Wall Mount Bracket	WBR



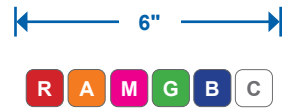
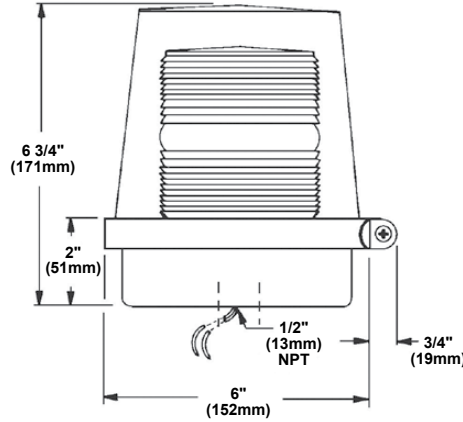
# Beacons

## Flashing Halogen

### 49 Series

#### Features and Specifications

- Halogen light source
- Flash rate 65 fpm
- Shatter-resistant double fresnel polycarbonate lens
- Protective polycarbonate dome
- Cast metal base
- Suitable for use in indoor and outdoor applications
- For outdoor use, lens should face up
- 1/2" NPT conduit or surface mounting
- Designed for 4" octagonal box mounting
- Option for panel, conduit or wall mounting
- Operating temperature range: -31°F to 150°F (-35°C to 66°C)



VISUAL SIGNALS

#### Ordering Information

Description	Cat. No.	Operating Voltage <sup>1</sup>	Current	Lens Colors	Lamp Ratings	Replacement			
						Dome	Lens	Flasher	Lamp
Flashing Beacon Halogen	49R-N5-40WH	120V AC	0.30 A	Red	265 lumens <sup>2</sup> 3328 candela	52-LC	92-LR	P-041917-0026	50LMP-40WH
	49A-N5-40WH	120V AC	0.30 A	Amber		52-LC	92-LA		
	49B-N5-40WH	120V AC	0.30 A	Blue		52-LC	92-LB		
	49G-N5-40WH	120V AC	0.30 A	Green		52-LC	92-LG		
	49M-N5-40WH	120V AC	0.30 A	Magenta		52-LC	92-LM		
	49C-N5-40WH	120V AC	0.30 A	Clear		52-LC	92-LC		
	49R-R5	240V AC	0.10 A	Red	25 watts 232 lumens <sup>2</sup> 2914 candela	52-LC	92-LR	P-041917-0038	P-041917-0039 or Industry Trade No. 25T8/240V/DC/CL <sup>4</sup>
	49A-R5	240V AC	0.10 A	Amber		52-LC	92-LA		
	49B-R5	240V AC	0.10 A	Blue		52-LC	92-LB		
	49G-R5	240V AC	0.10 A	Green		52-LC	92-LG		
	49M-R5	240V AC	0.10 A	Magenta		52-LC	92-LM		
	49C-R5	240V AC	0.10 A	Clear		52-LC	92-LC		

<sup>1</sup>AC voltage frequency is 50/60 Hz

<sup>2</sup>Bulb manufacturer's lumen rating

<sup>3</sup>Projected lamp life based on manufacturer's calculated lamp life at 65 fpm and 50% duty cycle.

<sup>4</sup>User supplied

#### Accessories

Description	Cat. No.
Corner Mount Bracket	CBR
Wall Mount Bracket	WBR



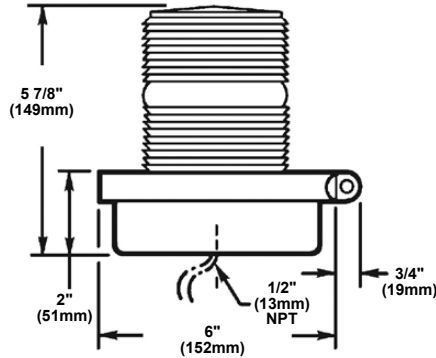
# Beacons

## Flashing Halogen

### 50 Series

#### Features and Specifications

- Halogen light source
- Flash rate 65 fpm
- Shatter-resistant double fresnel polycarbonate lens
- Cast metal base
- Suitable for use in indoor and outdoor applications
- For outdoor use, lens should face up
- 1/2" NPT conduit or surface mounting
- Designed for 4" octagonal box mounting
- Option for panel, conduit or wall mounting
- Operating temperature range: -31°F to 150°F (-35°C to 66°C)



VISUAL SIGNALS

#### Ordering Information

Description	Cat. No.	Operating Voltage <sup>1</sup>	Current	Lens Colors	Lamp Ratings	Replacement				
						Lens	Flasher	Lamp		
Flashing Beacon Halogen	50A-G5-20WH	24V AC	0.80 A	Amber	20 watts	92-LA	P-041917-0029	50LMP-20WH or Industry Trade No. 1692 <sup>4,5</sup>		
	50B-G5-20WH	24V AC	0.80 A	Blue		92-LB				
	50C-G5-20WH	24V AC	0.80 A	Clear	92-LC					
	50G-G5-20WH	24V AC	0.80 A	Green	92-LG					
	50M-G5-20WH	24V AC	0.80 A	Magenta	92-LM					
	50R-G5-20WH	24V AC	0.80 A	Red	92-LR					
	50A-N5-40WH	120V AC	0.30 A	Amber	40 watts	92-LA			P-041917-0026	50LMP-40WH
	50B-N5-40WH	120V AC	0.30 A	Blue	265 lumens <sup>2</sup>	92-LB				
	50C-N5-40WH	120V AC	0.30 A	Clear	3328	92-LC				
	50G-N5-40WH	120V AC	0.30 A	Green	3328	92-LG				
	50M-N5-40WH	120V AC	0.30 A	Magenta	25,000 hours <sup>3</sup>	92-LM				
	50R-N5-40WH	120V AC	0.30 A	Red	25,000 hours <sup>3</sup>	92-LR				
	50A-R5	240V AC	0.10 A	Amber	25 watts	92-LA	P-041917-0038	P-041917-0039 or Industry Trade No. 25T8/240V/DC/CL <sup>5</sup>		
	50B-R5	240V AC	0.10 A	Blue	232 lumens <sup>2</sup>	92-LB				
	50C-R5	240V AC	0.10 A	Clear	2914	92-LC				
	50G-R5	240V AC	0.10 A	Green	2914	92-LG				
	50M-R5	240V AC	0.10 A	Magenta	120 hours <sup>3</sup>	92-LM				
	50R-R5	240V AC	0.10 A	Red	120 hours <sup>3</sup>	92-LR				

<sup>1</sup>AC voltage frequency is 50/60 Hz

<sup>2</sup>Bulb manufacturer's lumen rating

<sup>3</sup>Projected lamp life based on manufacturer's calculated lamp life at 65 fpm and 50% duty cycle.

<sup>4</sup>Incandescent lamps

<sup>5</sup>User supplied

#### Accessories

Description	Cat. No.
Corner Mount Bracket	CBR
Wall Mount Bracket	WBR
Lens Guard	92-GRD



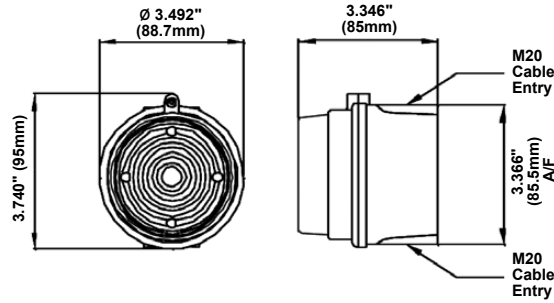
# Beacons

## Flashing LED

### Klaxon Syrex Series

#### Features and Specifications

- LED light source
- Rated for Category 1
- ATEX approved
- II 1G EEx ia IIC T4
- ABS flame retardant UL94V0 and 5VA housing
- IP65 rated
- Flash rate 2 Hz or 1 Hz (double flash)
- Operating temperature range: -40°F to 140°F (-40°C to 60°C)



#### Ordering Information

Description	New Cat. No. (Use For Ordering)	Old Cat. No.	Operating Voltage	Current	Lens Color
IS-XN Beacon	TCA-0026	17-970329	6-28V DC	0.025 A	Red
	TCA-0033	17-970337	6-28V DC	0.025 A	Amber
	TCA-0034	17-970338	6-28V DC	0.025 A	Blue
	TCA-0067	17-970339	6-28V DC	0.025 A	Green

#### Accessories

Description	New Cat. No. (Use For Ordering)	Old Cat. No.
Single Channel Galvanic Isolator	TCA-0042	17-970362
Dual Channel Galvanic Isolator	TCA-0066	17-970395
IS DIN Rail Enclosure (will accept 2X isolators)	TCA-0065	17-970392

VISUAL SIGNALS





# Beacons

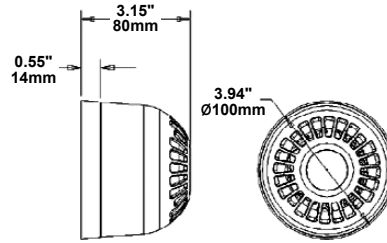
## Flashing LED

### Klaxon Sonos Series

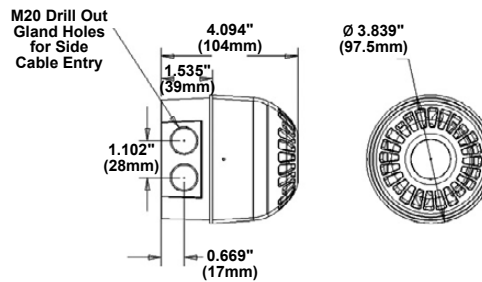
#### Features and Specifications

- LED light source
- High efficiency LED beacon consumes less than 5mA
- IP65 rated (deep base); IP21 rated (shallow base)
- Flame resistant polycarbonate construction
- Operating temperature range: -13°F to 158°F (-25°C to 70°C)

Shallow Base



Deep Base



Ordering Information						
Description	New Cat. No. (Use For Ordering)	Old Cat. No.	Operating Voltage	Current	Base	Lens Color
Flashing LED	PSB-0009	18-980507	17-60V DC	0.005 A	Red; shallow	Red
	PSB-0026	18-980510	17-60V DC	0.005 A	Red; shallow	Amber
	PSB-0017	18-980508	17-60V DC	0.005 A	Red; deep	Red
	PSB-0031	18-980511	17-60V DC	0.005 A	Red; deep	Amber



Shallow Base

Deep Base

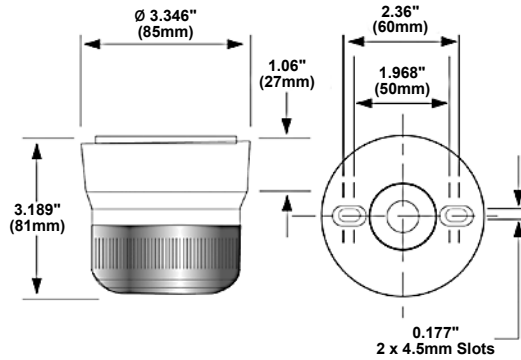
# Beacons

## Flashing LED

### Klaxon Series

#### Features and Specifications

- LED light source
- Compact, ultra modern sleek appearance
- IP65 rated
- White, high quality polycarbonate housing
- Suitable for use in indoor and outdoor applications
- Vandal-resistant safety locking mechanism
- Operating temperature range: -4°F to 158°F (-20°C to +70°C)



3.346"



#### Ordering Information

Description	New Cat. No. (Use For Ordering)	Old Cat. No.	Operating Voltage	Current	Lens Colors	Flash Rate
LED Beacon Flashing	QBS-0012	45-711811	110V AC	0.032 A	Red	60 fpm
	QBS-0013	45-711821	110V AC	0.032 A	Amber	60 fpm
	QBS-0014	45-711831	110V AC	0.032 A	Clear	60 fpm
	QBS-0015	45-711841	110V AC	0.032 A	Blue	60 fpm
	QBS-0016	45-711851	110V AC	0.032 A	Green	60 fpm
	QBS-0027	45-712811	230V AC	0.032 A	Red	60 fpm
	QBS-0028	45-712821	230V AC	0.032 A	Amber	60 fpm
	QBS-0029	45-712831	230V AC	0.032 A	Clear	60 fpm
	QBS-0030	45-712841	230V AC	0.032 A	Blue	60 fpm
	QBS-0031	45-712851	230V AC	0.032 A	Green	60 fpm

VISUAL SIGNALS



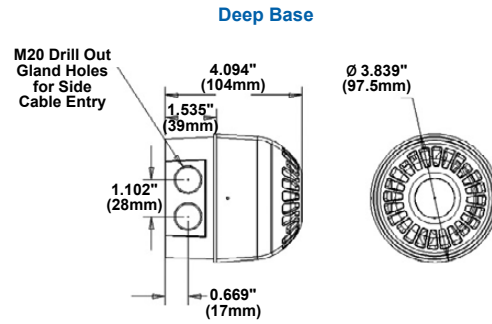
# Beacons

## Flashing Xenon

### Klaxon Sonos Series

#### Features and Specifications

- Xenon strobe light source
- Flame retardant polycarbonate construction
- Red base
- IP65 rated
- Single/double flash (DC version)
- Operating temperature range: -13°F to 131°F (-25°C to 55°C)

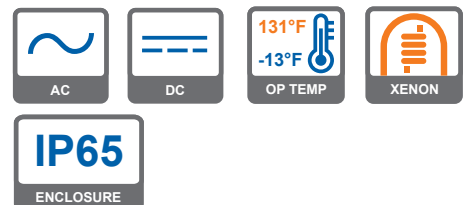


3.84"



#### Ordering Information

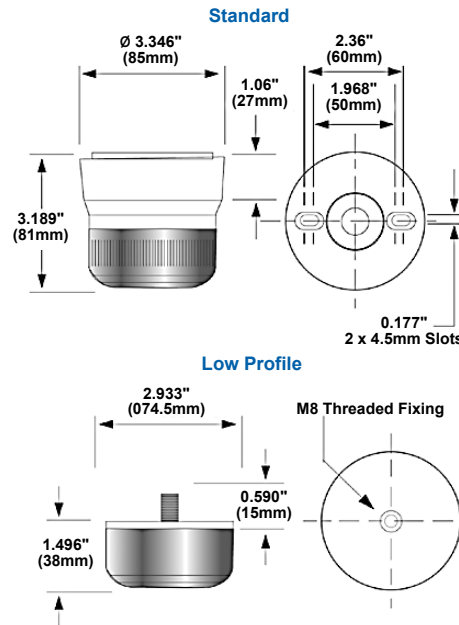
Description	New Cat. No. (Use For Ordering)	Old Cat. No.	Operating Voltage	Current	Lens Color
Flashing Xenon AC	PSB-0002	18-980482	110 - 230V AC	0.070 A	Red
	PSB-0004	18-980483	110 - 230V AC	0.070 A	Amber
	PSB-0038	18-980583	110 - 230V AC	0.070 A	Clear
Flashing Xenon DC	PSB-0039	18-980584	10 - 60V DC	0.330 A/24V DC	Red
	PSB-0040	18-980585	10 - 60V DC	0.330 A/24V DC	Amber
	PSB-0041	18-980586	10 - 60V DC	0.330 A/24V DC	Clear



# Beacons Flashing Xenon Klaxon Series

## Features and Specifications

- Xenon light source
- Flash rate 60 fpm
- Compact, ultra modern sleek appearance
- White, high quality polycarbonate housing
- Suitable for use in indoor and outdoor applications
- 12V and 24V DC options in one user-selectable unit
- Vandal-resistant safety locking mechanism
- IP65 (Standard)
- Operating temperature range: -4°F to 104°F (-20°C to 40°C)



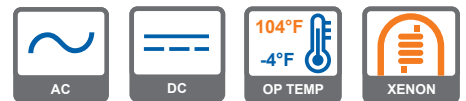
3.346"

R A G B C

## Ordering Information

Description	New Cat. No. (Use For Ordering)	Old Cat. No.	Operating Voltage <sup>1</sup>	Current	Lens Color	Watts
Standard Xenon	QBS-0002	45-711311	110V AC	0.024 A	Red	3
	QBS-0003	45-711321	110V AC	0.024 A	Amber	3
	QBS-0004	45-711331	110V AC	0.024 A	Clear	3
	QBS-0005	45-711341	110V AC	0.024 A	Blue	3
	QBS-0006	45-711351	110V AC	0.024 A	Green	3
	QBS-0017	45-712311	230V AC	0.015 A	Red	3
	QBS-0018	45-712321	230V AC	0.015 A	Amber	3
	QBS-0019	45-712331	230V AC	0.015 A	Clear	3
	QBS-0020	45-712341	230V AC	0.015 A	Blue	3
	QBS-0021	45-712351	230V AC	0.015 A	Green	3
	QBS-0032	45-713111	12/24V DC	0.060 A/0.045 A	Red	1
	QBS-0034	45-713121	12/24V DC	0.060 A/0.045 A	Amber	1
	QBS-0035	45-713131	12/24V DC	0.060 A/0.045 A	Clear	1
	QBS-0036	45-713141	12/24V DC	0.060 A/0.045 A	Blue	1
	QBS-0037	45-713151	12/24V DC	0.060 A/0.045 A	Green	1
	QBS-0038	45-713211	12/24V DC	0.115 A/0.070 A	Red	2
	QBS-0042	45-713221	12/24V DC	0.115 A/0.070 A	Amber	2
	TKA-0126	45-713231	12/24V DC	0.115 A/0.070 A	Clear	2
	QBS-0047	45-713241	12/24V DC	0.115 A/0.070 A	Blue	2
	QBS-0050	45-713251	12/24V DC	0.115 A/0.070 A	Green	2
	QBS-0052	45-713311	12/24V DC	0.14 A/0.085 A	Red	3
	QBS-0054	45-713321	12/24V DC	0.14 A/0.085 A	Amber	3
	QBS-0055	45-713331	12/24V DC	0.14 A/0.085 A	Clear	3
	QBS-0056	45-713341	12/24V DC	0.14 A/0.085 A	Blue	3
	QBS-0058	45-713351	12/24V DC	0.14 A/0.085 A	Green	3
	QBS-0060	45-716411	11-35V DC	—	Red	—
	QBS-0063	45-716421	11-35V DC	—	Amber	—
	QBS-0065	45-716431	11-35V DC	—	Clear	—
	QBS-0067	45-716441	11-35V DC	—	Blue	—
	QBS-0069	45-716451	11-35V DC	—	Green	—

<sup>1</sup>12/24V DC units are user-configurable.



Standard

# Beacons

## Flashing Xenon

### Klaxon Series

Ordering Information		Continued				
Description	New Cat. No. (Use For Ordering)	Old Cat. No.	Operating Voltage <sup>1</sup>	Current	Lens Color	Watts
Low Profile Xenon	QBS-0040	45-713213	12/24V DC	0.115 A/0.070 A	Red	2
	QBS-0044	45-713223	12/24V DC	0.115 A/0.070 A	Amber	2
	QBS-0046	45-713233	12/24V DC	0.115 A/0.070 A	Clear	2
	QBS-0049	45-713243	12/24V DC	0.115 A/0.070 A	Blue	2
	QBS-0051	45-713253	12/24V DC	0.115 A/0.070 A	Green	2
	QBS-0062	45-716413	11-35V DC	—	Red	—
	QBS-0064	45-716423	11-35V DC	—	Amber	—
	QBS-0066	45-716433	11-35V DC	—	Clear	—
	QBS-0068	45-716443	11-35V DC	—	Blue	—
	QBS-0070	45-716453	11-35V DC	—	Green	—

<sup>1</sup>12/24V DC units are user-configurable.

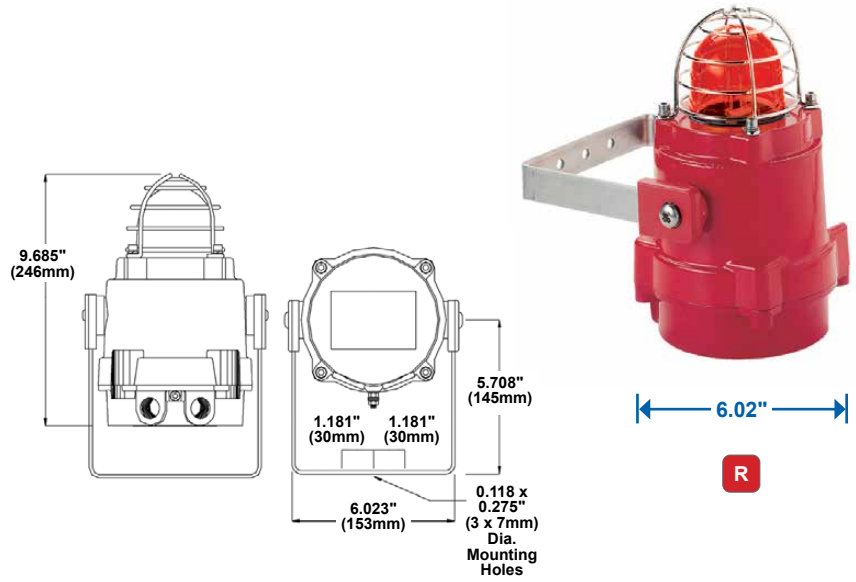
# Beacons

## Flashing Xenon

### Klaxon Syrex Series

#### Features and Specifications

- Xenon light source
- Marine Grade LM6 aluminum construction
- Lens guard included with beacon
- IP67 rated
- Rated for Category 2 use (formerly Zone 1 & 2)
- ATEX / IECEx Approved
- II 2G Exd IIC T6
- Operating temperature range: -58°F to 104°F (-50°C to 40°C)

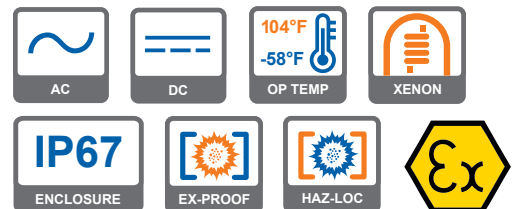


#### Ordering Information

Description	New Cat. No. (Use For Ordering)	Old Cat. No.	Operating Voltage	Current	Lens Colors	Light Output
Exd Beacon Xenon Strobe	TCA-0068	17-970273	110V AC @ 50 Hz <sup>1</sup>	0.140 A	Red	5J
	TCA-0014	17-970272	230V AC @ 50 Hz <sup>1</sup>	0.055 A	Red	5J
	TCA-0015	17-970274	24V DC	0.300 A	Red	5J

<sup>1</sup>AC voltage frequency is 50 Hz only.  
NOTE: AC models not for U.S. use.

VISUAL SIGNALS



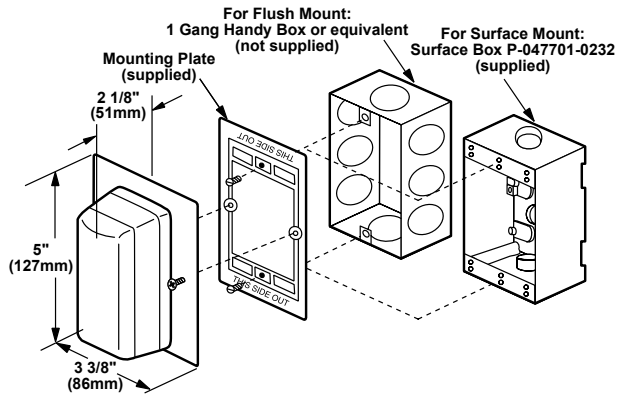
# Beacons

## Flashing Xenon

### 89 Series

#### Features and Specifications

- Xenon strobe light source
- Flash rate 60 fpm
- Low current draw
- Screw terminals for easy wiring
- Suitable for indoor applications only
- 85% relative humidity at 86°F (30°C)
- Operating temperature range: 32°F to 120°F (0°C to 49°C)



3 3/8"



VISUAL SIGNALS

#### Ordering Information

Description	Cat. No.	Operating Voltage <sup>1</sup>	Current	Lens Color	Mounting	Effective Light Output UL 1638
Xenon Strobe AC/DC	89STRA-AQ	24V AC/DC	0.390 A	Amber	Flush	90 cd
	89STRB-AQ	24V AC/DC	0.390 A	Blue	Flush	20 cd
	89STRC-AQ	24V AC/DC	0.390 A	Clear	Flush	150 cd
	89STRG-AQ	24V AC/DC	0.390 A	Green	Flush	70 cd
	89STRR-AQ	24V AC/DC	0.390 A	Red	Flush	21 cd
	89SMSTRA-AQ	24V AC/DC	0.390 A	Amber	Surface	90 cd
	89SMSTRB-AQ	24V AC/DC	0.390 A	Blue	Surface	20 cd
	89SMSTRC-AQ	24V AC/DC	0.390 A	Clear	Surface	150 cd
	89SMSTRG-AQ	24V AC/DC	0.390 A	Green	Surface	70 cd
	89SMSTRR-AQ	24V AC/DC	0.390 A	Red	Surface	21 cd
Xenon Strobe AC	89STRA-N5	120V AC	0.115 A	Amber	Flush	90 cd
	89STRB-N5	120V AC	0.115 A	Blue	Flush	20 cd
	89STRC-N5	120V AC	0.115 A	Clear	Flush	150 cd
	89STRG-N5	120V AC	0.115 A	Green	Flush	70 cd
	89STRR-N5	120V AC	0.115 A	Red	Flush	21 cd
	89SMSTRA-N5	120V AC	0.115 A	Amber	Surface	90 cd
	89SMSTRB-N5	120V AC	0.115 A	Blue	Surface	20 cd
	89SMSTRC-N5	120V AC	0.115 A	Clear	Surface	150 cd
	89SMSTRG-N5	120V AC	0.115 A	Green	Surface	70 cd
	89SMSTRR-N5	120V AC	0.115 A	Red	Surface	21 cd

<sup>1</sup>Operating voltage range: -20% to +10% of nominal voltage; AC voltage frequency is 50/60 Hz.



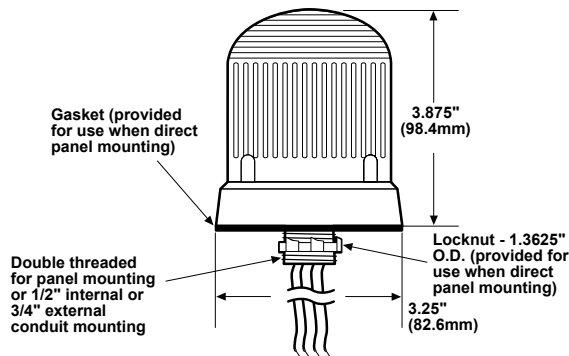
# Beacons

## Flashing Xenon

### 125 Class

#### Features and Specifications

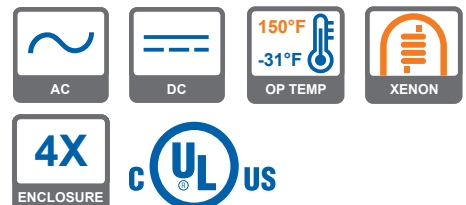
- Xenon strobe light source
- Flash rate 65 fpm
- Shatter-resistant polycarbonate lens
- Gray or black glass filled nylon base
- Available in normal or high light output
- Suitable for indoor and outdoor applications
- For outdoor use, lens should face up
- Option for panel or conduit mounting
- NEMA Type 4X enclosure
- Operating temperature range: -31°F to 150°F (-35°C to 66°C)



#### Ordering Information

Description	Cat. No.	Operating Voltage <sup>1</sup>	Current	Base Color	Lens Colors	Replacement	
						Lens	Strobe Tube
High Output 300,000 peak candela	125STRHA120A	120V AC	0.120 A	Gray	Amber	125LA	91B-ST
	125STRHB120A	120V AC	0.120 A	Gray	Blue	125LB	
	125STRHC120A	120V AC	0.120 A	Gray	Clear	125LC	
	125STRHG120A	120V AC	0.120 A	Gray	Green	125LG	
	125STRHR120A	120V AC	0.120 A	Gray	Red	125LR	
	125STRHA120AB	120V AC	0.120 A	Black	Amber	125LA	91B-ST
	125STRHB120AB	120V AC	0.120 A	Black	Blue	125LB	
	125STRHC120AB	120V AC	0.120 A	Black	Clear	125LC	
	125STRHG120AB	120V AC	0.120 A	Black	Green	125LG	
	125STRHR120AB	120V AC	0.120 A	Black	Red	125LR	
Normal Output 175,000 peak candela	125STRNA120A	120V AC	0.100 A	Gray	Amber	125LA	91B-ST
	125STRNB120A	120V AC	0.100 A	Gray	Blue	125LB	
	125STRNC120A	120V AC	0.100 A	Gray	Clear	125LC	
	125STRNG120A	120V AC	0.100 A	Gray	Green	125LG	
	125STRNR120A	120V AC	0.100 A	Gray	Red	125LR	
	125STRNA120AB	120V AC	0.100 A	Black	Amber	125LA	91B-ST
	125STRNB120AB	120V AC	0.100 A	Black	Blue	125LB	
	125STRNC120AB	120V AC	0.100 A	Black	Clear	125LC	
	125STRNG120AB	120V AC	0.100 A	Black	Green	125LG	
	125STRNR120AB	120V AC	0.100 A	Black	Red	125LR	
	125STRNA240A	240V AC	0.050 A	Gray	Amber	125LA	91B-ST
	125STRNB240A	240V AC	0.050 A	Gray	Blue	125LB	
	125STRNC240A	240V AC	0.050 A	Gray	Clear	125LC	
	125STRNG240A	240V AC	0.050 A	Gray	Green	125LG	
	125STRNR240A	240V AC	0.050 A	Gray	Red	125LR	
	125STRNA240AB	240V AC	0.050 A	Black	Amber	125LA	91B-ST
	125STRNB240AB	240V AC	0.050 A	Black	Blue	125LB	
	125STRNC240AB	240V AC	0.050 A	Black	Clear	125LC	
125STRNG240AB	240V AC	0.050 A	Black	Green	125LG		
125STRNR240AB	240V AC	0.050 A	Black	Red	125LR		

<sup>1</sup>AC voltage frequency is 50/60 Hz





# Beacons

## Flashing Xenon

### 125 Class

Ordering Information		Continued					
Description	Cat. No.	Operating Voltage	Current	Base Color	Lens Colors	Replacement	
						Lens	Strobe Tube
Normal Output 175,000 peak candela	125STRNA1248D	12-48V DC	0.350 A	Gray	Amber	125LA	114-ST
	125STRNB1248D	12-48V DC	0.350 A	Gray	Blue	125LB	
	125STRNC1248D	12-48V DC	0.350 A	Gray	Clear	125LC	
	125STRNG1248D	12-48V DC	0.350 A	Gray	Green	125LG	
	125STRNR1248D	12-48V DC	0.350 A	Gray	Red	125LR	
	125STRNA1248DB	12-48V DC	0.350 A	Black	Amber	125LA	114-ST
	125STRNB1248DB	12-48V DC	0.350 A	Black	Blue	125LB	
	125STRNC1248DB	12-48V DC	0.350 A	Black	Clear	125LC	
	125STRNG1248DB	12-48V DC	0.350 A	Black	Green	125LG	
	125STRNR1248DB	12-48V DC	0.350 A	Black	Red	125LR	

Accessories	
Description	Cat. No.
Protective Wire Guard	125GRD
Corner Mount Bracket	CBR
Wall Mount Bracket	WBR

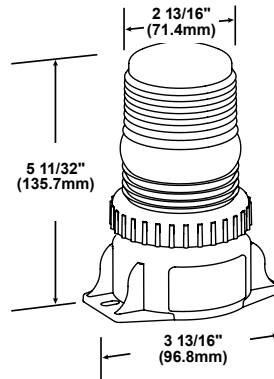
# Beacons

## Flashing Xenon

### 117 Class

#### Features and Specifications

- Xenon strobe light source
- Flash rate 65 fpm
- Five lens colors
- Replacement lens not available
- Black Impact Resistant Polycarbonate ABS blend base
- Surface mounting
- Replaceable linear strobe tube powered at 1.75 joules
- NEMA Type 4X enclosure



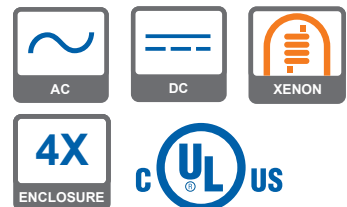
#### Ordering Information

Description	Cat. No.	Operating Voltage <sup>1</sup>	Current	Lens Color	Peak Candela	Lamp Rating <sup>2</sup>	Replacement	
							Lens	Strobe Tube
Flashing Strobe Beacon AC Flange Base	<b>117A-N5</b>	120V AC	0.02 A	Amber	175,000	1500 hr.	117LA	91B-ST
	<b>117B-N5</b>	120V AC	0.02 A	Blue	175,000	1500 hr.	117LB	
	<b>117C-N5</b>	120V AC	0.02 A	Clear	175,000	1500 hr.	117LC	
	<b>117G-N5</b>	120V AC	0.02 A	Green	175,000	1500 hr.	117LG	
	<b>117M-N5</b>	120V AC	0.02 A	Magenta	175,000	1500 hr.	117LM	
	<b>117R-N5</b>	120V AC	0.02 A	Red	175,000	1500 hr.	117LR	
	<b>117A-R5</b>	240V AC	0.015 A	Amber	175,000	1500 hr.	117LA	
	<b>117B-R5</b>	240V AC	0.015 A	Blue	175,000	1500 hr.	117LB	
	<b>117C-R5</b>	240V AC	0.015 A	Clear	175,000	1500 hr.	117LC	
	<b>117G-R5</b>	240V AC	0.015 A	Green	175,000	1500 hr.	117LG	
	<b>117M-R5</b>	240V AC	0.015 A	Magenta	175,000	1500 hr.	117LM	
	<b>117R-R5</b>	240V AC	0.015 A	Red	175,000	1500 hr.	117LR	
Flashing Strobe Beacon DC Flange Base	<b>117A-EM</b>	10 - 110V DC	0.350 A	Amber	175,000	1500 hr.	117LA	
	<b>117B-EM</b>	10 - 110V DC	0.350 A	Blue	175,000	1500 hr.	117LB	
	<b>117C-EM</b>	10 - 110V DC	0.350 A	Clear	175,000	1500 hr.	117LC	
	<b>117G-EM</b>	10 - 110V DC	0.350 A	Green	175,000	1500 hr.	117LG	
	<b>117M-EM</b>	12 - 80V DC	0.350 A	Magenta	175,000	1500 hr.	117LM	
	<b>117R-EM</b>	10 - 110V DC	0.350 A	Red	175,000	1500 hr.	117LR	

<sup>1</sup>AC voltage frequency is 50/60 Hz

<sup>2</sup>Calculated strobe tube life at operating power to 75% efficiency.

VISUAL SIGNALS



# Beacons

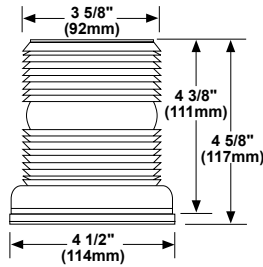
## Flashing Xenon

### 105 Series

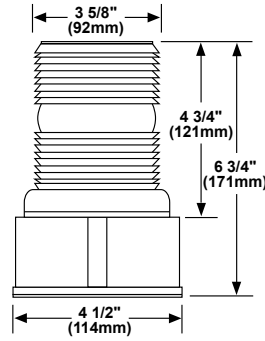
#### Features and Specifications

- Xenon strobe light source
- Flash rate 65 fpm
- Shatter-resistant double fresnel polycarbonate lens
- Gray Rynite® (PET) base with brass hardware
- Suitable for indoor, outdoor and marine applications
- For outdoor use, lens should face up
- Option for panel, conduit or wall mounting
- NEMA Type 4X enclosure
- Class I, Div 2, Groups A, B, C and D; Class II, Div 2, Groups F and G; Class III

Cat. No's. 105ST



Cat. No's. 105HIST, 105DHIST



#### Ordering Information

Description	Cat. No.	Operating Voltage	Current	Lens Colors	Peak Candela	Replacement	
						Lens	Strobe Tube
Xenon Strobe 3 Joule	105STA-N5	120V AC	0.1 A	Amber	300,000	105-LA	
	105STB-N5	120V AC	0.1 A	Blue	300,000	105-LB	
	105STC-N5	120V AC	0.1 A	Clear	300,000	105-LC	91B-ST
	105STG-N5	120V AC	0.1 A	Green	300,000	105-LG	3,000 hours <sup>1</sup>
	105STM-N5	120V AC	0.1 A	Magenta	300,000	105-LM	
	105STR-N5	120V AC	0.1 A	Red	300,000	105-LR	
	105STA-R5	240V AC	0.02 A	Amber	300,000	105-LA	
	105STB-R5	240V AC	0.02 A	Blue	300,000	105-LB	
	105STC-R5	240V AC	0.02 A	Clear	300,000	105-LC	91B-ST
	105STG-R5	240V AC	0.02 A	Green	300,000	105-LG	3,000 hours <sup>1</sup>
	105STM-R5	240V AC	0.02 A	Magenta	300,000	105-LM	
	105STR-R5	240V AC	0.02 A	Red	300,000	105-LR	
	105STA-G1	24V DC	0.3 A	Amber	300,000	105-LA	
	105STB-G1	24V DC	0.3 A	Blue	300,000	105-LB	
	105STC-G1	24V DC	0.3 A	Clear	300,000	105-LC	91B-ST
	105STG-G1	24V DC	0.3 A	Green	300,000	105-LG	3,000 hours <sup>1</sup>
	105STM-G1	24V DC	0.3 A	Magenta	300,000	105-LM	
	105STR-G1	24V DC	0.3 A	Red	300,000	105-LR	
High Intensity 8 Joule Strobe	105HISTA-EK	12-48V DC	0.8 A @ 24V	Amber	800,000	105H-LA	
	105HISTB-EK	12-48V DC	0.8 A @ 24V	Blue	800,000	105H-LB	
	105HISTC-EK	12-48V DC	0.8 A @ 24V	Clear	800,000	105H-LC	92-ST
	105HISTG-EK	12-48V DC	0.8 A @ 24V	Green	800,000	105H-LG	3,000 hours <sup>1</sup>
	105HISTM-EK	12-48V DC	0.8 A @ 24V	Magenta	800,000	105H-LM	
	105HISTR-EK	12-48V DC	0.8 A @ 24V	Red	800,000	105H-LR	
	105HISTA-N5	120V AC	0.1 A	Amber	800,000	105H-LA	
	105HISTB-N5	120V AC	0.1 A	Blue	800,000	105H-LB	
	105HISTC-N5	120V AC	0.1 A	Clear	800,000	105H-LC	92-ST
	105HISTG-N5	120V AC	0.1 A	Green	800,000	105H-LG	3,000 hours <sup>1</sup>

<sup>1</sup>Strobe tube life at operating power to 75% efficiency.



# Beacons

## Flashing Xenon

### 105 Series

Ordering Information		Continued					
Description	Cat. No.	Operating Voltage	Current	Lens Colors	Peak Candela	Replacement	
						Lens	Strobe Tube
High Intensity 8 Joule Strobe (continued)	<b>105HISTA-R5</b>	240V AC	0.05 A	Amber	800,000	105H-LA	
	<b>105HISTB-R5</b>	240V AC	0.05 A	Blue	300,000	105H-LB	
	<b>105HISTC-R5</b>	240V AC	0.05 A	Clear	300,000	105H-LC	92-ST
	<b>105HISTG-R5</b>	240V AC	0.05 A	Green	300,000	105H-LG	3,000 hours <sup>1</sup>
	<b>105HISTM-R5</b>	240V AC	0.05 A	Magenta	300,000	105H-LM	
	<b>105HISTR-R5</b>	240V AC	0.05 A	Red	300,000	105H-LR	
	<b>105DHISTA-FJ</b>	20-30V DC	1.08 - 0.83 A	Amber	800,000	105H-LA	
	<b>105DHISTB-FJ</b>	20-30V DC	1.08 - 0.83 A	Blue	300,000	105H-LB	
	<b>105DHISTG-FJ</b>	20-30V DC	1.08 - 0.83 A	Green	300,000	105H-LG	92-ST
	<b>105DHISTM-FJ</b>	20-30V DC	1.08 - 0.83 A	Magenta	300,000	105H-LM	3,000 hours <sup>1</sup>
Fire Alarm (UL 1971) 8 Joule Strobe	<b>105DHISTC-FJ</b>	20-30V DC	1.08 - 0.83 A	Clear	26 cd wall (dome out)	105H-LC	92-ST
					24 cd wall (dome down)		
					26 cd ceiling		

<sup>1</sup>Strobe tube life at operating power to 75% efficiency.

Required Mounting Options	
Description	Cat. No.
Wall Mount Bracket	<b>105BM<sup>2</sup></b>
Outlet Box Attachment	<b>105BX</b>
Pipe Mount Attachment	<b>105PM</b>

<sup>2</sup>Must be used with the 105BX

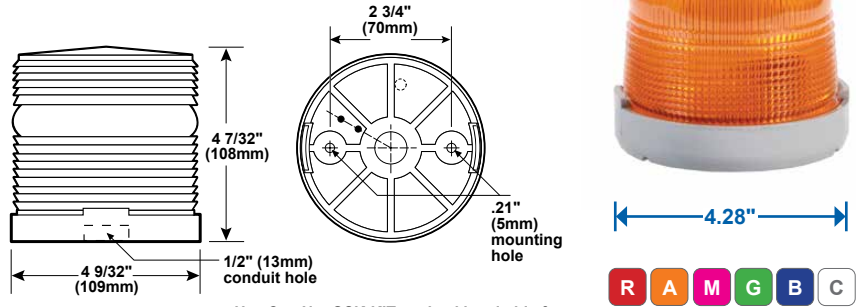
# Beacons

## Flashing Xenon

### 96 and 98 Series

#### Features and Specifications

- Xenon strobe light source
- Flash rate 65 fpm
- Snap-on high impact plastic base
- Optically designed fresnel lenses
- Resistant to shock and vibration
- Suitable for indoor and outdoor applications
- For outdoor use, lens should face up
- NEMA Type 4X enclosure
- Option for panel or conduit mounting
- Operating temperature range: -31°F to 150°F (-35°C to 66°C)



Use Cat. No. GSK-KIT gasket kit suitable for outdoor surface mount installation on AC units

#### Ordering Information

Description	Cat. No.	Operating Voltage <sup>1</sup>	Current	Lens Colors	Peak Candela	Replacement		
						Lens	Strobe Tube	
Xenon Strobe AC	96BA-N5	120V AC	0.10 A	Amber	300,000	96-LA	91B-ST 3,000 hours <sup>2</sup>	
	96BB-N5	120V AC	0.10 A	Blue	300,000	96-LB		
	96BC-N5	120V AC	0.10 A	Clear	300,000	96-LC		
	96BG-N5	120V AC	0.10 A	Green	300,000	96-LG		
	96BM-N5	120V AC	0.10 A	Magenta	300,000	96-LM		
	96BR-N5	120V AC	0.10 A	Red	300,000	96-LR		
	Xenon Strobe DC	96BA-R5	240V AC	0.02 A	Amber	300,000	96-LA	91B-ST 3,000 hours <sup>2</sup>
		96BB-R5	240V AC	0.02 A	Blue	300,000	96-LB	
		96BC-R5	240V AC	0.02 A	Clear	300,000	96-LC	
		96BG-R5	240V AC	0.02 A	Green	300,000	96-LG	
		96BM-R5	240V AC	0.02 A	Magenta	300,000	96-LM	
		96BR-R5	240V AC	0.02 A	Red	300,000	96-LR	
Xenon Strobe DC		98BA-E1	12V DC	0.5 A	Amber	300,000	96-LA	91B-ST 3,000 hours <sup>2</sup>
		98BB-E1	12V DC	0.5 A	Blue	300,000	96-LB	
		98BC-E1	12V DC	0.5 A	Clear	300,000	96-LC	
		98BG-E1	12V DC	0.5 A	Green	300,000	96-LG	
		98BM-E1	12V DC	0.5 A	Magenta	300,000	96-LM	
		98BR-E1	12V DC	0.5 A	Red	300,000	96-LR	
	Xenon Strobe DC	98BA-G1	24V DC	0.3 A	Amber	300,000	96-LA	91B-ST 3,000 hours <sup>2</sup>
		98BB-G1	24V DC	0.3 A	Blue	300,000	96-LB	
		98BC-G1	24V DC	0.3 A	Clear	300,000	96-LC	
		98BG-G1	24V DC	0.3 A	Green	300,000	96-LG	
		98BM-G1	24V DC	0.3 A	Magenta	300,000	96-LM	
		98BR-G1	24V DC	0.3 A	Red	300,000	96-LR	
	Xenon Strobe DC	98BA-FY	36V DC	0.3 A	Amber	300,000	96-LA	91B-ST 3,000 hours <sup>2</sup>
		98BB-FY	36V DC	0.3 A	Blue	300,000	96-LB	
		98BC-FY	36V DC	0.3 A	Clear	300,000	96-LC	
		98BG-FY	36V DC	0.3 A	Green	300,000	96-LG	
		98BM-FY	36V DC	0.3 A	Magenta	300,000	96-LM	
		98BR-FY	36V DC	0.3 A	Red	300,000	96-LR	

<sup>1</sup>AC voltage frequency is 50/60 Hz  
<sup>2</sup>Calculated at operating power to 75% efficiency.

#### Accessories

Description	Cat. No.
Corner Mount Bracket	CBR
Wall Mount Bracket	WBR



\*AC versions only

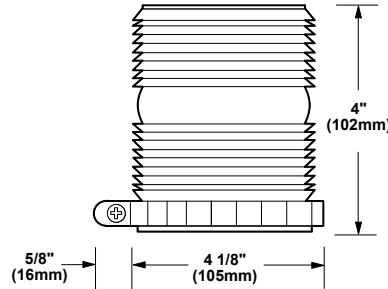
# Beacons

## Flashing Xenon

### 96 Series

#### Features and Specifications

- Xenon strobe light source
- Flash rate 65 fpm
- Optically designed fresnel lenses
- Resistant to shock and vibration
- Suitable for indoor and outdoor applications
- For outdoor use, lens should face up
- NEMA Type 4X enclosure
- Class I, Div 2, Groups A, B, C and D; Class II, Div 2, Groups F and G; Class III
- Option for panel or conduit mounting
- Operating temperature range: -31°F to 150°F (-35°C to 66°C)

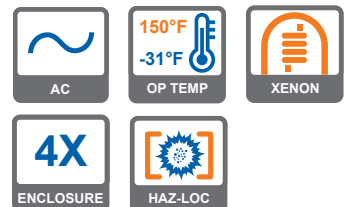


#### Ordering Information

Description	Cat. No.	Operating Voltage <sup>1</sup>	Current	Lens Colors	Peak Candela	Replacement	
						Lens	Strobe Tube
Xenon Strobe	96DV2A-N5	120V AC	0.03 A	Amber	300,000	96-LA	
	96DV2B-N5	120V AC	0.03 A	Blue	300,000	96-LB	
	96DV2C-N5	120V AC	0.03 A	Clear	300,000	96-LC	91B-ST
	96DV2G-N5	120V AC	0.03 A	Green	300,000	96-LG	3,000 hour <sup>2</sup>
	96DV2M-N5	120V AC	0.03 A	Magenta	300,000	96-LM	
	96DV2R-N5	120V AC	0.03 A	Red	300,000	96-LR	

<sup>1</sup>AC voltage frequency is 50/60 Hz

<sup>2</sup>Calculated at operating power to 75% efficiency.



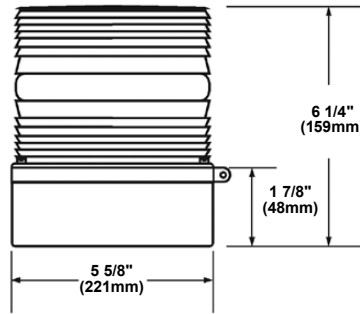
# Beacons

## Flashing Xenon

### 92 Series

#### Features and Specifications

- Xenon strobe light source
- Flash rate 65 fpm
- Cast base can function as a junction box
- Optically designed fresnel lenses
- Suitable for indoor and outdoor applications
- For outdoor use, lens should face up
- Option for panel, conduit or box mounting
- Designed for 4" octagonal box mounting
- Operating temperature range: -31°F to 150°F (-35°C to 66°C)



VISUAL SIGNALS

#### Ordering Information

Description	Cat. No.	Lens Colors	Operating Voltage <sup>1</sup>	Current	Peak Candela	Strobe Tube Life <sup>2</sup>	Replacement	
							Lens	Strobe Tube
Xenon Strobe	92A-R5	Amber	240V AC	0.05 A	800,000	3,000 hr	V93-LA	
	92B-R5	Blue	240V AC	0.05 A	800,000	3,000 hr	V93-LB	
	92C-R5	Clear	240V AC	0.05 A	800,000	3,000 hr	V93-LC	92-ST
	92G-R5	Green	240V AC	0.05 A	800,000	3,000 hr	V93-LG	3,000 hour <sup>2</sup>
	92M-R5	Magenta	240V AC	0.05 A	800,000	3,000 hr	V93-LM	
	92R-R5	Red	240V AC	0.05 A	800,000	3,000 hr	V93-LR	
Xenon Strobe Single Flash	92PLCA-N5	Amber	120V AC	0.1 A	1,400,000	5,000 hr	V93-LA	
	92PLCB-N5	Blue	120V AC	0.1 A	1,400,000	5,000 hr	V93-LB	
	92PLCC-N5	Clear	120V AC	0.1 A	1,400,000	5,000 hr	V93-LC	92-LST
	92PLCG-N5	Green	120V AC	0.1 A	1,400,000	5,000 hr	V93-LG	1,400,000 cd <sup>2</sup>
	92PLCM-N5	Magenta	120V AC	0.1 A	1,400,000	5,000 hr	V93-LM	
	92PLCR-N5	Red	120V AC	0.1 A	1,400,000	5,000 hr	V93-LR	
Xenon Strobe Double Flash	92PLC-DFA-N5	Amber	120V AC	0.1 A	800,000	3,000 hr	V93-LA	
	92PLC-DFB-N5	Blue	120V AC	0.1 A	800,000	3,000 hr	V93-LB	
	92PLC-DFC-N5	Clear	120V AC	0.1 A	800,000	3,000 hr	V93-LC	92-LST
	92PLC-DFG-N5	Green	120V AC	0.1 A	800,000	3,000 hr	V93-LG	800,000 cd <sup>2</sup>
	92PLC-DFM-N5	Magenta	120V AC	0.1 A	800,000	3,000 hr	V93-LM	
	92PLC-DFR-N5	Red	120V AC	0.1 A	800,000	3,000 hr	V93-LR	

<sup>1</sup>AC voltage frequency is 50/60 Hz

<sup>2</sup>Calculated at operating power to 75% efficiency.

#### Accessories

Description	Cat. No.
Corner Mount Bracket	CBR
Wall Mount Bracket	WBR



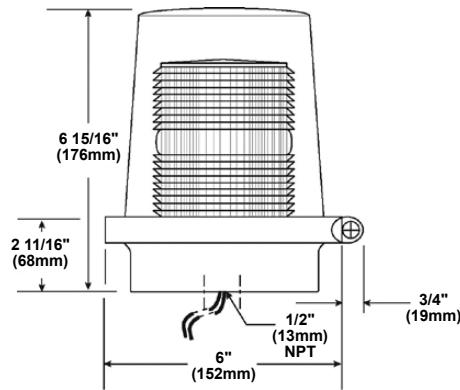
# Beacons

## Flashing Xenon

### 90 Series

#### Features and Specifications

- Xenon strobe light source
- Flash rate 65 fpm
- Cast base can function as a junction box
- Optically designed fresnel lenses
- Suitable for indoor and outdoor applications
- For outdoor use, lens should face up
- Option for panel, conduit or box mounting
- Designed for 4" octagonal box mounting
- Operating temperature range: -31°F to 150°F (-35°C to 66°C)



#### Ordering Information

Description	Cat. No.	Operating Voltage <sup>1</sup>	Current	Lens Color	Peak Candela	Replacement		
						Lens	Strobe Tube	Dome
Xenon Strobe	90A-N5	120V AC	0.1 A	Amber	1,400,000	92-LA		
	90B-N5	120V AC	0.1 A	Blue	1,400,000	92-LB		
	90C-N5	120V AC	0.1 A	Clear	1,400,000	92-LC		
	90G-N5	120V AC	0.1 A	Green	1,400,000	92-LG	92-LST	52-LC
	90M-N5	120V AC	0.1 A	Magenta	1,400,000	92-LM	5,000 hours <sup>2</sup>	
	90R-N5	120V AC	0.1 A	Red	1,400,000	92-LR		

<sup>1</sup>AC voltage frequency is 50/60 Hz  
<sup>2</sup>Calculated at operating power to 75% efficiency.

#### Accessories

Description	Cat. No.
Corner Mount Bracket	CBR
Wall Mount Bracket	WBR

VISUAL SIGNALS





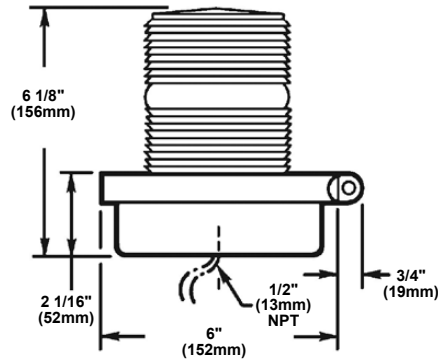
# Beacons

## Flashing Xenon

### 92 Series

#### Features and Specifications

- Xenon strobe light source
- Flash rate 65 fpm
- Cast base can function as a junction box
- Optically designed fresnel lenses
- Suitable for indoor and outdoor applications
- For outdoor use, lens should face up
- Option for panel, conduit or box mounting
- Designed for 4" octagonal box mounting
- Operating temperature range: -31°F to 150°F (-35°C to 65.6°C)



#### Ordering Information

Description	Cat. No.	Operating Voltage <sup>1</sup>	Current	Lens Colors	Peak Candela	Replacement	
						Lens	Strobe Tube
Xenon Strobe	92A-N5	120V AC	0.1 A	Amber	1,400,000	92-LA	
	92B-N5	120V AC	0.1 A	Blue	1,400,000	92-LB	
	92C-N5	120V AC	0.1 A	Clear	1,400,000	92-LC	92-LST 5,000 hour <sup>2</sup>
	92G-N5	120V AC	0.1 A	Green	1,400,000	92-LG	
	92M-N5	120V AC	0.1 A	Magenta	1,400,000	92-LM	
	92R-N5	120V AC	0.1 A	Red	1,400,000	92-LR	

<sup>1</sup>AC voltage frequency is 50/60 Hz

<sup>2</sup>Calculated at operating power to 75% efficiency.

#### Accessories

Description	Cat. No.
Corner Mount Bracket	CBR
Wall Mount Bracket	WBR
Lens Guard	92-GRD



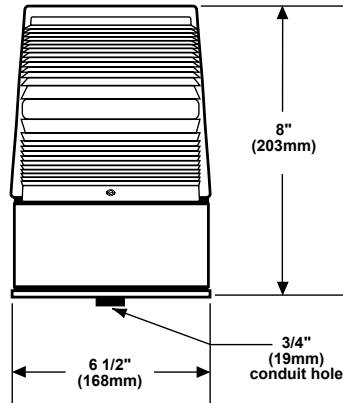
# Beacons

## Flashing Xenon

### 57EDF Series

#### Features and Specifications

- Xenon strobe light source
- Shatter resistant polycarbonate lens
- Suitable for indoor and outdoor applications
- For outdoor use, lens should face up
- 3/4" conduit mount
- NEMA Type 4X enclosure
- Operating temperature range: -31°F to 150°F (-35°C to 66°C)



VISUAL SIGNALS

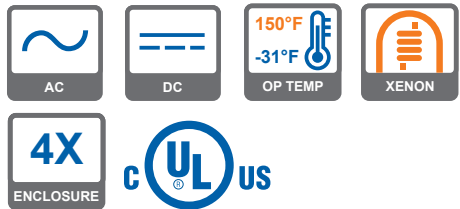
#### Ordering Information

Description	Cat. No.	Operating Voltage <sup>1</sup>	Current	Lens Colors	Peak Candela	Strobe Tube Life <sup>2</sup>	Replacement		
							Lens	Strobe Tube	Dome
Xenon Strobe AC	57EDFA-N5	120V AC	0.2 A	Amber	2.3 million	3,000 hr	57E-LA		
	57EDFB-N5	120V AC	0.2 A	Blue	2.3 million	3,000 hr	57E-LB		
	57EDFC-N5	120V AC	0.2 A	Clear	2.3 million	3,000 hr	57E-LC	92-ST	57E-DC
	57EDFG-N5	120V AC	0.2 A	Green	2.3 million	3,000 hr	57E-LG		
	57EDFM-N5	120V AC	0.2 A	Magenta	2.3 million	3,000 hr	57E-LM		
	57EDFR-N5	120V AC	0.2 A	Red	2.3 million	3,000 hr	57E-LR		
	57EDFA-R5	240V AC	0.1 A	Amber	2.3 million	3,000 hr	57E-LA		
	57EDFB-R5	240V AC	0.1 A	Blue	2.3 million	3,000 hr	57E-LB		
	57EDFC-R5	240V AC	0.1 A	Clear	2.3 million	3,000 hr	57E-LC	92-ST	57E-DC
	57EDFG-R5	240V AC	0.1 A	Green	2.3 million	3,000 hr	57E-LG		
57EDFM-R5	240V AC	0.1 A	Magenta	2.3 million	3,000 hr	57E-LM			
57EDFR-R5	240V AC	0.1 A	Red	2.3 million	3,000 hr	57E-LR			
Xenon Strobe DC	57EDFA-G1	24V DC	2.2 A	Amber	2.3 million	3,000 hr	57E-LA		
	57EDFB-G1	24V DC	2.2 A	Blue	2.3 million	3,000 hr	57E-LB		
	57EDFC-G1	24V DC	2.2 A	Clear	2.3 million	3,000 hr	57E-LC	92-ST	57E-DC
	57EDFG-G1	24V DC	2.2 A	Green	2.3 million	3,000 hr	57E-LG		
	57EDFM-G1	24V DC	2.2 A	Magenta	2.3 million	3,000 hr	57E-LM		
	57EDFR-G1	24V DC	2.2 A	Red	2.3 million	3,000 hr	57E-LR		

<sup>1</sup>AC voltage frequency is 50/60 Hz  
<sup>2</sup>Calculated strobe tube life at operating power to 75% efficiency

#### Accessories

Description	Cat. No.
Corner Mount Bracket	CBR
Wall Mount Bracket	WBR



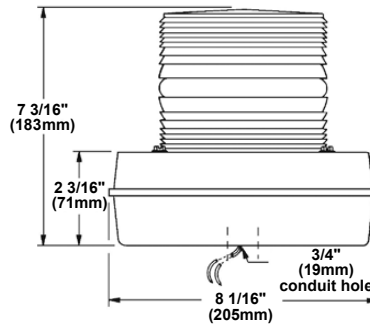
# Beacons

## Flashing Xenon

### 93 and 97 Series

#### Features and Specifications

- Xenon strobe light source
- Cast base can function as a junction box
- Optically designed fresnel lenses
- Single and double flash models
- Suitable for indoor and outdoor applications
- For outdoor use, lens should face up
- 93 Series - 3/4" conduit mount
- 97 Series - panel or 3/4" conduit mounting
- Operating temperature range: -31°F to 150°F (-35°C to 66°C)



VISUAL SIGNALS

#### Ordering Information

Description	Cat. No.	Operating Voltage <sup>1</sup>	Current	Lens Colors	Flash Rate	Peak Candela	Replacement	
							Lens	Strobe Tube
Xenon Strobe Single Flash AC	93A-N5	120V AC	0.1 A	Amber	65 fpm	800,000	93-LA	
	93B-N5	120V AC	0.1 A	Blue	65 fpm	800,000	93-LB	
	93C-N5	120V AC	0.1 A	Clear	65 fpm	800,000	93-LC	92-ST
	93G-N5	120V AC	0.1 A	Green	65 fpm	800,000	93-LG	3,000 hour <sup>2</sup>
	93M-N5	120V AC	0.1 A	Magenta	65 fpm	800,000	93-LM	
	93R-N5	120V AC	0.1 A	Red	65 fpm	800,000	93-LR	
	93A-R5	240V AC	0.05 A	Amber	65 fpm	800,000	93-LA	
	93B-R5	240V AC	0.05 A	Blue	65 fpm	800,000	93-LB	
	93C-R5	240V AC	0.05 A	Clear	65 fpm	800,000	93-LC	92-ST
	93G-R5	240V AC	0.05 A	Green	65 fpm	800,000	93-LG	3,000 hour <sup>2</sup>
	93M-R5	240V AC	0.05 A	Magenta	65 fpm	800,000	93-LM	
	93R-R5	240V AC	0.05 A	Red	65 fpm	800,000	93-LR	
Xenon Strobe Double Flash AC	93DFA-N5	120V AC	0.1 A	Amber	50 dfpm	1,100,000	93-LA	
	93DFB-N5	120V AC	0.1 A	Blue	50 dfpm	1,100,000	93-LB	
	93DFC-N5	120V AC	0.1 A	Clear	50 dfpm	1,100,000	93-LC	92-ST
	93DFG-N5	120V AC	0.1 A	Green	50 dfpm	1,100,000	93-LG	3,000 hour <sup>2</sup>
	93DFM-N5	120V AC	0.1 A	Magenta	50 dfpm	1,100,000	93-LM	
	93DFR-N5	120V AC	0.1 A	Red	50 dfpm	1,100,000	93-LR	
	93DFA-R5	240V AC	0.05 A	Amber	50 dfpm	1,100,000	93-LA	
	93DFB-R5	240V AC	0.05 A	Blue	50 dfpm	1,100,000	93-LB	
	93DFC-R5	240V AC	0.05 A	Clear	50 dfpm	1,100,000	93-LC	92-ST
	93DFG-R5	240V AC	0.05 A	Green	50 dfpm	1,100,000	93-LG	3,000 hour <sup>2</sup>
	93DFM-R5	240V AC	0.05 A	Magenta	50 dfpm	1,100,000	93-LM	
	93DFR-R5	240V AC	0.05 A	Red	50 dfpm	1,100,000	93-LR	

<sup>1</sup>AC voltage frequency is 50/60 Hz  
<sup>2</sup>Calculated at operating power to 75% efficiency.



# Beacons

## Flashing Xenon

### 93 and 97 Series

Ordering Information		Continued						Replacement	
Description	Cat. No.	Operating Voltage	Current	Lens Colors	Flash Rate	Peak Candela	Lens	Strobe Tube	
Xenon Strobe Single Flash DC	97A-EK	12-48V DC	1.20 A	Amber	65 fpm	800,000	93-LA	92-ST 3,000 hour <sup>1</sup>	
	97B-EK	12-48V DC	1.20 A	Blue	65 fpm	800,000	93-LB		
	97C-EK	12-48V DC	1.20 A	Clear	65 fpm	800,000	93-LC		
	97G-EK	12-48V DC	1.20 A	Green	65 fpm	800,000	93-LG		
	97M-EK	12-48V DC	1.20 A	Magenta	65 fpm	800,000	93-LM		
	97R-EK	12-48V DC	1.20 A	Red	65 fpm	800,000	93-LR		
	97A-MP	72-125V DC	0.20 A	Amber	65 fpm	800,000	93-LA	92-ST 3,000 hour <sup>1</sup>	
	97B-MP	72-125V DC	0.20 A	Blue	65 fpm	800,000	93-LB		
	97C-MP	72-125V DC	0.20 A	Clear	65 fpm	800,000	93-LC		
	97G-MP	72-125V DC	0.20 A	Green	65 fpm	800,000	93-LG		
	97M-MP	72-125V DC	0.20 A	Magenta	65 fpm	800,000	93-LM		
	97R-MP	72-125V DC	0.20 A	Red	65 fpm	800,000	93-LR		
Xenon Strobe Double Flash DC	97DFA-EK	12-48V DC	1.20 A	Amber	50 dfpm	1,100,000	93-LA	92-ST 3,000 hour <sup>1</sup>	
	97DFB-EK	12-48V DC	1.20 A	Blue	50 dfpm	1,100,000	93-LB		
	97DFC-EK	12-48V DC	1.20 A	Clear	50 dfpm	1,100,000	93-LC		
	97DFG-EK	12-48V DC	1.20 A	Green	50 dfpm	1,100,000	93-LG		
	97DFM-EK	12-48V DC	1.20 A	Magenta	50 dfpm	1,100,000	93-LM		
	97DFR-EK	12-48V DC	1.20 A	Red	50 dfpm	1,100,000	93-LR		
	97DFA-MP	72-125V DC	0.20 A	Amber	50 dfpm	1,100,000	93-LA	92-ST 3,000 hour <sup>1</sup>	
	97DFB-MP	72-125V DC	0.20 A	Blue	50 dfpm	1,100,000	93-LB		
	97DFC-MP	72-125V DC	0.20 A	Clear	50 dfpm	1,100,000	93-LC		
	97DFG-MP	72-125V DC	0.20 A	Green	50 dfpm	1,100,000	93-LG		
	97DFM-MP	72-125V DC	0.20 A	Magenta	50 dfpm	1,100,000	93-LM		
	97DFR-MP	72-125V DC	0.20 A	Red	50 dfpm	1,100,000	93-LR		

<sup>1</sup>Calculated at operating power to 75% efficiency.

Accessories	
Description	Cat. No.
Corner Mount Bracket	CBR
Wall Mount Bracket	WBR

VISUAL SIGNALS

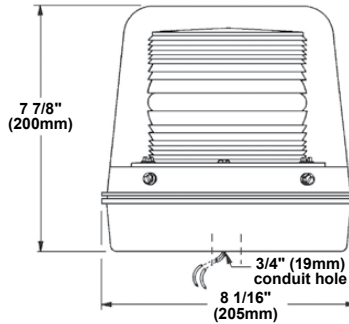
# Beacons

## Flashing Xenon

### 94 Series

#### Features and Specifications

- Xenon strobe light source
- Cast base can function as a junction box
- Optically designed fresnel lenses
- Suitable for indoor and outdoor applications
- For outdoor use, lens should face up
- Conduit mounting
- NEMA Type 4X enclosure
- Class I, Div 2, Groups A, B, C and D; Class II, Div 2, Groups F and G; Class III, (94DV2 and 94DDV2)



VISUAL SIGNALS

#### Ordering Information

Description	Cat. No.	Operating Voltage <sup>1</sup>	Current	Lens Colors	Flash Rate	Peak Candela	Replacement			
							Lens	Dome	Strobe Tube	
Xenon Strobe Single Flash	94A-N5	120V AC	0.1 A	Amber	65 fpm	800,000	93-LA	94-DC	92-ST 3,000 hour <sup>2</sup>	
	94B-N5	120V AC	0.1 A	Blue	65 fpm	800,000	93-LB			
	94C-N5	120V AC	0.1 A	Clear	65 fpm	800,000	93-LC			
	94G-N5	120V AC	0.1 A	Green	65 fpm	800,000	93-LG			
	94M-N5	120V AC	0.1 A	Magenta	65 fpm	800,000	93-LM			
	94R-N5	120V AC	0.1 A	Red	65 fpm	800,000	93-LR	94-DC	92-ST 3,000 hour <sup>2</sup>	
	94A-R5	240V AC	0.05 A	Amber	65 fpm	800,000	93-LA			
	94B-R5	240V AC	0.05 A	Blue	65 fpm	800,000	93-LB			
	94C-R5	240V AC	0.05 A	Clear	65 fpm	800,000	93-LC			
	94G-R5	240V AC	0.05 A	Green	65 fpm	800,000	93-LG			
94M-R5	240V AC	0.05 A	Magenta	65 fpm	800,000	93-LM	94-DC	92-ST 3,000 hour <sup>2</sup>		
94R-R5	240V AC	0.05 A	Red	65 fpm	800,000	93-LR				
94DFA-N5	120V AC	0.1 A	Amber	50 dfpm	1,100,000	93-LA			94-DC	92-ST 3,000 hour <sup>2</sup>
94DFB-N5	120V AC	0.1 A	Blue	50 dfpm	1,100,000	93-LB				
94DFC-N5	120V AC	0.1 A	Clear	50 dfpm	1,100,000	93-LC				
94DFG-N5	120V AC	0.1 A	Green	50 dfpm	1,100,000	93-LG				
94DFM-N5	120V AC	0.1 A	Magenta	50 dfpm	1,100,000	93-LM	94-DC	92-ST 3,000 hour <sup>2</sup>		
94DFR-N5	120V AC	0.1 A	Red	50 dfpm	1,100,000	93-LR				
94DFA-R5	240V AC	0.05 A	Amber	50 dfpm	1,100,000	93-LA				
94DFB-R5	240V AC	0.05 A	Blue	50 dfpm	1,100,000	93-LB				
94DFC-R5	240V AC	0.05 A	Clear	50 dfpm	1,100,000	93-LC				
94DFG-R5	240V AC	0.05 A	Green	50 dfpm	1,100,000	93-LG	94-DC	92-ST 3,000 hour <sup>2</sup>		
94DFM-R5	240V AC	0.05 A	Magenta	50 dfpm	1,100,000	93-LM				
94DFR-R5	240V AC	0.05 A	Red	50 dfpm	1,100,000	93-LR				

<sup>1</sup>AC voltage frequency is 50/60 Hz

<sup>2</sup>Calculated at operating power to 75% efficiency.



# Beacons

## Flashing Xenon

### 94 Series

Ordering Information		Continued							
Description	Cat. No.	Operating Voltage <sup>1</sup>	Current	Lens Colors	Flash Rate	Peak Candela	Replacement		
							Lens	Dome	Strobe Tube
Xenon Strobe Haz Loc AC	<b>94DV2A-N5</b>	120V AC	0.1 A	Amber	65 fpm	800,000	93-LA		
	<b>94DV2B-N5</b>	120V AC	0.1 A	Blue	65 fpm	800,000	93-LB		
	<b>94DV2C-N5</b>	120V AC	0.1 A	Clear	65 fpm	800,000	93-LC	94DV2-DC	92-ST 3,000 hour <sup>2</sup>
	<b>94DV2G-N5</b>	120V AC	0.1 A	Green	65 fpm	800,000	93-LG		
	<b>94DV2M-N5</b>	120V AC	0.1 A	Magenta	65 fpm	800,000	93-LM		
	<b>94DV2R-N5</b>	120V AC	0.1 A	Red	65 fpm	800,000	93-LR		
Xenon Strobe Haz Loc DC Diode Polarized	<b>94DDV2A-G1</b>	24V DC	1.2 A	Amber	65 fpm	800,000	93-LA		
	<b>94DDV2B-G1</b>	24V DC	1.2 A	Blue	65 fpm	800,000	93-LB		
	<b>94DDV2C-G1</b>	24V DC	1.2 A	Clear	65 fpm	800,000	93-LC	94DV2-DC	92-ST 3,000 hour <sup>2</sup>
	<b>94DDV2G-G1</b>	24V DC	1.2 A	Green	65 fpm	800,000	93-LG		
	<b>94DDV2M-G1</b>	24V DC	1.2 A	Magenta	65 fpm	800,000	93-LM		
	<b>94DDV2R-G1</b>	24V DC	1.2 A	Red	65 fpm	800,000	93-LR		

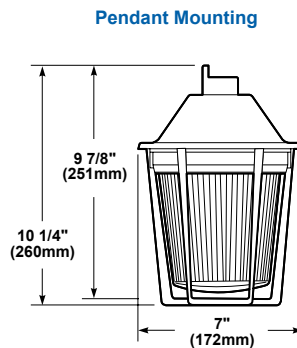
<sup>1</sup>AC voltage frequency is 50/60 Hz

<sup>2</sup>Calculated at operating power to 75% efficiency.

# Beacons Flashing Xenon 107 Series

## Features and Specifications

- Xenon strobe light source
- Flash rate 65 fpm
- High impact glass dome
- Dome Guard (Optional)
- NEMA Type 3R and 4X enclosure
- Suitable for indoor, outdoor and marine applications (Only N5, R5 and S1 are Marine Rated)
- Option for bracket, ceiling or pendant mount
- Bracket and Ceiling Mount: Class I, Div 2, Groups A, B, C, and D; Class II, Div 2, Groups F and G, Class III
- Pendant Mount: Class I, Div 2, Groups A, B, C, and D; Class II, Div 2, Groups F and G, Class III, Class II, Div 1, Groups E, F and G



VISUAL SIGNALS

## Ordering Information

Description	Cat. No.	Operating Voltage <sup>1</sup>	Current	Lens Color	Peak Candela	Replacement		
						Inner Lens	Dome	Strobe Tube
Bracket Mount AC	107DV2BSTA-N5	120V AC	0.1 A	Amber	800,000	96-LA	EDVPGL1HR	92-ST 3,000 hr. <sup>2</sup>
	107DV2BSTB-N5	120V AC	0.1 A	Blue	800,000	96-LB		
	107DV2BSTC-N5	120V AC	0.1 A	Clear	800,000	96-LC		
	107DV2BSTG-N5	120V AC	0.1 A	Green	800,000	96-LG		
	107DV2BSTM-N5	120V AC	0.1 A	Magenta	800,000	96-LM		
	107DV2BSTR-N5	120V AC	0.1 A	Red	800,000	96-LR		
	107DV2BSTA-R5	240V AC	0.05 A	Amber	800,000	96-LA	EDVPGL1HR	92-ST 3,000 hr. <sup>2</sup>
	107DV2BSTB-R5	240V AC	0.05 A	Blue	800,000	96-LB		
	107DV2BSTC-R5	240V AC	0.05 A	Clear	800,000	96-LC		
	107DV2BSTG-R5	240V AC	0.05 A	Green	800,000	96-LG		
	107DV2BSTM-R5	240V AC	0.05 A	Magenta	800,000	96-LM		
	107DV2BSTR-R5	240V AC	0.05 A	Red	800,000	96-LR		
Bracket Mount DC	107DV2BSTA-EK	12 - 48V DC	1.2 A - 0.38 A	Amber	800,000	96-LA	EDVPGL1HR	92-ST 3,000 hr. <sup>2</sup>
	107DV2BSTB-EK	12 - 48V DC	1.2 A - 0.38 A	Blue	800,000	96-LB		
	107DV2BSTC-EK	12 - 48V DC	1.2 A - 0.38 A	Clear	800,000	96-LC		
	107DV2BSTG-EK	12 - 48V DC	1.2 A - 0.38 A	Green	800,000	96-LG		
	107DV2BSTM-EK	12 - 48V DC	1.2 A - 0.38 A	Magenta	800,000	96-LM		
	107DV2BSTR-EK	12 - 48V DC	1.2 A - 0.38 A	Red	800,000	96-LR		
	107DV2BSTA-S1	250V DC	0.1 A	Amber	800,000	96-LA	EDVPGL1HR	92-ST 3,000 hr. <sup>2</sup>
	107DV2BSTB-S1	250V DC	0.1 A	Blue	800,000	96-LB		
	107DV2BSTC-S1	250V DC	0.1 A	Clear	800,000	96-LC		
	107DV2BSTG-S1	250V DC	0.1 A	Green	800,000	96-LG		
	107DV2BSTM-S1	250V DC	0.1 A	Magenta	800,000	96-LM		
	107DV2BSTR-S1	250V DC	0.1 A	Red	800,000	96-LR		

<sup>1</sup>AC voltage frequency is 60 Hz  
<sup>2</sup>Calculated at operating power to 75% efficiency.



# Beacons

## Flashing Xenon

### 107 Series

Ordering Information		Continued						Replacement		
Description	Cat. No.	Operating Voltage <sup>1</sup>	Current	Lens Color	Peak Candela	Replacement				
						Inner Lens	Dome	Strobe Tube		
Ceiling Mount AC	107DV2CSTA-N5	120V AC	0.1 A	Amber	800,000	96-LA	EDVPGL1HR	92-ST 3,000 hr. <sup>2</sup>		
	107DV2CSTB-N5	120V AC	0.1 A	Blue	800,000	96-LB				
	107DV2CSTC-N5	120V AC	0.1 A	Clear	800,000	96-LC				
	107DV2CSTG-N5	120V AC	0.1 A	Green	800,000	96-LG				
	107DV2CSTM-N5	120V AC	0.1 A	Magenta	800,000	96-LM				
	107DV2CSTR-N5	120V AC	0.1 A	Red	800,000	96-LR				
	107DV2CSTA-R5	240V AC	0.05 A	Amber	800,000	96-LA	EDVPGL1HR	92-ST 3,000 hr. <sup>2</sup>		
	107DV2CSTB-R5	240V AC	0.05 A	Blue	800,000	96-LB				
	107DV2CSTC-R5	240V AC	0.05 A	Clear	800,000	96-LC				
	107DV2CSTG-R5	240V AC	0.05 A	Green	800,000	96-LG				
	107DV2CSTM-R5	240V AC	0.05 A	Magenta	800,000	96-LM				
	107DV2CSTR-R5	240V AC	0.05 A	Red	800,000	96-LR				
Ceiling Mount DC	107DV2CSTA-EK	12 - 48V DC	1.2 A	Amber	800,000	96-LA	EDVPGL1HR	92-ST 3,000 hr. <sup>2</sup>		
	107DV2CSTB-EK	12 - 48V DC	1.2 A	Blue	800,000	96-LB				
	107DV2CSTC-EK	12 - 48V DC	1.2 A	Clear	800,000	96-LC				
	107DV2CSTG-EK	12 - 48V DC	1.2 A	Green	800,000	96-LG				
	107DV2CSTM-EK	12 - 48V DC	1.2 A	Magenta	800,000	96-LM				
	107DV2CSTR-EK	12 - 48V DC	1.2 A	Red	800,000	96-LR				
	107DV2CSTA-S1	250V DC	0.1 A	Amber	800,000	96-LA	EDVPGL1HR	92-ST 3,000 hr. <sup>2</sup>		
	107DV2CSTB-S1	250V DC	0.1 A	Blue	800,000	96-LB				
	107DV2CSTC-S1	250V DC	0.1 A	Clear	800,000	96-LC				
	107DV2CSTG-S1	250V DC	0.1 A	Green	800,000	96-LG				
	107DV2CSTM-S1	250V DC	0.1 A	Magenta	800,000	96-LM				
	107DV2CSTR-S1	250V DC	0.1 A	Red	800,000	96-LR				
Pendant Mount AC	107DV2PSTA-N5	120V AC	0.1 A	Amber	800,000	96-LA	EDVPGL1HR	92-ST 3,000 hr. <sup>2</sup>		
	107DV2PSTB-N5	120V AC	0.1 A	Blue	800,000	96-LB				
	107DV2PSTC-N5	120V AC	0.1 A	Clear	800,000	96-LC				
	107DV2PSTG-N5	120V AC	0.1 A	Green	800,000	96-LG				
	107DV2PSTM-N5	120V AC	0.1 A	Magenta	800,000	96-LM				
	107DV2PSTR-N5	120V AC	0.1 A	Red	800,000	96-LR				
	107DV2PSTA-R5	240V AC	0.05 A	Amber	800,000	96-LA	EDVPGL1HR	92-ST 3,000 hr. <sup>2</sup>		
	107DV2PSTB-R5	240V AC	0.05 A	Blue	800,000	96-LB				
	107DV2PSTC-R5	240V AC	0.05 A	Clear	800,000	96-LC				
	107DV2PSTG-R5	240V AC	0.05 A	Green	800,000	96-LG				
	107DV2PSTM-R5	240V AC	0.05 A	Magenta	800,000	96-LM				
	107DV2PSTR-R5	240V AC	0.05 A	Red	800,000	96-LR				
Pendant Mount DC	107DV2PSTA-EK	12 - 48V DC	1.2 A	Amber	800,000	96-LA	EDVPGL1HR	92-ST 3,000 hr. <sup>2</sup>		
	107DV2PSTB-EK	12 - 48V DC	1.2 A	Blue	800,000	96-LB				
	107DV2PSTC-EK	12 - 48V DC	1.2 A	Clear	800,000	96-LC				
	107DV2PSTG-EK	12 - 48V DC	1.2 A	Green	800,000	96-LG				
	107DV2PSTM-EK	12 - 48V DC	1.2 A	Magenta	800,000	96-LM				
	107DV2PSTR-EK	12 - 48V DC	1.2 A	Red	800,000	96-LR				
	107DV2PSTA-S1	250V DC	0.1 A	Amber	800,000	96-LA	EDVPGL1HR	92-ST 3,000 hr. <sup>2</sup>		
	107DV2PSTB-S1	250V DC	0.1 A	Blue	800,000	96-LB				
	107DV2PSTC-S1	250V DC	0.1 A	Clear	800,000	96-LC				
	107DV2PSTG-S1	250V DC	0.1 A	Green	800,000	96-LG				
	107DV2PSTM-S1	250V DC	0.1 A	Magenta	800,000	96-LM				
	107DV2PSTR-S1	250V DC	0.1 A	Red	800,000	96-LR				

<sup>1</sup>AC voltage frequency is 60 Hz

<sup>2</sup>Calculated at operating power to 75% efficiency.



# Beacons

## Flashing Xenon

### 107 Series

Ordering Information		Continued						
Description	Cat. No.	Operating Voltage	Current	Lens Colors	Peak Candela	Replacement		
						Inner Lens	Dome	Strobe Tube
Diode Polarized Bracket Mount	<b>107DDV2BSTA-G1</b>	24V DC	1.4 A	Amber	800,000	96-LA	EDVPGL1HR	92-ST 3,000 hr. <sup>1</sup>
	<b>107DDV2BSTB-G1</b>	24V DC	1.4 A	Blue	800,000	96-LB		
	<b>107DDV2BSTC-G1</b>	24V DC	1.4 A	Clear	800,000	96-LC		
	<b>107DDV2BSTG-G1</b>	24V DC	1.4 A	Green	800,000	96-LG		
	<b>107DDV2BSTM-G1</b>	24V DC	1.4 A	Magenta	800,000	96-LM		
	<b>107DDV2BSTR-G1</b>	24V DC	1.4 A	Red	800,000	96-LR		
Diode Polarized Ceiling Mount	<b>107DDV2CSTA-G1</b>	24V DC	1.4 A	Amber	800,000	96-LA	EDVPGL1HR	92-ST 3,000 hr. <sup>1</sup>
	<b>107DDV2CSTB-G1</b>	24V DC	1.4 A	Blue	800,000	96-LB		
	<b>107DDV2CSTC-G1</b>	24V DC	1.4 A	Clear	800,000	96-LC		
	<b>107DDV2CSTG-G1</b>	24V DC	1.4 A	Green	800,000	96-LG		
	<b>107DDV2CSTM-G1</b>	24V DC	1.4 A	Magenta	800,000	96-LM		
Diode Polarized Pendant Mount	<b>107DDV2PSTA-G1</b>	24V DC	1.4 A	Amber	800,000	96-LA	EDVPGL1HR	92-ST 3,000 hr. <sup>1</sup>
	<b>107DDV2PSTB-G1</b>	24V DC	1.4 A	Blue	800,000	96-LB		
	<b>107DDV2PSTC-G1</b>	24V DC	1.4 A	Clear	800,000	96-LC		
	<b>107DDV2PSTG-G1</b>	24V DC	1.4 A	Green	800,000	96-LG		
	<b>107DDV2PSTM-G1</b>	24V DC	1.4 A	Magenta	800,000	96-LM		
	<b>107DDV2PSTR-G1</b>	24V DC	1.4 A	Red	800,000	96-LR		

<sup>1</sup>Calculated at operating power to 75% efficiency.

Accessories	
Description	Cat. No.
Optional Dome Guard	<b>EDVPGU1</b>

# Beacons: Explosionproof Flashing Xenon 116 Series



7.25"



**NOTE: Mounting options not included (ordered separately)**

## Features and Specifications

- Xenon strobe light source
- Flash rate 65 fpm
- High impact glass dome, dome guard included
- Quick connect for easy assembly and installation
- Diode Polarized for use in electrically supervised circuits (116DEXMST-FJ Series only)
- Suitable for indoor and outdoor hazardous applications
- Bracket, ceiling, pendant or stanchion mounting options (ordered separately)
- NEMA Type 3R and 4X enclosure
- Explosionproof: Class I, Div 2, Groups A and B, Class I, Div 1 and 2, Groups C and D; Class II and III, Div 1, Groups E, F and G; Class II and III, Div 2, Groups F and G

VISUAL SIGNALS

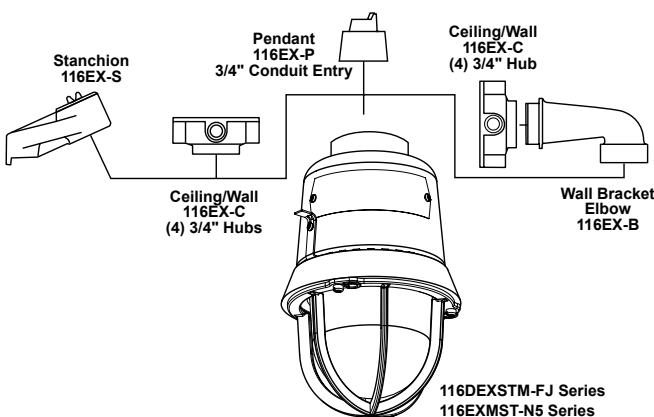
## Ordering Information

Description	Cat. No.	Operating Voltage <sup>1</sup>	Current	Lens Colors	Peak Candela	Replacement		
						Dome	Inner Lens	Strobe Tube
Xenon Strobe AC	116EXMSTA-N5	120V AC	0.1 A	Amber	800,000	116-Globe	116-ST-LA	
	116EXMSTB-N5	120V AC	0.1 A	Blue	800,000	116-Globe	116-ST-LB	
	116EXMSTC-N5	120V AC	0.1 A	Clear	800,000	116-Globe	116-ST-LC	92-ST
	116EXMSTG-N5	120V AC	0.1 A	Green	800,000	116-Globe	116-ST-LG	3,000 hours. <sup>2</sup>
	116EXMSTM-N5	120V AC	0.1 A	Magenta	800,000	116-Globe	116-ST-LM	
	116EXMSTR-N5	120V AC	0.1 A	Red	800,000	116-Globe	116-ST-LR	
Diode Polarized DC	116DEXMSTA-FJ	16 - 33V DC	0.95 A - 0.55 A	Amber	800,000	116-Globe	116-ST-LA	
	116DEXMSTB-FJ	16 - 33V DC	0.95 A - 0.55 A	Blue	800,000	116-Globe	116-ST-LB	
	116DEXMSTC-FJ	16 - 33V DC	0.95 A - 0.55 A	Clear	800,000	116-Globe	116-ST-LC	92-ST
	116DEXMSTG-FJ	16 - 33V DC	0.95 A - 0.55 A	Green	800,000	116-Globe	116-ST-LG	3,000 hours. <sup>2</sup>
	116DEXMSTM-FJ	16 - 33V DC	0.95 A - 0.55 A	Magenta	800,000	116-Globe	116-ST-LM	
	116DEXMSTR-FJ	16 - 33V DC	0.95 A - 0.55 A	Red	800,000	116-Globe	116-ST-LR	

<sup>1</sup>AC voltage frequency is 50/60 Hz

<sup>2</sup>Calculated at operating power to 75% efficiency.

## Mounting Options



## Required Mounting Options

Description	Cat. No.	Conduit Size
Wall Bracket Mounting Elbow	116EX-B	N/A
Ceiling/Wall Mounting Module	116EX-C	3/4" NPT
Pendant Mounting Module	116EX-P	3/4" NPT
Stanchion Mounting Module	116EX-S	1 1/4" NPT



# Beacons: Explosionproof Flashing Xenon 116 Series



← 7.25" →



**NOTE:** Mounting options not included (ordered separately)

## Features and Specifications

- Xenon strobe light source
- Flash rate 65 fpm
- High impact glass dome, dome guard included
- Quick connect for easy assembly and installation
- Suitable for indoor and outdoor hazardous applications
- Bracket, ceiling, pendant or stanchion mounting options (ordered separately)
- NEMA Type 3R and 4X enclosure
- Class I, Div 2, Groups A and B; Class I, Div 1 and 2, Groups C and D; Class II and III, Div 1, Groups E, F and G; Class II and III, Div 2, Groups F and G

## Ordering Information

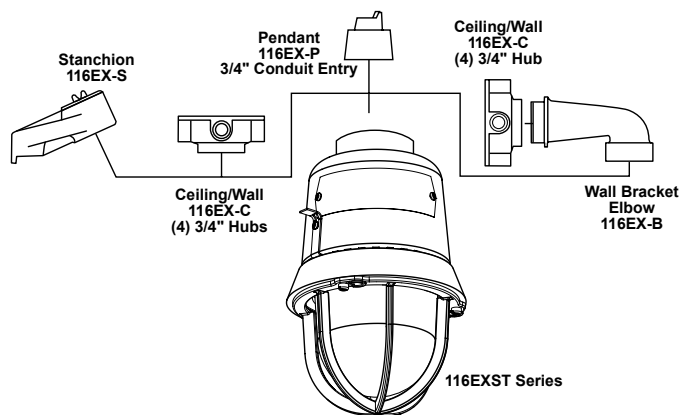
Description	Cat. No.	Operating Voltage	Current	Lens Colors	Peak Candela	Replacement		
						Dome	Inner Lens	Strobe Tube
Xenon Strobe	116EXSTA-EK	12 - 48V DC	1.2 - 0.38 A	Amber	800,000	116-Globe	116-ST-LA	92-ST 3,000 hr. <sup>1</sup>
	116EXSTB-EK	12 - 48V DC	1.2 - 0.38 A	Blue	800,000	116-Globe	116-ST-LB	
	116EXSTC-EK	12 - 48V DC	1.2 - 0.38 A	Clear	800,000	116-Globe	-	
	116EXSTG-EK	12 - 48V DC	1.2 - 0.38 A	Green	800,000	116-Globe	116-ST-LG	
	116EXSTM-EK	12 - 48V DC	1.2 - 0.38 A	Magenta	800,000	116-Globe	116-ST-LM	
	116EXSTR-EK	12 - 48V DC	1.2 - 0.38 A	Red	800,000	116-Globe	116-ST-LR	

<sup>1</sup>Calculated at operating power to 75% efficiency.

## Required Mounting Options

Description	Cat. No.	Conduit Size
Wall Bracket Mounting Elbow	116EX-B	N/A
Ceiling/Wall Mounting Module	116EX-C	3/4" NPT
Pendant Mounting Module	116EX-P	3/4" NPT
Stanchion Mounting Module	116EX-S	1 1/4" NPT

## Mounting Options



# Beacons: Explosionproof Flashing Xenon 116 Series

## Features and Specifications

- Xenon strobe light source
- Flash rate 65 fpm
- High impact glass dome, dome guard included
- Quick connect for easy assembly and installation
- Diode Polarized for use in electrically supervised circuits
- Suitable for indoor and outdoor hazardous applications
- Bracket, ceiling, pendant or stanchion mounting options (ordered separately)
- NEMA Type 3R and 4X enclosure
- UL 1971 Listed (ADA)
- Explosionproof: Class I, Div 2, Groups A and B; Class I, Div 1 and 2, Groups C and D; Class II and III, Div 1, Groups E, F and G; Class II and III, Div 2, Groups F and G



7.25"

C

**NOTE: Mounting options not included (ordered separately)**

VISUAL SIGNALS

## Ordering Information

Description	Cat. No.	Operating Voltage	Current	Lens Colors	Candela	Replacement	
						Dome	Strobe Tube
Xenon Strobe	<b>116DEXSTC-FJ</b>	24V DC FWR	0.802 A (Max. DC) 1.14 A (Max. FWR)	Clear	60 <sup>2</sup>	116-Globe	92-ST 3,000 hours. <sup>1</sup>

<sup>1</sup>Calculated at operating power to 75% efficiency.

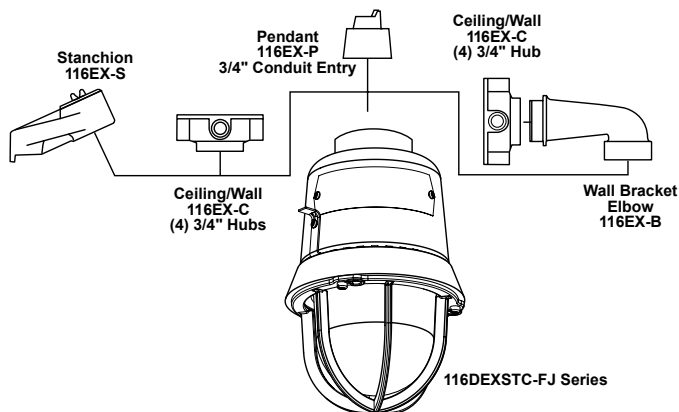
<sup>2</sup>UL1971 Fire Alarm output rating, 800,000 peak candela for non-fire alarm listing.

## Required Mounting Options

Description	Cat. No.	Conduit Size
Wall Bracket Mounting Elbow	<b>116EX-B</b>	N/A
Ceiling/Wall Mounting Module	<b>116EX-C</b>	3/4" NPT
Pendant Mounting Module	<b>116EX-P</b>	3/4" NPT
Stanchion Mounting Module <sup>3</sup>	<b>116EX-S</b>	1 1/4" NPT

<sup>3</sup>For non-fire alarm use.

## Mounting Options



# Beacons: Explosionproof Fire Alarm Flashing Xenon 116 Series

## Features and Specifications

- Xenon light source
- Flash rate 60 fpm
- Clear globe with dome guard
- Three mounting options: wall, ceiling, or pendant (ordered separately)
- Negligible in-rush current
- Approved for fire alarm applications
- NEMA Type 3R and 4X enclosures
- Can be synchronized when connected to a compatible Edwards control panel, booster power supply or synchronization module
- UL 1638, UL 1971 and cUL Listed
- Explosionproof: Class I, Div. 2, Groups A and B; Class I, Div. 1 and 2, Groups C and D; Class II, Div. 1, Groups E, F, G and Class III; Class II, Div. 2, Groups F, G and Class III.



7.25"

C

**NOTE: Mounting options not included (ordered separately)**

## Ordering Information

Description	Cat. No.	Operating Voltage <sup>1</sup>	Current	Lens Color	Replacement	
					Dome	Guard
Explosionproof Fire Alarm Strobe	116DEGEX-FJ	24V DC	0.540 A, DC, RMS 0.683 A, FWR, RMS	Clear	116-Globe	116-GRD

<sup>1</sup>Regulated 16 to 33V DC/FWR.

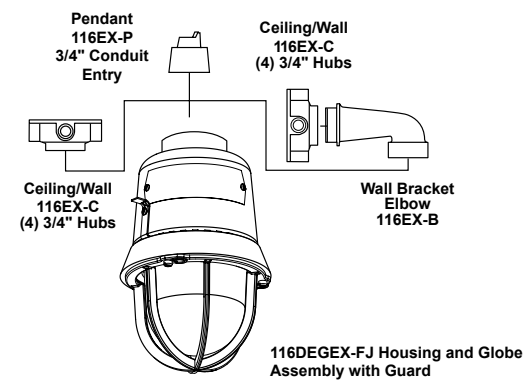
## Required Mounting Options<sup>2</sup>

Description	Cat. No.	Conduit Size
Wall Bracket Mounting Elbow	116EX-B <sup>3</sup>	N/A
Ceiling/Wall Mounting Module	116EX-C	3/4" NPT
Pendant Mounting Module	116EX-P	3/4" NPT
Synchronization Module	EG1M-RM	—

<sup>2</sup>Mounting modules must be ordered separately.

<sup>3</sup>Note: Wall mount requires both 116EX-B and 116EX-C.

## Mounting Options



**NOTE:** 116EX-C must be used when application requires 116EX-B



# Beacons: Explosionproof Flashing Xenon 116 Series

## Features and Specifications

- Xenon light source
- Clear globe with dome guard
- Five lens colors
- Flash rate 65 fpm
- Three mounting options: wall, ceiling, or pendant (ordered separately)
- Negligible in-rush current
- Can be synchronized when connected to a compatible Edwards control panel, booster power supply or synchronization module
- NEMA Type 3R and 4X enclosures
- Explosionproof: Class I, Div 1, Groups C and D; Class I, Div 2, Groups A and B; Class I, Div 1 and 2, Groups C and D; Class II and III, Div 1, Groups E, F and G; Class II and III, Div 2, Groups F and G.



← 7.25" →



**NOTE: Mounting options not included (ordered separately)**

## Ordering Information

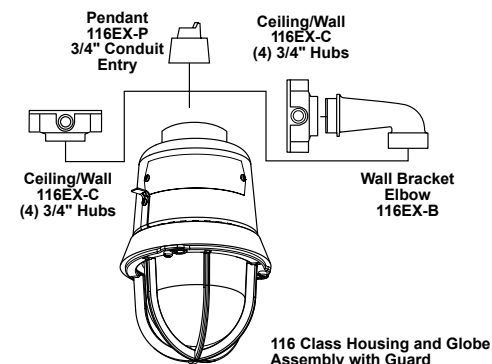
Description	Cat. No.	Operating Voltage	Current	Lens Colors	Light Output UL 1971	Replacement	
						Dome	Guard
Explosionproof Mass Notification Strobe	116DEGEXA-FJ	16-33V DC/FWR	0.540 A, DC, RMS 0.683 A, FWR, RMS	Amber	33 cd	116-Globe	116-GRD
	116DEGEXB-FJ	16-33V DC/FWR	0.540 A, DC, RMS 0.683 A, FWR, RMS	Blue	10 cd	116-Globe	116-GRD
	116DEGEXG-FJ	16-33V DC/FWR	0.540 A, DC, RMS 0.683 A, FWR, RMS	Green	19 cd	116-Globe	116-GRD
	116DEGEXM-FJ	16-33V DC/FWR	0.540 A, DC, RMS 0.683 A, FWR, RMS	Magenta	9 cd	116-Globe	116-GRD
	116DEGEXR-FJ	16-33V DC/FWR	0.540 A, DC, RMS 0.683 A, FWR, RMS	Red	6 cd	116-Globe	116-GRD

## Required Mounting Options

Description	Cat. No.	Conduit Size
Wall Bracket Mounting Elbow	116EX-B <sup>1</sup>	N/A
Ceiling/Wall Mounting Module	116EX-C	3/4" NPT
Pendant Mounting Module	116EX-P	3/4" NPT

<sup>1</sup>Note: Wall mount requires both 116EX-B and 116EX-C.

## Mounting Options



**NOTE:** 116EX-C must be used when application requires 116EX-B

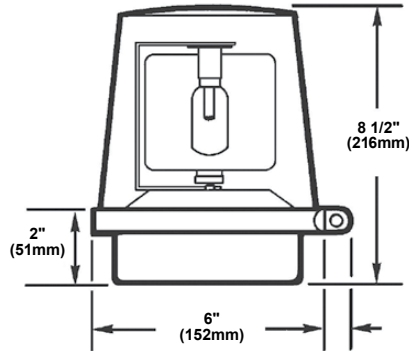
# Beacons

## Rotating Halogen or Incandescent

### 52, 53 and 53D Series

#### Features and Specifications

- Halogen or Incandescent light source
- Light intensifying reflector
- Bayonet lamp socket for easy replacement
- Cast base can function as a junction box
- 1/2" NPT conduit or surface mounting
- For indoor applications, beacon may be mounted with lens pointing upward or downward
- For outdoor applications, lens should face up
- 52 Series must be conduit mounted for outdoor applications
- 53D is only suitable for indoor applications
- Designed for 4" octagonal box mounting
- Operating temperature range: -31°F to 150°F (-35°C to 66°C)



VISUAL SIGNALS

#### Ordering Information

Description	Cat. No.	Operating Voltage <sup>1</sup>	Current	Lens Colors	Lamp Ratings	Revolution Rate	Replacement	
							Lens	Lamp
Halogen AC	52A-G5-20WH	24V AC	0.80 A	Amber		75 rpm	52-LA	
	52B-G5-20WH	24V AC	0.80 A	Blue	20 watts	75 rpm	52-LB	50LMP-20WH
	52C-G5-20WH	24V AC	0.80 A	Clear	226 lumens <sup>2</sup>	75 rpm	52-LC	or Industry Trade
	52G-G5-20WH	24V AC	0.80 A	Green	2839 cp	75 rpm	52-LG	No. 1692 <sup>4,5</sup>
	52M-G5-20WH	24V AC	0.80 A	Magenta	25,000 hours <sup>3</sup>	75 rpm	52-LM	
	52R-G5-20WH	24V AC	0.80 A	Red		75 rpm	52-LR	
	52A-N5-40WH	120V AC	0.35 A	Amber		75 rpm	52-LA	
	52B-N5-40WH	120V AC	0.35 A	Blue	40 watts	75 rpm	52-LB	
	52C-N5-40WH	120V AC	0.35 A	Clear	265 lumens <sup>2</sup>	75 rpm	52-LC	50LMP-40WH
	52G-N5-40WH	120V AC	0.35 A	Green	3328 cp	75 rpm	52-LG	
52M-N5-40WH	120V AC	0.35 A	Magenta	25,000 hours <sup>3</sup>	75 rpm	52-LM		
52R-N5-40WH	120V AC	0.35 A	Red		75 rpm	52-LR		
Incandescent AC	52A-R5	240V AC	0.10 A	Amber		75 rpm	52-LA	
	52B-R5	240V AC	0.10 A	Blue	25 watts	75 rpm	52-LB	P-041917-0039
	52C-R5	240V AC	0.10 A	Clear	232 lumens <sup>2</sup>	75 rpm	52-LC	or Industry Trade No.
	52G-R5	240V AC	0.10 A	Green	2914 cp	75 rpm	52-LG	25T8/240V/DC/CL <sup>5</sup>
	52M-R5	240V AC	0.10 A	Magenta	120 hours <sup>3</sup>	75 rpm	52-LM	
Incandescent DC	53A-E1	12V DC	1.8 A	Amber		75 rpm	52-LA	
	53B-E1	12V DC	1.8 A	Blue	25 watts	75 rpm	52-LB	
	53C-E1	12V DC	1.8 A	Clear	402 lumens <sup>2</sup>	75 rpm	52-LC	Industry Trade No. 1076 <sup>5</sup>
	53G-E1	12V DC	1.8 A	Green	5049 cp	75 rpm	52-LG	
	53R-E1	12V DC	1.8 A	Red	200 hours <sup>3</sup>	75 rpm	52-LR	

<sup>1</sup>AC voltage frequency is 50/60 Hz

<sup>2</sup>Bulb manufacturer's lumen rating

<sup>3</sup>Projected lamp life based on manufacturer's calculated lamp life at 65 rpm and 50% duty cycle.

<sup>4</sup>Incandescent lamp

<sup>5</sup>User supplied



# Beacons

## Rotating Halogen or Incandescent

### 52, 53 and 53D Series

Ordering Information		Continued						
Description	Cat. No.	Operating Voltage	Current	Lens Colors	Lamp Ratings	Revolution Rate	Replacement	
							Lens	Lamp
Incandescent DC (continued)	<b>53A-G1</b>	24V DC	1.0 A	Amber	25 watts 402 lumens <sup>1</sup> 5049 cp 500 hours <sup>2</sup>	75 rpm	52-LA	Industry Trade No. 1638 <sup>3</sup>
	<b>53B-G1</b>	24V DC	1.0 A	Blue		75 rpm	52-LB	
	<b>53C-G1</b>	24V DC	1.0 A	Clear		75 rpm	52-LC	
	<b>53G-G1</b>	24V DC	1.0 A	Green		75 rpm	52-LG	
	<b>53R-G1</b>	24V DC	1.0 A	Red		75 rpm	52-LR	
Incandescent Diode Polarized DC	<b>53DA-GW</b>	24 - 28V DC	1.0 A	Amber	25 watts 402 lumens <sup>1</sup> 5049 cp 500 hours <sup>2</sup>	75 rpm	52-LA	Industry Trade No. 1638 <sup>3</sup>
	<b>53DB-GW</b>	24 - 28V DC	1.0 A	Blue		75 rpm	52-LB	
	<b>53DC-GW</b>	24 - 28V DC	1.0 A	Clear		75 rpm	52-LC	
	<b>53DG-GW</b>	24 - 28V DC	1.0 A	Green		75 rpm	52-GC	
	<b>53DR-GW</b>	24 - 28V DC	1.0 A	Red		75 rpm	52-LR	

<sup>1</sup>Bulb manufacturer's lumen rating

<sup>2</sup>Projected lamp life based on manufacturer's calculated lamp life at 65 rpm and 50% duty cycle.

<sup>3</sup>User supplied

Accessories	
Description	Cat. No.
Corner Mount Bracket	<b>CBR</b>
Wall Mount Bracket	<b>WBR</b>



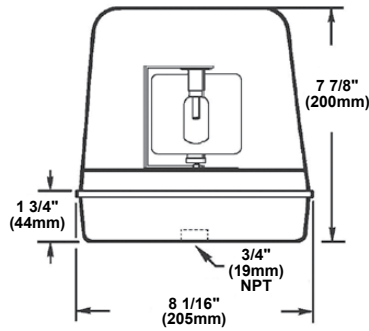
# Beacons

## Rotating Halogen

### 58 Series

#### Features and Specifications

- Halogen light source
- Motor driven reflector
- Bayonet base lamp socket
- 3/4" NPT conduit or surface mounting
- Suitable for indoor or outdoor hazardous applications (with conduit mounting)
- For outdoor use, lens should face up
- NEMA Type 4X enclosure
- Class I, Div 2, Groups A, B, C and D; Class II, Div 2, Groups F and G; Class III, Div 1
- Operating temperature range: -31°F to 150°F (-35°C to 66°C)



#### Ordering Information

Description	Cat. No.	Operating Voltage <sup>1</sup>	Current	Lens Colors	Lamp Ratings	Revolution Rate	Replacement	
							Dome	Lamp
Rotating Light Halogen	58A-N5-100WH	120V AC	1.0 A	Amber	1,800 lumens <sup>2</sup> 1620 cd 1,000 hours <sup>3</sup>	75 rpm	94DV2-DA	100Q/CL/DC/120V
	58B-N5-100WH	120V AC	1.0 A	Blue		75 rpm	94DV2-DB	
	58C-N5-100WH	120V AC	1.0 A	Clear		75 rpm	94DV2-DC	
	58G-N5-100WH	120V AC	1.0 A	Green		75 rpm	94DV2-DG	
	58M-N5-100WH	120V AC	1.0 A	Magenta		75 rpm	94DV2-DM	
	58R-N5-100WH	120V AC	1.0 A	Red		75 rpm	94DV2-DR	

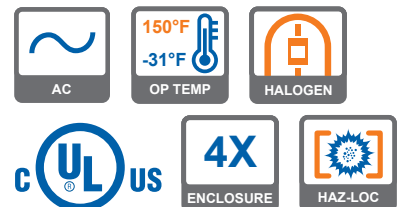
<sup>1</sup>AC voltage frequency is 50/60 Hz

<sup>2</sup>Bulb manufacturer's lumen rating

<sup>3</sup>Projected lamp life based on manufacturer's calculated lamp life at 65 rpm and 50% duty cycle.

#### Accessories

Description	Cat. No.
Corner Mount Bracket	CBR
Wall Mount Bracket	WBR



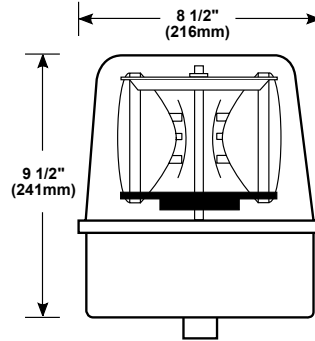
# Beacons

## Rotating Incandescent

### 100SB Series

#### Features and Specifications

- Incandescent light source
- Dual sealed beams
- PVC coated base
- Quiet belt drive for simplified maintenance
- 3/4" NPT conduit mounting
- NEMA Type 3R enclosure
- For outdoor applications, lens should face up



#### Ordering Information

Description	Cat. No.	Operating Voltage <sup>1</sup>	Current	Dome Colors	Flash Rate	Peak Candela	Replacement		
							Dome	Belt	Lamp
Rotating Light Incandescent	<b>100SBA-N5</b>	120V AC	0.8 A	Amber	80 fpm	35,000	100SB-LA		
	<b>100SBB-N5</b>	120V AC	0.8 A	Blue	80 fpm	35,000	100SB-LB		
	<b>100SBC-N5</b>	120V AC	0.8 A	Clear	80 fpm	35,000	100SB-LC	100SB-RB	GE #4416-1
	<b>100SBG-N5</b>	120V AC	0.8 A	Green	80 fpm	35,000	100SB-LG		900 hours. <sup>2, 3</sup>
	<b>100SBR-N5</b>	120V AC	0.8 A	Red	80 fpm	35,000	100SB-LR		

<sup>1</sup>AC voltage frequency is 50/60 Hz

<sup>2</sup>Projected life based on manufacturer's calculated lamp life.

<sup>3</sup>User supplied



# Beacons: Explosionproof Rotating Halogen 116 Series



7.25"



**NOTE:** Mounting options not included (ordered separately)

## Features and Specifications

- Halogen light source
- High impact glass dome, dome guard included
- Quick connect for easy assembly and installation
- Suitable for indoor or outdoor hazardous applications
- 75 rotations per minute
- Bracket, ceiling, pendant or stanchion mounting options (ordered separately)
- NEMA Type 3R and 4X enclosure
- Marine rated
- Explosionproof: Class I, Div 2, Groups A and B; Class I, Div 1 and 2, Groups C and D; Class II and III, Div 1, Groups E, F and G; Class II and III, Div 2, Group G

## Ordering Information

Description	Cat. No.	Operating Voltage <sup>1</sup>	Current	Lens Colors	Peak Candela	Replacement		
						Dome	Inner Lens	Lamp
Rotating Light Halogen	116EXMRINHA-N5	120V AC	0.35 A	Amber	3,328	116-Globe	116-RIN-LA	
	116EXMRINHB-N5	120V AC	0.35 A	Blue	3,328	116-Globe	116-RIN-LB	
	116EXMRINHC-N5	120V AC	0.35 A	Clear	3,328	116-Globe	116-RIN-LC	50LMP-40WH
	116EXMRINHG-N5	120V AC	0.35 A	Green	3,328	116-Globe	116-RIN-LG	25,000 hours. <sup>2</sup>
	116EXMRINHM-N5	120V AC	0.35 A	Magenta	3,328	116-Globe	116-RIN-LM	
	116EXMRINHR-N5	120V AC	0.35 A	Red	3,328	116-Globe	116-RIN-LR	

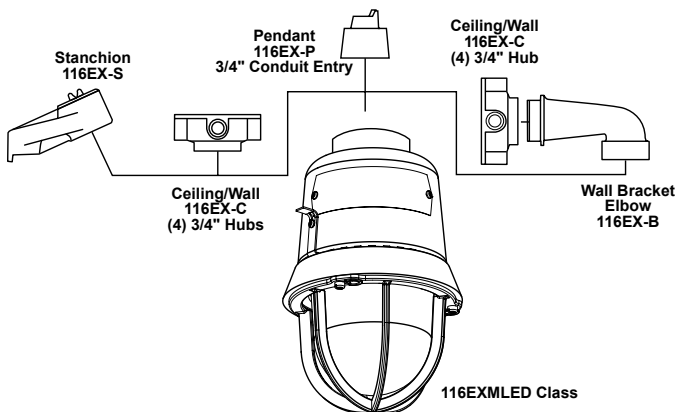
<sup>1</sup>AC voltage frequency is 50/60 Hz

<sup>2</sup>Projected life based on manufacturer's calculated lamp life.

## Required Mounting Options

Description	Cat. No.	Conduit Size
Wall Bracket Mounting Elbow	116EX-B	N/A
Ceiling/Wall Mounting Module	116EX-C	3/4" NPT
Pendant Mounting Module	116EX-P	3/4" NPT
Stanchion Mounting Module	116EX-S	1 1/4" NPT

## Mounting Options



# Beacons: Explosionproof Rotating Halogen 116 Series



← 7.25" →



**NOTE:** Mounting options not included (ordered separately)

## Features and Specifications

- Halogen light source
- High impact glass dome, dome guard included
- Quick connect for easy assembly and installation
- 75 rotations per minute
- Diode Polarized for use in electrically supervised circuits
- Suitable for indoor or outdoor hazardous applications
- Bracket, ceiling, pendant or stanchion mounting options (ordered separately)
- NEMA Type 3R and 4X enclosure
- Marine rated
- Explosionproof: Class I, Div 2, Groups A and B; Class I, Div 1 and 2, Groups C and D; Class II and III, Div 1, Groups E, F and G; Class II and III, Div 2, Group G

## Ordering Information

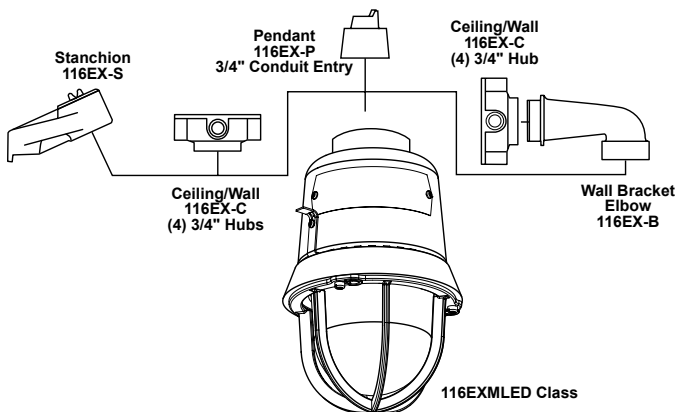
Description	Cat. No.	Operating Voltage	Current	Lens Colors	Peak Candela	Replacement		
						Dome	Inner Lens	Lamp
Rotating Light Halogen	<b>116DEXMRINHA-GW</b>	24 - 28V DC	0.8 A	Amber	2838	116-Globe	116-RIN-LA	
	<b>116DEXMRINHB-GW</b>	24 - 28V DC	0.8 A	Blue	2838	116-Globe	116-RIN-LB	
	<b>116DEXMRINHC-GW</b>	24 - 28V DC	0.8 A	Clear	2838	116-Globe	116-RIN-LC	50LMP-20WH
	<b>116DEXMRINHG-GW</b>	24 - 28V DC	0.8 A	Green	2838	116-Globe	116-RIN-LG	25,000 hours. <sup>1</sup>
	<b>116DEXMRINHM-GW</b>	24 - 28V DC	0.8 A	Magenta	2838	116-Globe	116-RIN-LM	
	<b>116DEXMRINHR-GW</b>	24 - 28V DC	0.8 A	Red	2838	116-Globe	116-RIN-LR	

<sup>1</sup>Projected life based on manufacturer's calculated lamp life.

## Required Mounting Options

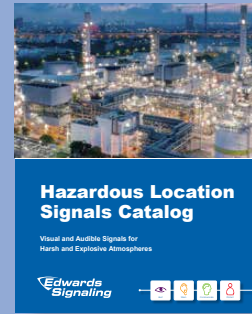
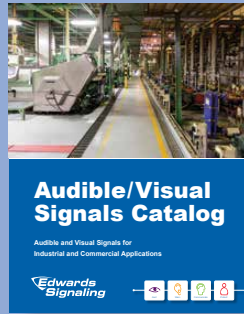
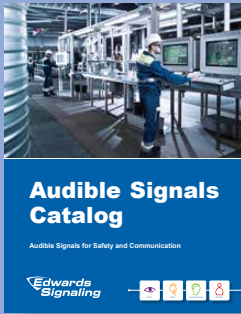
Description	Cat. No.	Conduit Size
Wall Bracket Mounting Elbow	<b>116EX-B</b>	N/A
Ceiling/Wall Mounting Module	<b>116EX-C</b>	3/4" NPT
Pendant Mounting Module	<b>116EX-P</b>	3/4" NPT
Stanchion Mounting Module	<b>116EX-S</b>	1 1/4" NPT

## Mounting Options





## Other SMARTER SIGNALING™ Solutions



Edwards Signaling is a division  
of Kidde, a Carrier Company.  
1016 Corporate Park Drive  
Mebane, NC 27302