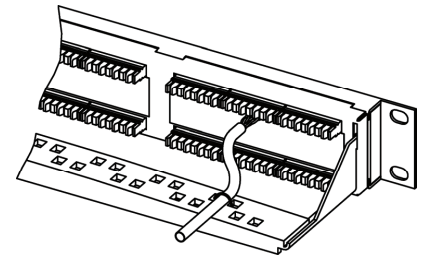
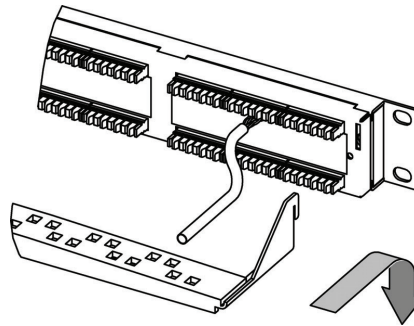
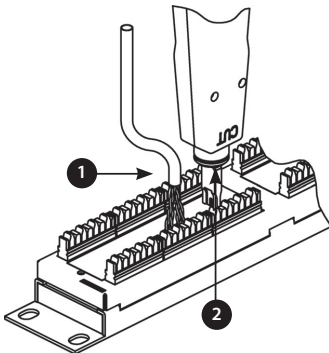


INSTRUCTIONS

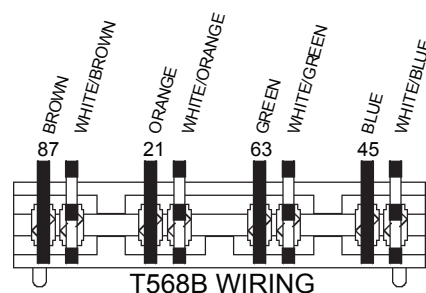
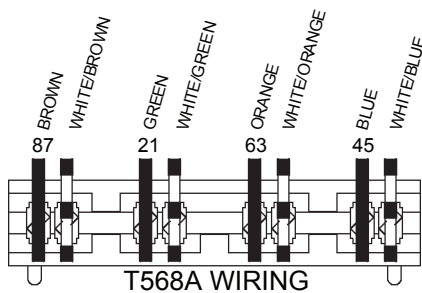
1. Strip cable jacket approximately 1-1/2". Insert wires into IDC according to the desired wiring configuration (T568A/T568B). Do not untwist wire pairs more than 1/2" from termination point.
2. Terminate wires using an impact tool; make sure excess wires are trimmed off.

Attach wire management bracket to the back of the patch panel.

Secure cables to the wire management bracket with zip ties.



WIRING DIAGRAMS



FOR MORE INFORMATION CONTACT:

☎ 1.604.881.7875 📠 1.604.881.7835

www.primex.com