

EQUIPMENT MTG HOLES
3/8" SQ WITH M6 HARWARE (STD)
#12-24 THREADED HOLES ARE OPTIONAL
310-E-EIA COMPLIANT
24 RMU
ROTATE RAILS FOR 23" EIA

DETAIL C
19" EIA SHOWN

FLEXIBLE MTG PROFILE (FMP)
FOR CABLE MANAGEMENT
FINGERS

MTG HOLES FOR
CABLE MANAGEMENT
D RINGS

MTG HOLES FOR
CABLE MANAGEMENT
FIBER SPOOL

DETAIL D
19" EIA ONLY

STRAIN
RELIEF
BRACKET

(3) 22-36 mm RANGE
PYRAMID GROMMETS

(6) 5-16 mm
RANGE FLAT
GROMMETS

DETAIL E
COMPONENTS REMOVED
FOR CLARITY

SEAMLESS GASKET
FORM-IN-PLACE
BOTH DOORS

(4) 1/4" THICK
REVERSIBLE / LIFT-OFF
LIFTING EYES
ATTACHES SOLAR SHIELD TO BOX

ALARM PANEL
ALTERNATE
LOCATION

DEPTH ADJ RAILS
1" INCREMENT SPACING

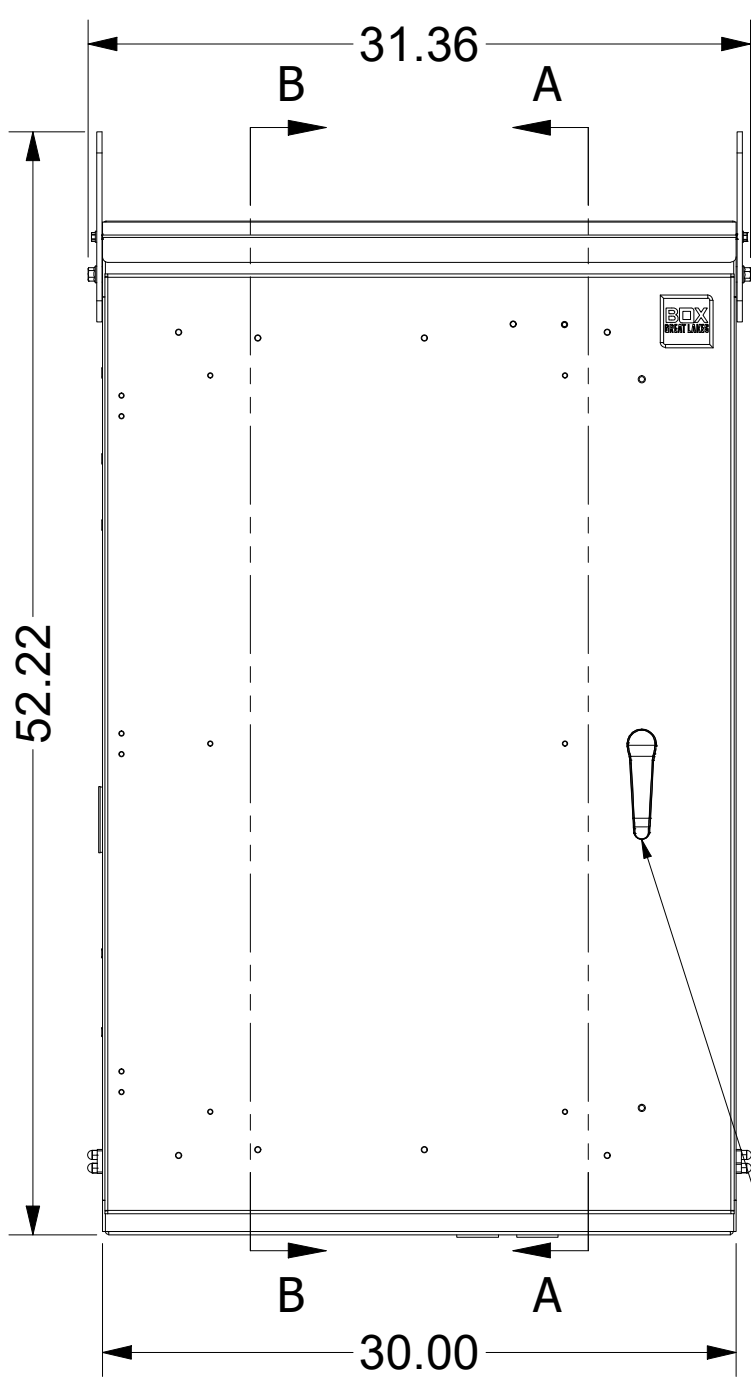
REAR

FRONT

SECTION B-B

GFCI
ALTERNATE
LOCATION

BUS BAR
ALTERNATE
LOCATION



FRONT VIEW

(2) SS HANDLE, 1/4 TURN
W/ PADLOCK FEATURE
MAX SHACKLE DIA .413 INCHES
3-POINT DOOR LATCH

5.06 MIN
8.06 STD.
(ADJ.)

LOAD CENTER
PASS THRU
HOLE PLUG

15 AMP
GFCI
DUPLEX

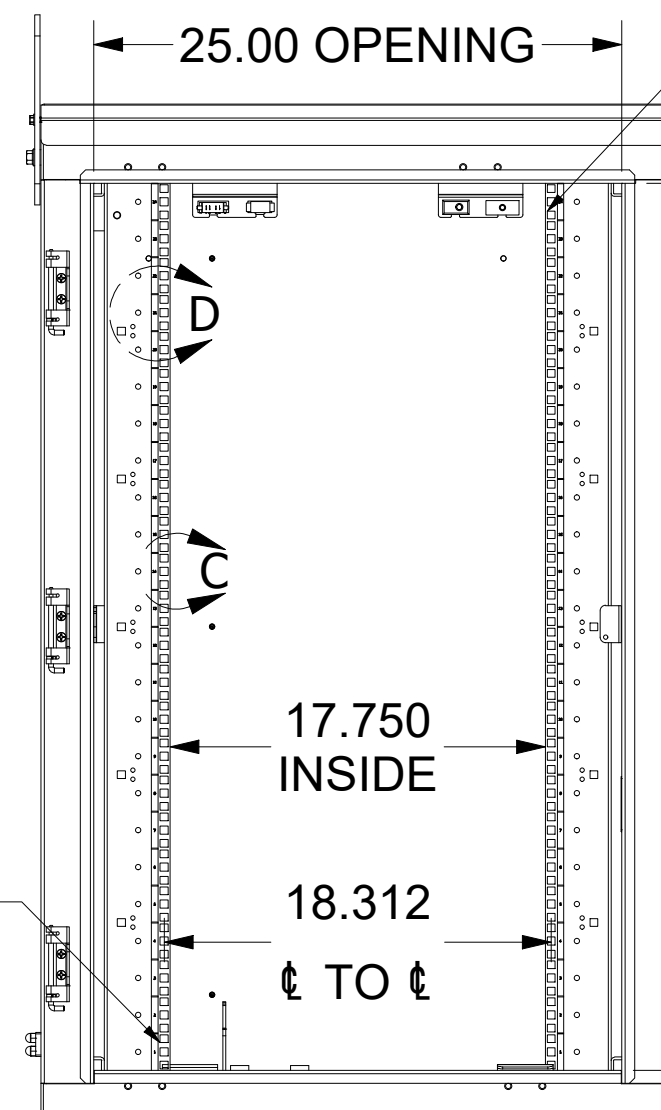
TYP. USABLE
DEPTH:
32" DEEP - 22.50
36" DEEP - 26.50
42" DEEP - 32.50

SECTION A-A

ALARM PANEL W/
(2) 12 POSITION
TERMINAL BLOCKS
W/ LABEL AREA.
22-10 AWG RANGE

BOTTOM MOST
RU DOES NOT
PULL OUT

BUS BAR: 1/4"-20
THDS. 16 POSITION,
5/8" SPACING



REAR VIEW
COMPONENTS REMOVED
FOR CLARITY

TOP RU
DOES NOT
PULL OUT

(2) 97-DEG
DOOR STOP

FRONT ISO VIEW

GROUNDING
2 POSITIONS
5/8" SPACING
THD 1/4 - 20 X 3/4

DOORS BONDED
TO CABINET W/
GROUND WIRE
FRONT AND REAR

SOLAR
SHIELD

FRONT

ZIP TIE SLOTS
ALL DOOR
TOP SUPPORTS

STD DOCUMENT
HOLDER (8.5 X 11)

REAR

REAR ISO VIEW

GROUNDING
2 POSITIONS
5/8" SPACING
THD 1/4 - 20 X 3/4

TO CONFIGURE A BOX CABINET, USE THE ATTRIBUTE CHART BELOW
SELECT AN OPTION FROM EACH COLUMN
EXAMPLE PART NUMBER: BXS04-24U32-GY-12-AC020-115:
BOX SINGLE BAY ENCLOSURE, 24U, 32"D, GRAY, 12" PLINTH, AC UNIT
(2,000 BTU, 115V)
* **SEE PAGE 2 FOR MORE AIRFLOW INFORMATION**

CONFIGURATION CHART

RATING: BXS0xx-	RMU: xxU	DEPTH: xx-	COLOR: xx-	PLINTH: xx-	COOLING HVAC *: xxxxx-xxx
3R - TYPE 3R 04 - TYPE 4	24	32 36 42	GY - Gray	00- None 04 - 4" RISER 12 - 12" RISER 16 - 16" BATTERY PLINTH	AC010-115 AC020-115 AC041-115 AC043-048 AC061-048 AC061-115 AC061-230 FFKN3A3 HX-100-048 00000-000

SPECIFICATIONS:

RACK SPACES: 24 RMU w/ NUMBERED RMU INDICATORS
19" AND 23" EIA 310-E COMPLIANT

MOUNTING RAILS: STD 3/8" SQ MTG HOLES
#12-24 THREADED HOLES ARE OPTIONAL

COLOR: DURABLE TEXTURE POWDER COATING / U.V RATED
RAL 7035 GRAY STD

CONSTRUCTION: 2 PAIR MOUNTING RAILS, #12 GA. C.R.S.
FULLY WELDED FRAME, .125" THK AL (5150)
DOOR, SIDE PANEL, TOP PANEL, .125" THK AL (5150)
SEAMS FULLY WELDED FOR NEMA 250 TYPE 4
LAP CONSTRUCTION FOR NEMA 250 TYPE 3R

HARDWARE: PACKAGE OF QTY-50; M6 SCREWS AND CAGE NUTS, INCLUDED.

RATING: SEE CHART

STANDARDS: UL LISTED PER UL508A AND CSA CERTIFIED PER CSA C22.2 No. 14

SHIPPING: SHOCK PALLET WHEN INTEGRATED WITH EQUIPMENT
OTHERWISE STANDARD PALLET

EST. WEIGHT:
N/A

THIRD ANGLE
PROJECTION

INTERPRET DRAWING PER ASME Y14.5M-1994
DIMENSIONAL LIMITS APPLY
AFTER APPLICATION OF FINISH
DRAWING NOT TO SCALE
TOLERANCE UNLESS OTHERWISE NOTED:
ANGULAR +/- 1°
.XXXX +/- .010
.XXX +/- .015
.XX +/- .030
.X FOR REF. ONLY
UNLESS OTHERWISE SPECIFIED
ALL DIMENSIONS ARE IN INCHES

NOTICE:

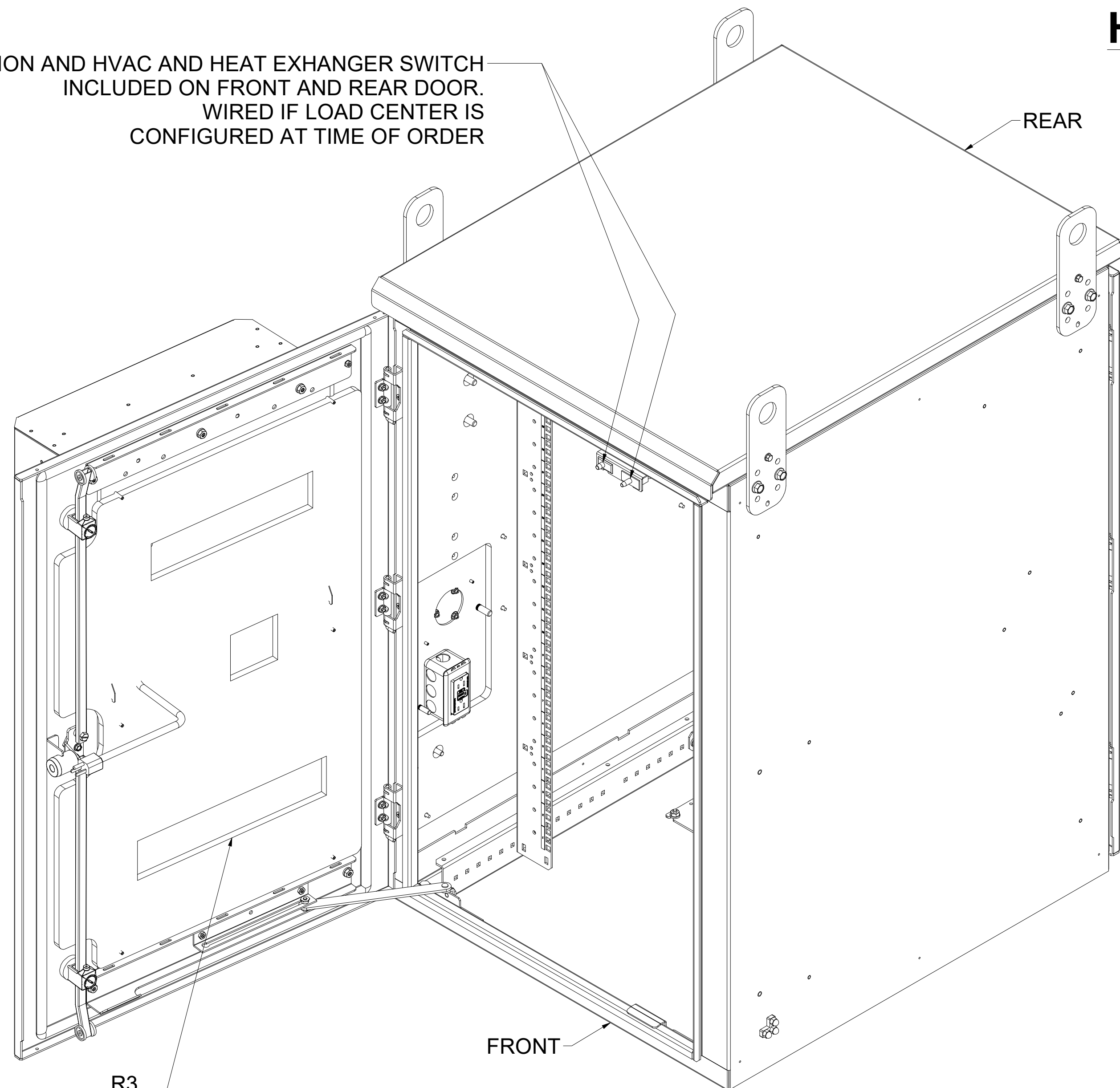
Use of this document is subject to a confidentiality and nondisclosure agreement with Great Lakes Data Racks & Cabinets and may not be reproduced, disclosed or utilized in whole or in part without prior written authorization from Great Lakes.

PART NUMBER:
SBxx-24Uxx
MATERIAL TYPE:
SEE NOTES
MATERIAL GAUGE:
FINISH: **POWDERCOAT**
DRAWN: **RK**
CHECKED & APP.:

TITLE
BOX SERIES, SINGLE BAY, TYPE-xx, 24 RMU, 30" WIDE
GREAT LAKES DATA RACKS & CABINETS
P.O. BOX 551 EDINBORO, PA 16412
PHONE (814) 734-7303 FAX (814) 734-3907
E-MAIL info@greatcabinets.com
DWG NO:
SBxx-24Uxx
REV
4
SHEET: 1 OF 6

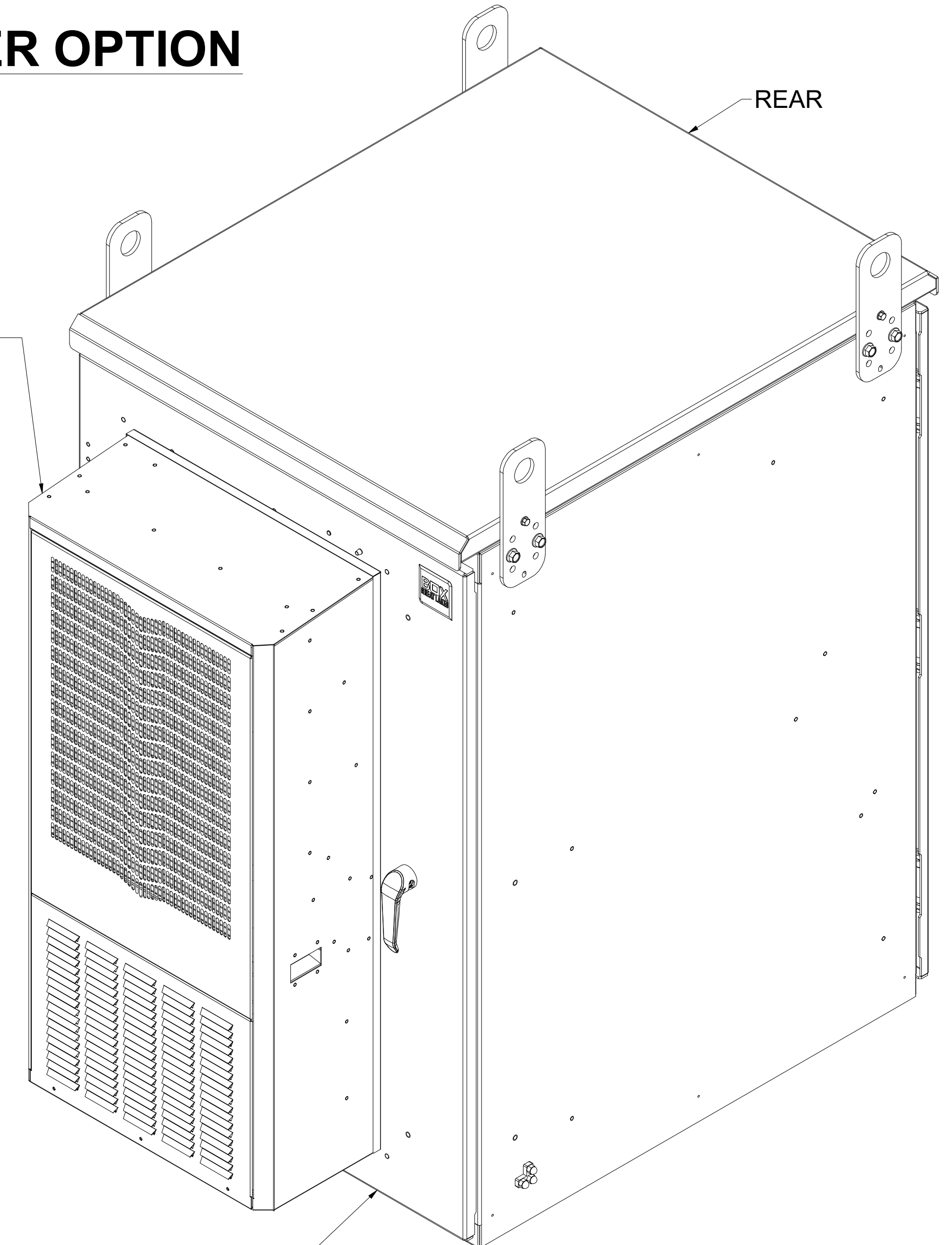
HVAC AND HEAT EXCHANGER OPTION

DOOR INTRUSION AND HVAC AND HEAT EXCHANGER SWITCH INCLUDED ON FRONT AND REAR DOOR. WIRED IF LOAD CENTER IS CONFIGURED AT TIME OF ORDER



FRONT ISO VIEW
HVAC AND HEAT EXCHANGER OPTION
INSULATION ONLY INCLUDED WITH HVAC OPTION
DOOR AND INSULATION WILL CHANGE PER HVAC UNIT

FRONT DOOR ACCEPTS MULTIPLE HVAC AND HEAT EXCHANGER OPTIONS "REFER TO HVAC AND HEAT EXCHANGER OPTION CHARTS"



FRONT ISO VIEW
HVAC AND HEAT EXCHANGER OPTION
INSTALLED WHEN CONFIGURED WITH THE CABINET

HVAC - AIR CONDITIONER OPTIONS

PART #	PRODUCT #	BTU / h	WATTS	VOLTS	DIMENSIONS	WEIGHT	COLOR	REFRIGERENT	INTERFACE	POWER CORD	ADDITIONAL COMMENTS
AC010-115	1830801	1,000	300	115V / 50-60 Hz	20"H x 10"W x 9.9"D	31 LB.	RAL 7035 GRAY	R134a	SNMP LEVEL 3	6 FT. W/ NEMA 5-15P	150W HEATER INCLUDED
AC020-115	1830803	2,000	600	115V / 50-60 Hz	20"H x 10"W x 9.9"D	40.7 LB.	RAL 7035 GRAY	R134a	SNMP LEVEL 3	6 FT. W/ NEMA 5-15P	500W HEATER INCLUDED
AC041-115	1830806	4,100	1,200	115V / 50-60 Hz	29"H x 17"W x 11.3"D	62 LB.	RAL 7035 GRAY	R134a	SNMP LEVEL 3	6 FT. W/ NEMA 5-15P	500W HEATER INCLUDED
AC043-048	1830150	4,300	1,250	48 VDC	35.4"H x 19"W x 6.9"D	62 LB.	RAL 7035 GRAY	R134a	SNMP LEVEL 3	6 FT. 3-CORE	500W HEATER INCLUDED
AC061-048	1830151	6,100	1,800	48 VDC	38.6"H x 19"W x 9.3"D	99 LB.	RAL 7035 GRAY	R134a	SNMP LEVEL 3	6 FT. 3-CORE	500W HEATER INCLUDED
AC061-115	1830097	6,100	1,800	115V / 50-60 Hz	38.6"H x 19"W x 9.3"D	99 LB.	RAL 7035 GRAY	R134a	SNMP LEVEL 3	6 FT. W/ NEMA 5-15P	500W HEATER INCLUDED
AC061-230	1830090	6,100	1,800	230V / 50-60 Hz	38.6"H x 19"W x 9.3"D	99 LB.	RAL 7035 GRAY	R134a	MODBUS RTU	6 FT. W/O PLUG	500W HEATER INCLUDED
00000-000	NO HVAC OPTION	-	-	-	CABINET SHIPS WITH SOLID FRONT DOOR	-	-	-	-	-	-

HVAC - HEAT EXCHANGER OPTION

PART #	PRODUCT #	COOLING CAPACITY	COOLING CAPACITY @ ΔT 10K	VOLTS	DIMENSIONS	WEIGHT	COLOR	REFRIGERENT	INTERFACE	POWER CORD	ADDITIONAL COMMENTS
HX100-048	1810303	100 W/F	1,800 W / 6,140 BTU	48 VDC	38.2" H x 20.9" W x 12.0" D	86 LB.	RAL 7305 GRAY	R134a	MODBUS RTU	6 FT. 3 CORE	500W HEATER INCLUDED

EST. WEIGHT :
N/A

THIRD ANGLE PROJECTION

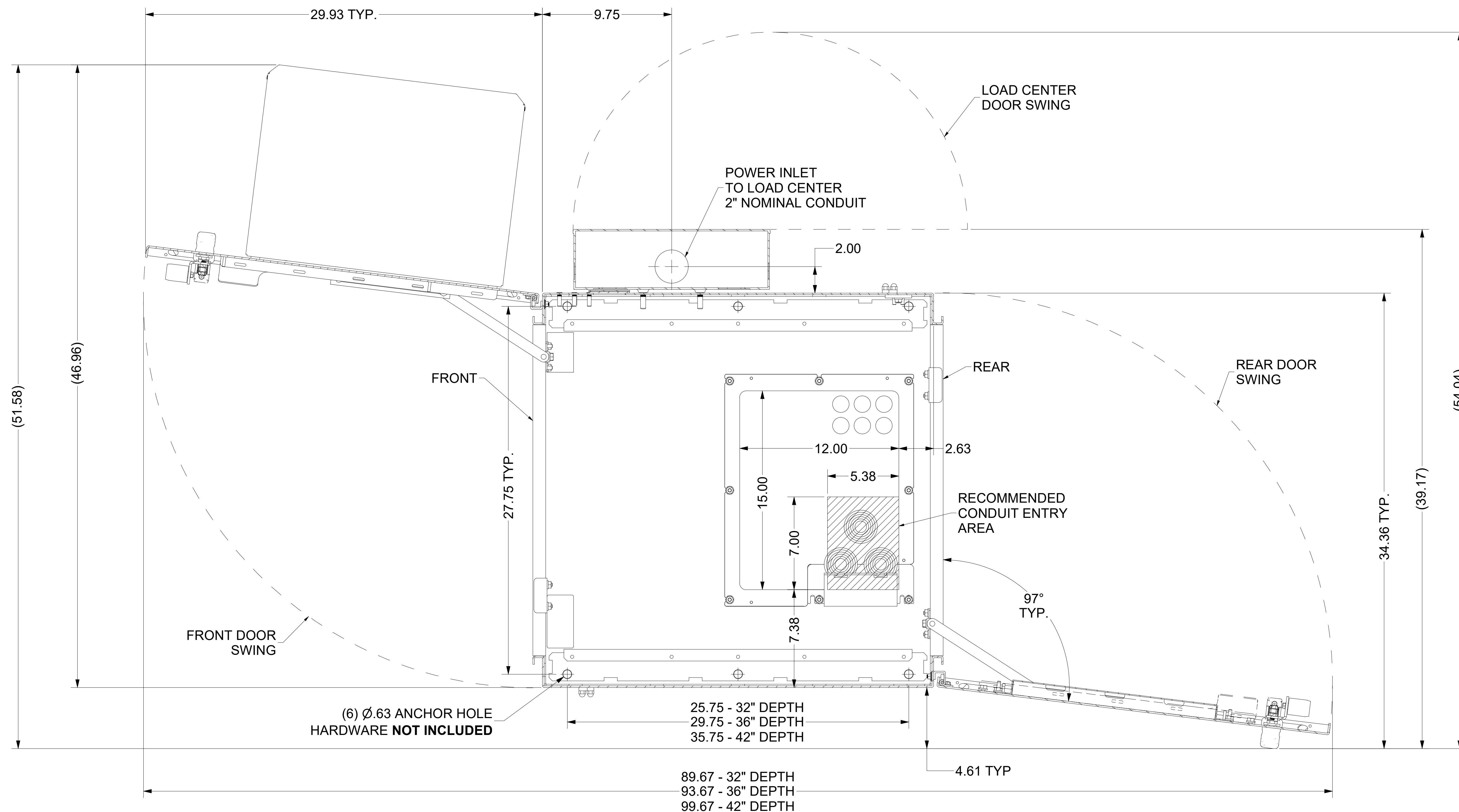
INTERPRET DRAWING PER ASME Y14.5M-1994
DIMENSIONAL LIMITS APPLY AFTER APPLICATION OF FINISH
DRAWING NOT TO SCALE
TOLERANCE UNLESS OTHERWISE NOTED:
ANGULAR +/- .1°
.XXXX +/- .010
.XXX +/- .015
.XX +/- .030
.X FOR REF. ONLY
UNLESS OTHERWISE SPECIFIED ALL DIMENSIONS ARE IN INCHES

NOTICE:

Use of this document is subject to a confidentiality and nondisclosure agreement with Great Lakes Data Racks & Cabinets and may not be reproduced, disclosed or utilized in whole or in part without prior written authorization from Great Lakes.

PART NUMBER: SBxx-24Uxx	TITLE BOX SERIES, SINGLE BAY, TYPE-xx, 24 RMU, 30" WIDE
MATERIAL TYPE: SEE NOTES MATERIAL GAUGE:	GREAT LAKES DATA RACKS & CABINETS P.O. BOX 551 EDINBORO, PA 16412 PHONE (814) 734-7303 FAX (814) 734-3907 E-MAIL info@greatcabinets.com
FINISH: POWDERCOAT	
DRAWN DATE RK 1/31/2024 CHECKED & APP. DATE 9-6-2023	DWG NO: SBxx-24Uxx
REV 4	SHEET: 2 OF 6

CLEARANCE & MOUNTING



**TOP SECTION VIEW
LARGEST HVAC OPTION
WITH LOAD CENTER SHOWN
FOR REFERENCE
GLAND PLATE TRANSPARENT
COMPONENTS HIDDEN FOR CLARITY**

EST. WEIGHT :
N/A

INTERPRET DRAWING PER ASME Y14.5M-1994
DIMENSIONAL LIMITS APPLY
AFTER APPLICATION OF FINISH
DRAWING NOT TO SCALE
TOLERANCE UNLESS OTHERWISE NOTED:
ANGULAR +/- .1°
.XXXX +/- .010
.XXX +/- .015
.XX +/- .030
.X FOR REF. ONLY
UNLESS OTHERWISE SPECIFIED
ALL DIMENSIONS ARE IN INCHES

NOTICE:

Use of this document is subject to a confidentiality and nondisclosure agreement with Great Lakes Data Racks & Cabinets and may not be reproduced, disclosed or utilized in whole or in part without prior written authorization from Great Lakes.

PART NUMBER:
SBxx-24Uxx
MATERIAL TYPE:
SEE NOTES
MATERIAL GAUGE:
FINISH:
POWDERCOAT
DRAWN: JWW DATE: 11/15/2023
CHECKED & APP.: DATE: 9-6-2023

TITLE: BOX SERIES, SINGLE BAY, TYPE-xx, 24 RMU, 30" WIDE
GREAT LAKES DATA RACKS & CABINETS
P.O. BOX 551 EDINBORO, PA 16412
PHONE (814) 734-7303 FAX (814) 734-3907
E-MAIL info@greatcabinets.com
DWG NO: **SBxx-24Uxx** REV: **4** SHEET: 3 OF 6

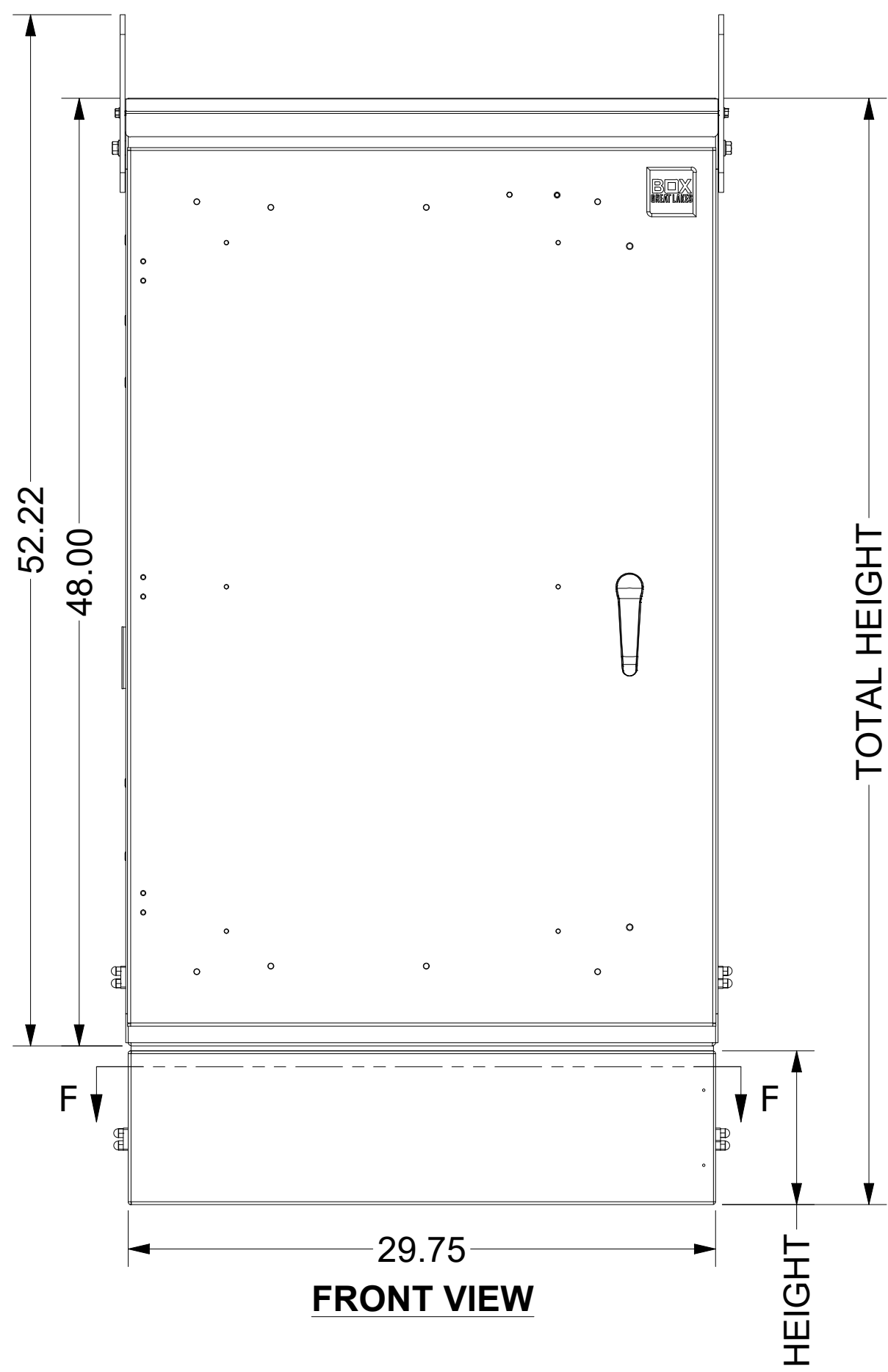
PLINTH / RISER OPTIONS

PART NUMBER	DESCRIPTION	HEIGHT	TOTAL HEIGHT	CONSTRUCTION
BXSBALR04xx*	4" HIGH RISER	3.80" + GASKET	51.93	FULLY WELDED, .125" THICK ALUMINUM
BXSBALR12xx*	12" HIGH RISER	11.80" + GASKET	59.93	FULLY WELDED, .125" THICK ALUMINUM
BXSBABP16xx*	16" HIGH BATTERY PLINTH	15.80" + GASKET	63.93	FULLY WELDED, .125" THICK ALUMINUM, WITH ALUMINUM BATTERY TRAY AND ACCESS DOORS

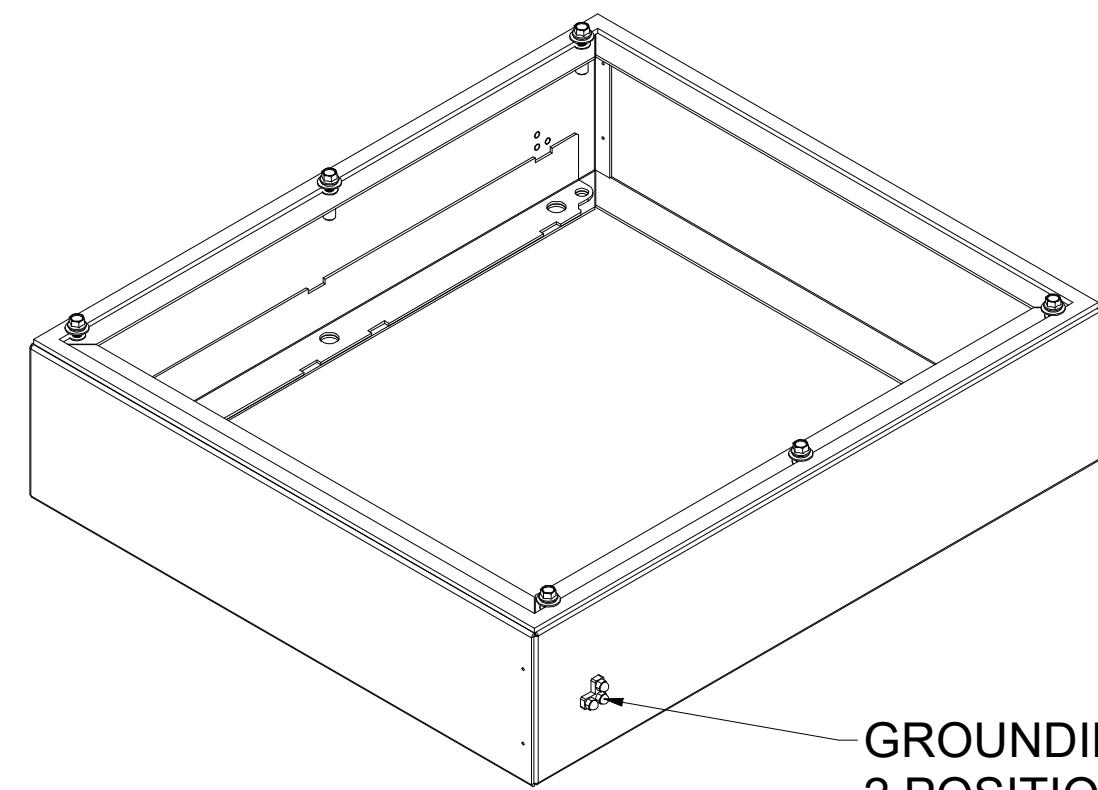
xx* TO BE CABINET DEPTH
PART NUMBERS ONLY APPLIES IF ORDERED SEPERATELY FROM CABINET.

NOTES BELOW APPLY TO BOTH RISER AND PLINTH OPTIONS

- GROUNDING: 2 POSITIONS, 5/8" SPACING.
- (6) 3/8-16 BOLTS FOR FASTENING TO ENCLOSURE AND GASKET INCLUDED.
- SHIPPED WITHIN OR ON TOP OF CABINET AS STANDARD.
- MOUNTING DETAILS
- **INSTALLATION TO BE SPECIFIED UPON RECEIPT OF ORDER.**



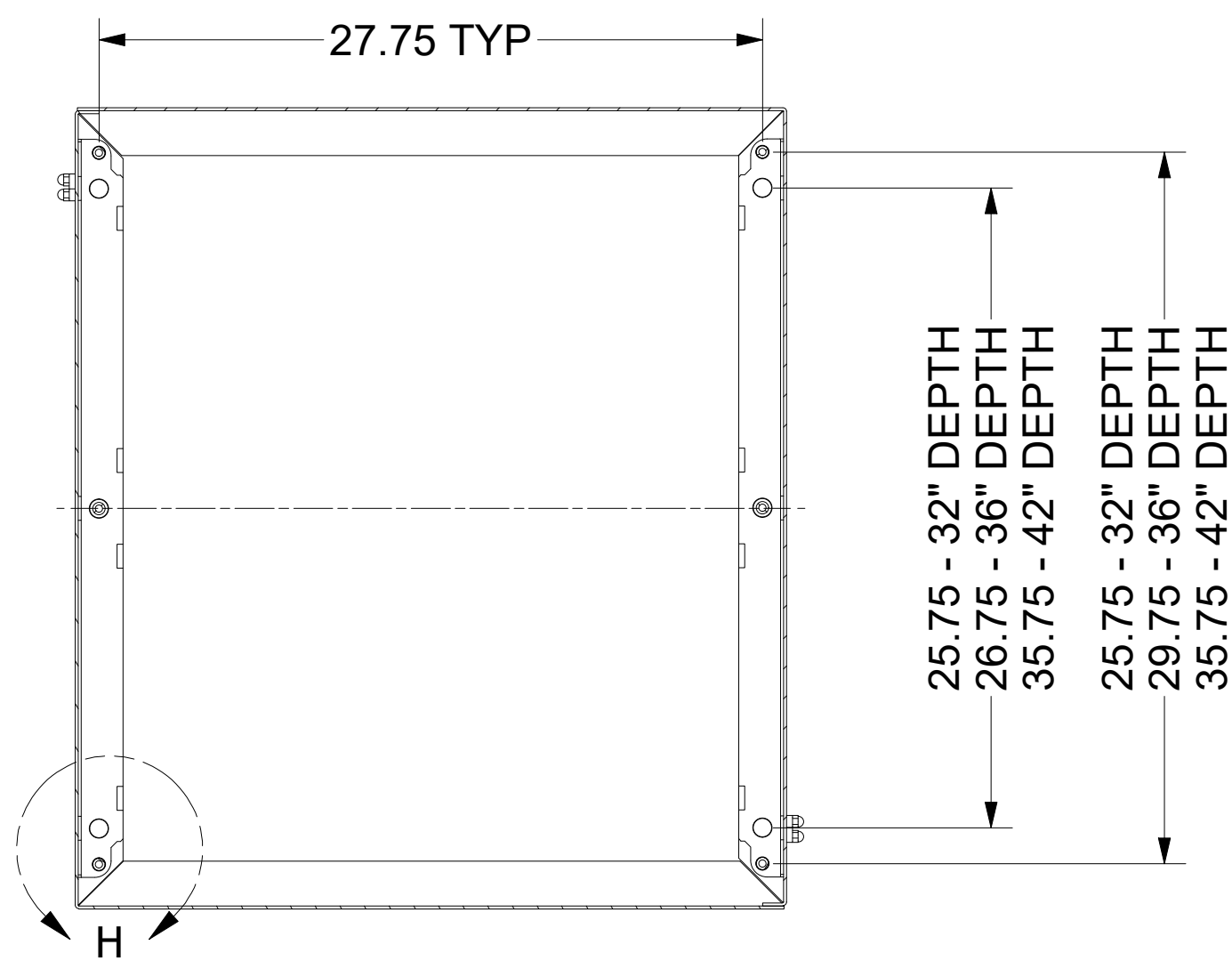
FRONT VIEW



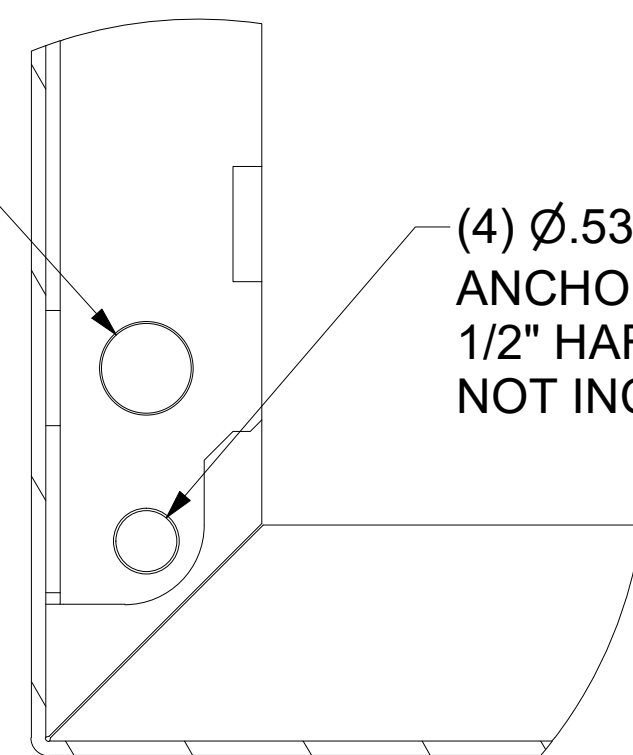
4" AND 12" RISER

GROUNDING
2 POSITIONS
5/8" SPACING
THD 1/4 - 20 X 3/4

32" DEEP CABINETS (SEE NOTE) - 6.00
36" DEEP CABINETS - 5.38
42" DEEP CABINETS - 12.00

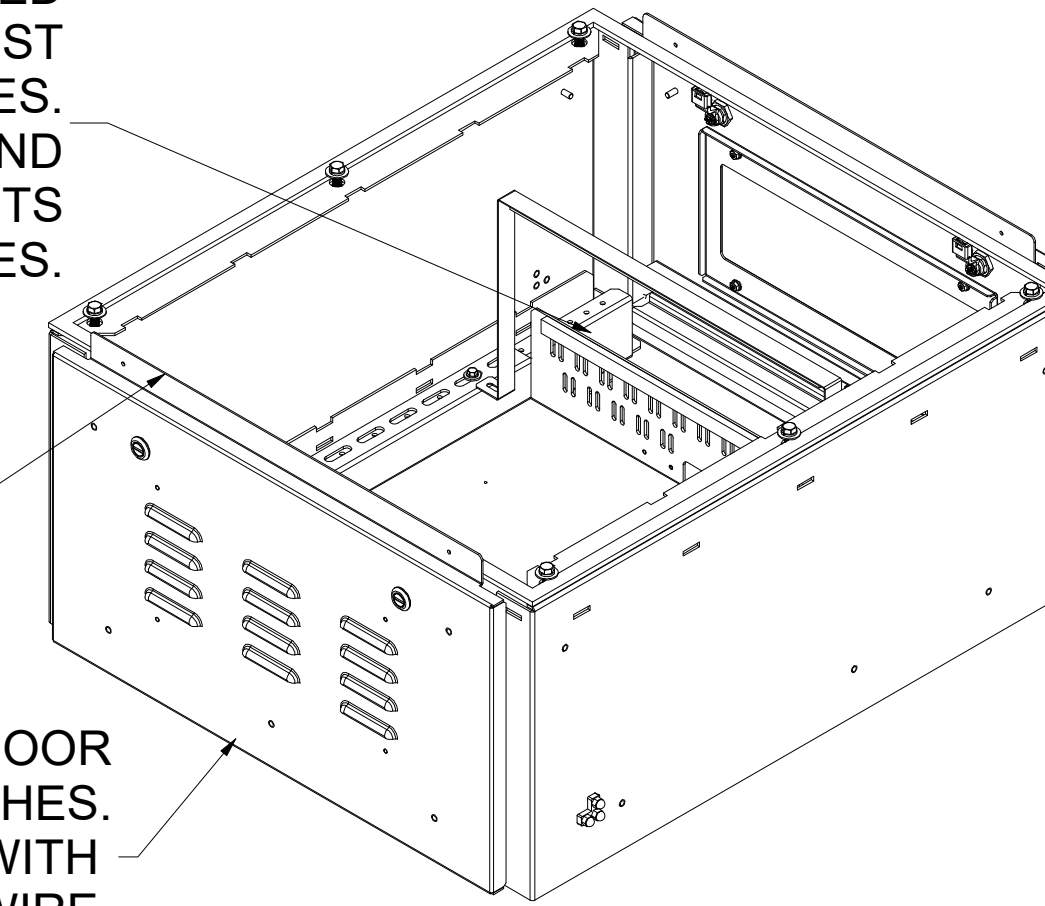


SECTION F-F
MOUNTING DETAILS



DETAIL H
MOUNTING DETAILS

BATTERY TRAY DESIGNED TO FIT (4) STANDARD FRONT POST TELECOM BATTERIES. TRAY INCLUDES FRONT AND TOP SECURING BRACKETS FOR BATTERIES.

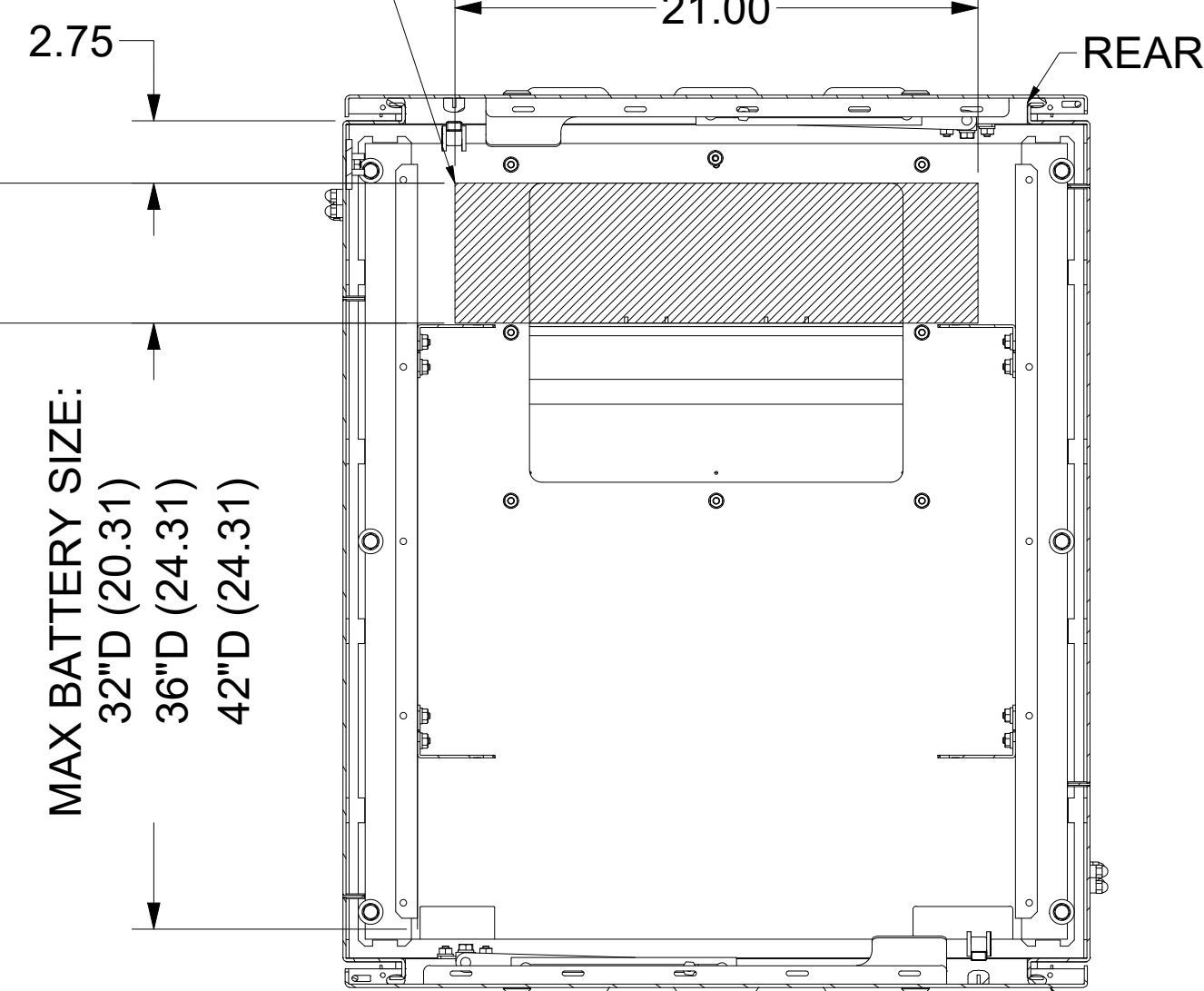


FLANGE SECURES ACCESS DOOR WHEN MAIN CABINET DOOR IS CLOSED

VENTED AND SCREENED ACCESS DOOR W/ (2) QUARTER TURN LATCHES. BONDED TO FRAME WITH GROUND WIRE. TYP. FRONT AND REAR

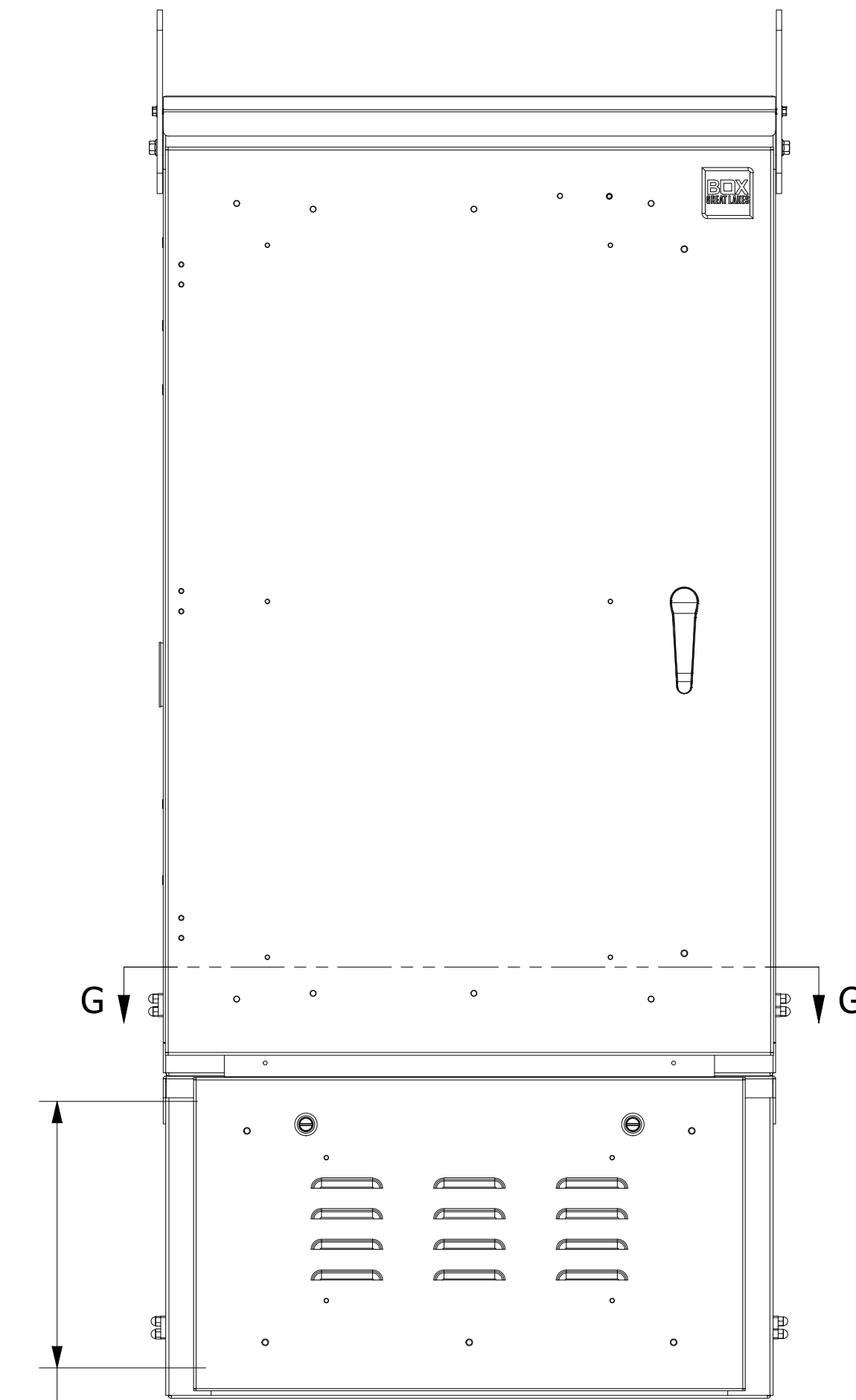
16" BATTERY PLINTH
TOP PANEL HIDDEN FOR CLARITY

PASS THRU CLEARANCE AREA FROM GRADE INTO BATTERY PLINTH



SECTION G-G
GROMMETED GLAND PLATE
HIDDEN FOR CLARITY

BATTERY OPENING,
HEIGHT 13.05



FRONT VIEW
(16" BATTERY PLINTH SHOWN)

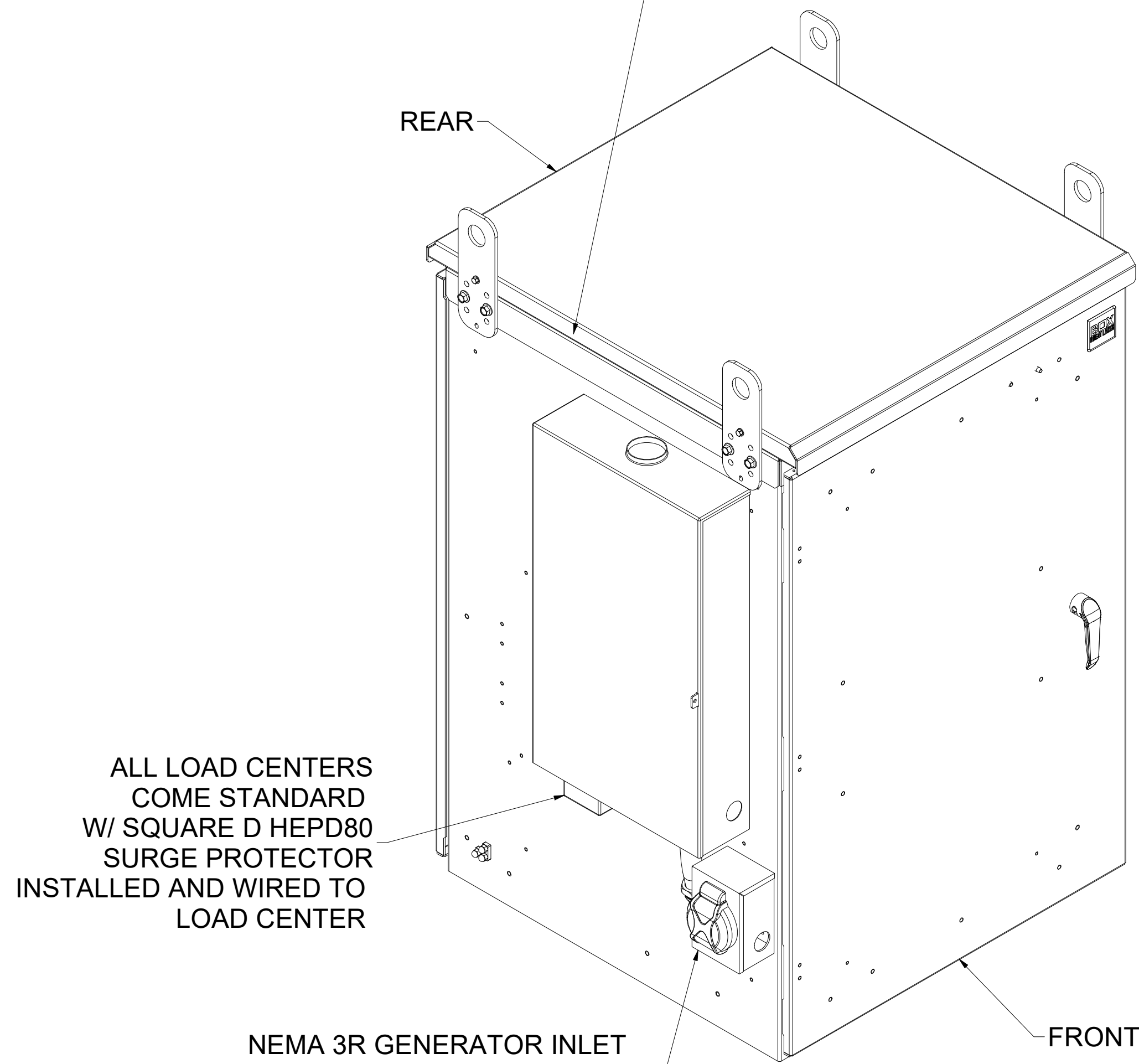
NOTE:
32" DEEP BATTERY PLINTH IS FOR USE WITH 100 AH AND 60 AH BATTERIES ONLY

INTERPRET DRAWING PER ASME Y14.5M-1994 DIMENSIONAL LIMITS APPLY AFTER APPLICATION OF FINISH DRAWING NOT TO SCALE TOLERANCE UNLESS OTHERWISE NOTED: ANGULAR +/- 1' .XXXX +/- .010 .XXX +/- .015 .XX +/- .030 .X FOR REF. ONLY	NOTICE: Use of this document is subject to a confidentiality and nondisclosure agreement with Great Lakes Data Racks & Cabinets and may not be reproduced, disclosed or utilized in whole or in part without prior written authorization from Great Lakes.	PART NUMBER: SBxx-24Uxx	TITLE BOX SERIES, SINGLE BAY, TYPE-xx, 24 RMU, 30" WIDE
		MATERIAL TYPE: SEE NOTES MATERIAL GAUGE:	GREAT LAKES DATA RACKS & CABINETS P.O. BOX 551 EDINBORO, PA 16412 PHONE (814) 734-7303 FAX (814) 734-3907 E-MAIL info@greatcabinets.com
EST. WEIGHT: N/A	THIRD ANGLE PROJECTION	DRAWN DATE: 1/31/2024 RKC CHECKED & APP. DATE: 9-6-2023	DWG NO: SBxx-24Uxx
		REV: 4	SHEET: 4 OF 6

ELECTRICAL OPTIONS

SQUARE D NEMA 3R
LOAD CENTER'S AVAILABLE:
QO112M100PRB - 100 AMP MAIN, 12 SPACE
QO116M100PRB - 100 AMP MAIN, 16 SPACE
QO120M200PRB - 200 AMP MAIN, 20 SPACE

**NOTE: IF CONFIGURED AT TIME OF ORDER,
INTERNAL CABINET RECEPTACLE/S AND
115V/230V HVAC OPTIONS WILL BE WIRED
DIRECTLY TO APPROPRIATE BREAKER/S
IN LOAD CENTER**

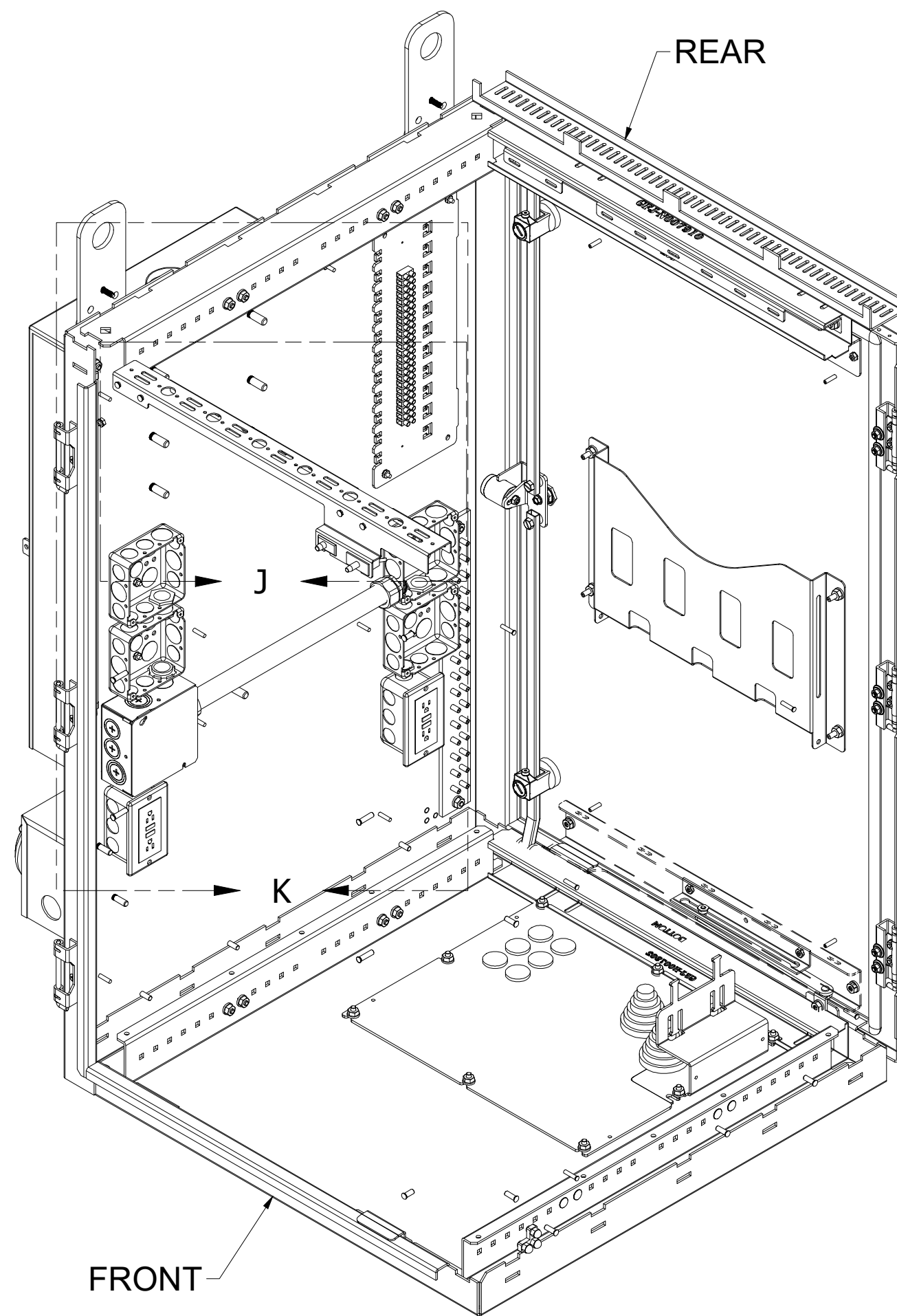


ALL LOAD CENTERS
COME STANDARD
W/ SQUARE D HEPD80
SURGE PROTECTOR
INSTALLED AND WIRED TO
LOAD CENTER

NEMA 3R GENERATOR INLET
BOXES AVAILABLE:
GPIB30A - 30 AMP, L14-30P, 125/250 V, 7,500 W
GPIB50A - 50 AMP, SS2-50P, 125/250 V, 12,500 W

**NOTE: IF CONFIGURED AT TIME OF ORDER,
GENERATOR PLUG WILL BE DIRECTLY WIRED
TO APPROPRIATE BREAKER IN LOAD CENTER
WITH INTERLOK KIT**

FRONT LEFT ISO VIEW



**FRONT RIGHT ISO VIEW
COMPONENTS
HIDDEN FOR CLARITY**

ALARM PANEL W/
(2) 12 POSITION
TERMINAL BLOCKS
W/ LABEL AREA.
22-10 AWG RANGE

**OPTIONAL ELECTRICAL LOCATIONS
BOXES AND RECEPTACLES
CAN BE INCLUDED AND WIRED
IF CONFIGURED AT TIME OF ORDER**

LOAD CENTER PASS THROUGH
BOX AND COVER. INCLUDED WHEN
LOAD CENTER OPTION CONFIGURED
AT TIME OF ORDER

STANDARD 15 GFCI DUPLEX
INCLUDED W/ ALL CABINETS.
WIRED TO 15 AMP BREAKER
IF LOAD CENTER IS
CONFIGURED
AT TIME OF ORDER

FRONT

REAR

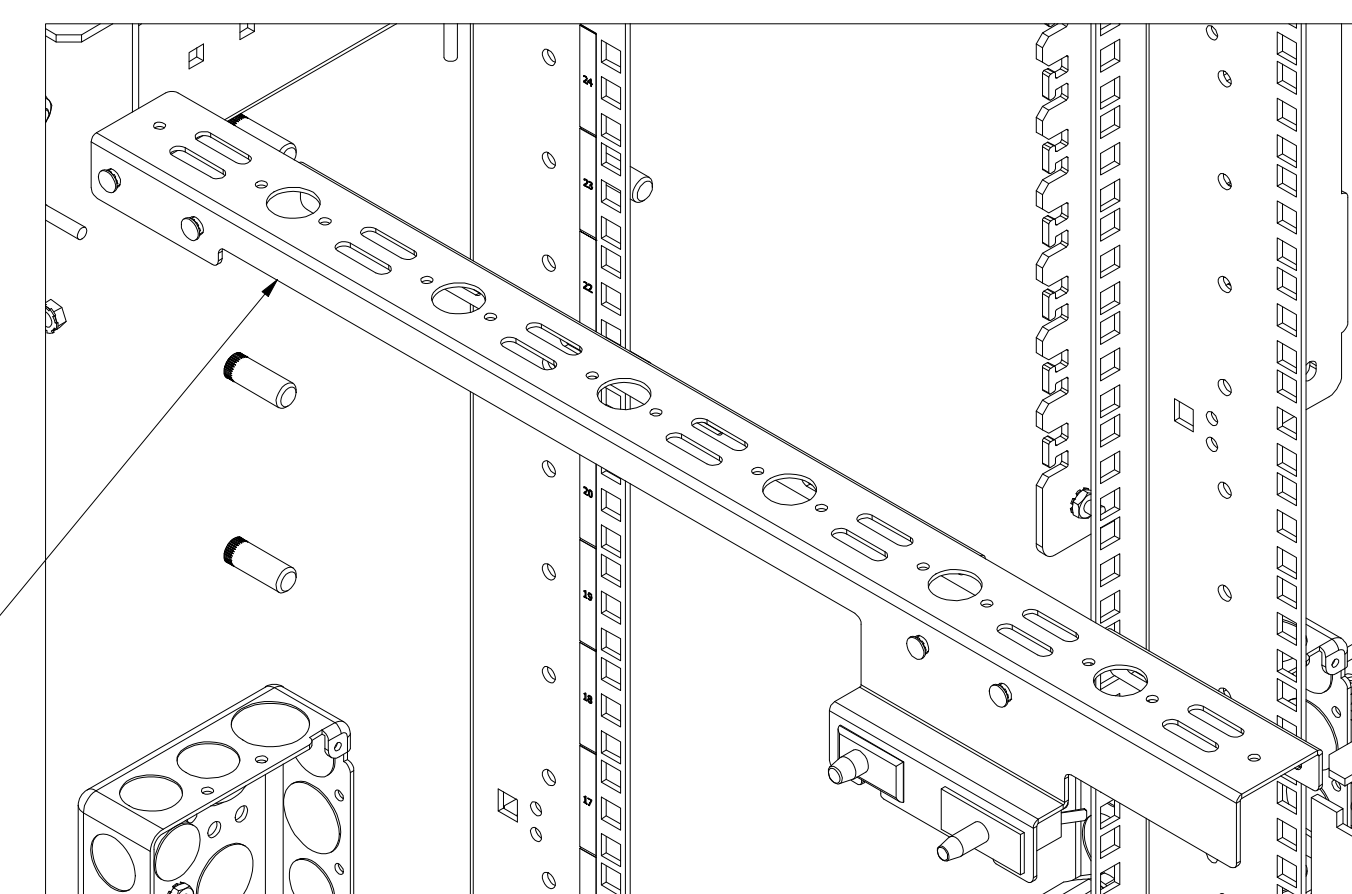
DETAIL K

BUS BAR: 1/4"-20
THDS. 16 POSITION,
5/8" SPACING

LIGHT MOUNTING/LACING BRACKET
INSTALLED IN ALL CABINETS
ABOVE FRONT AND REAR DOOR.

OPTIONAL SINGLE LIGHT: **BXLED-515P**

OPTIONAL SINGLE LIGHT AND DAISY
CHAIN CORD: **BXLED-LINK**
(TO BE ORDERED IN TANDEM
WITH BXLED-515P FOR FRONT
AND REAR LIGHTING)



DETAIL J

**NOTE: DUE TO VOLUME AND OTHER CONSTRAINTS WITHIN NFPA 70, NATIONAL ELECTRIC CODE, LIMITATIONS APPLY TO RECEPTACLE
LOCATIONS AND OTHER ELECTRONIC DEPLOYMENTS. PLEASE CONSULT A CERTIFIED ELECTRICIAN TO MEET LOCAL STANDARDS.**

**NOTE FOR CABINETS CONFIGURED WITH AIR CONDITIONER: INSULATION IS DESIGNED WITH BREAK OFF SECTIONS TO BE UTILIZED
IF ADDITIONAL ELECTRICAL LOCATIONS ARE TO BE USED, SO THAT INSULATION WILL NOT HAVE TO BE MANUALLY CUT**

INTERPRET DRAWING PER ASME Y14.5M-1994
DIMENSIONAL LIMITS APPLY AFTER APPLICATION OF FINISH
DRAWING NOT TO SCALE
TOLERANCE UNLESS OTHERWISE NOTED:
ANGULAR +/- .1°
.XXXX +/- .010
.XXX +/- .015
.XX +/- .030
.X FOR REF. ONLY
UNLESS OTHERWISE SPECIFIED ALL DIMENSIONS ARE IN INCHES

NOTICE:

Use of this document is subject to a confidentiality and nondisclosure agreement with Great Lakes Data Racks & Cabinets and may not be reproduced, disclosed or utilized in whole or in part without prior written authorization from Great Lakes.

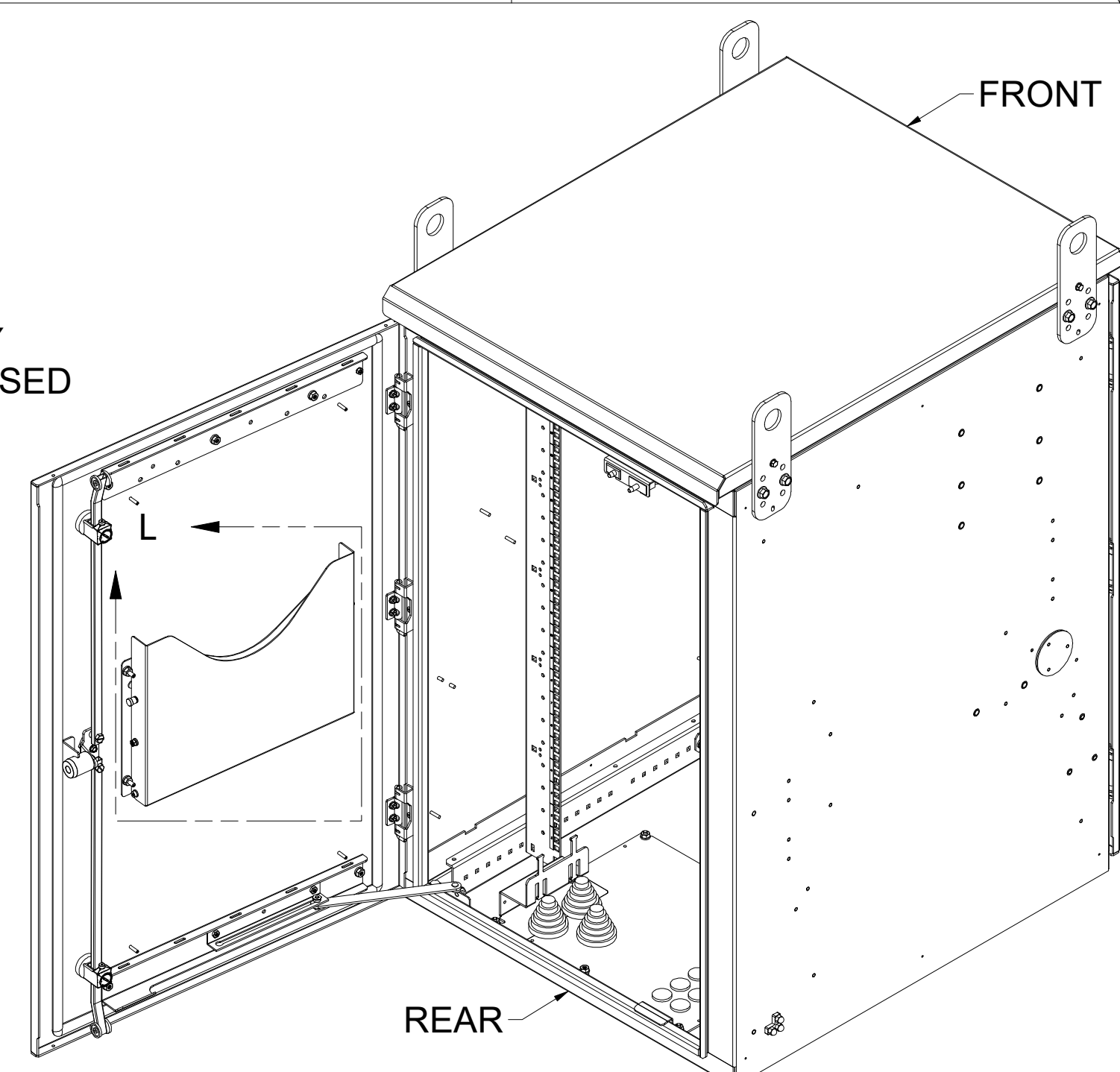
PART NUMBER: SBxx-24Uxx
MATERIAL TYPE: SEE NOTES
MATERIAL GAUGE:
FINISH: POWDERCOAT
DRAWN JWV
CHECKED & APP. DATE 9-6-2023

TITLE BOX SERIES, SINGLE BAY, TYPE-xx, 24 RMU, 30" WIDE
GREAT LAKES DATA RACKS & CABINETS P.O. BOX 551 EDINBORO, PA 16412 PHONE (814) 734-7303 FAX (814) 734-3907 E-MAIL info@greatcabinets.com
DWG NO: SBxx-24Uxx
REV 4
SHEET: 5 OF 6

EST. WEIGHT: N/A
THIRD ANGLE PROJECTION

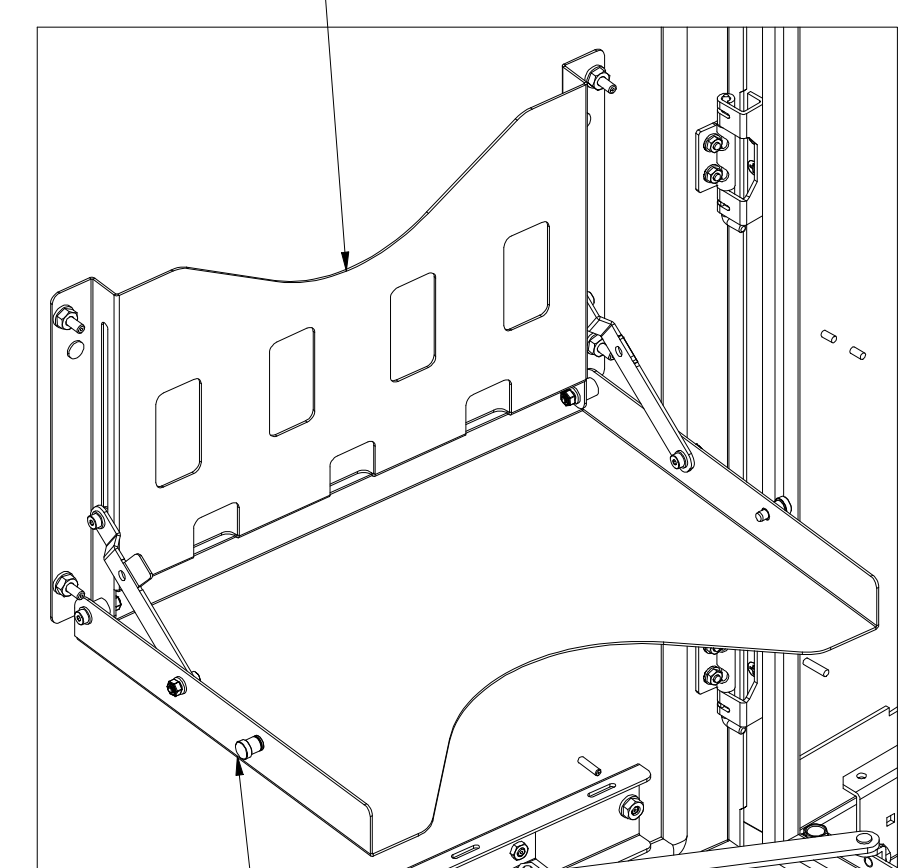
STD DOCUMENT
HOLDER FITS 8.5" X 11"
INCLUDED WITH ALL CABINETS

DETAIL L
LAPTOP TRAY
ACCESSORY CLOSED



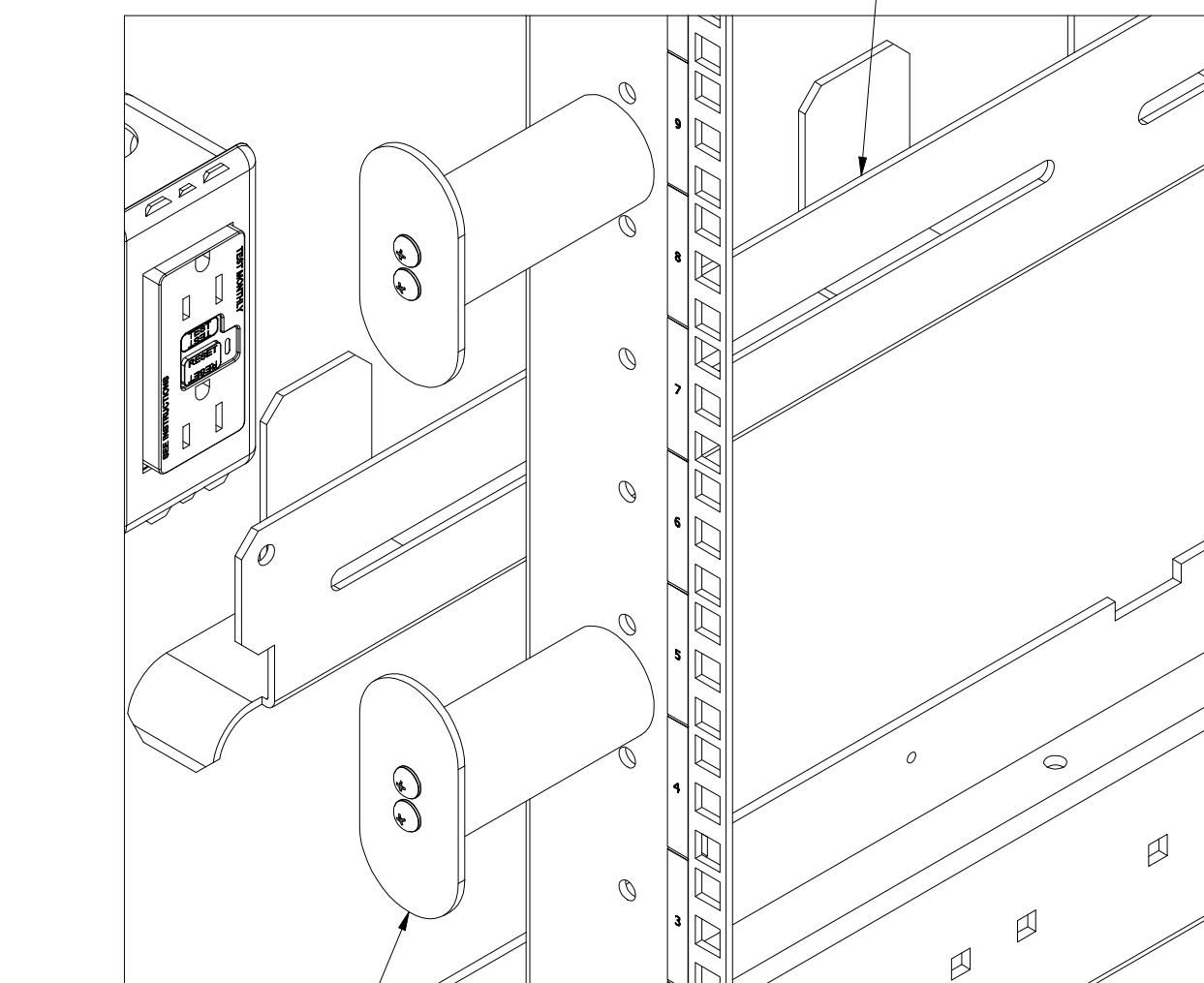
REAR ISO VIEW
STANDARD DOCUMENT HOLDER AND LAPTOP TRAY ACCESSORY
#BX-LT8511 : LAPTOP TRAY ACCESSORY
SOLD SEPERATLY

DETAIL L
LAPTOP TRAY
ACCESSORY OPENED



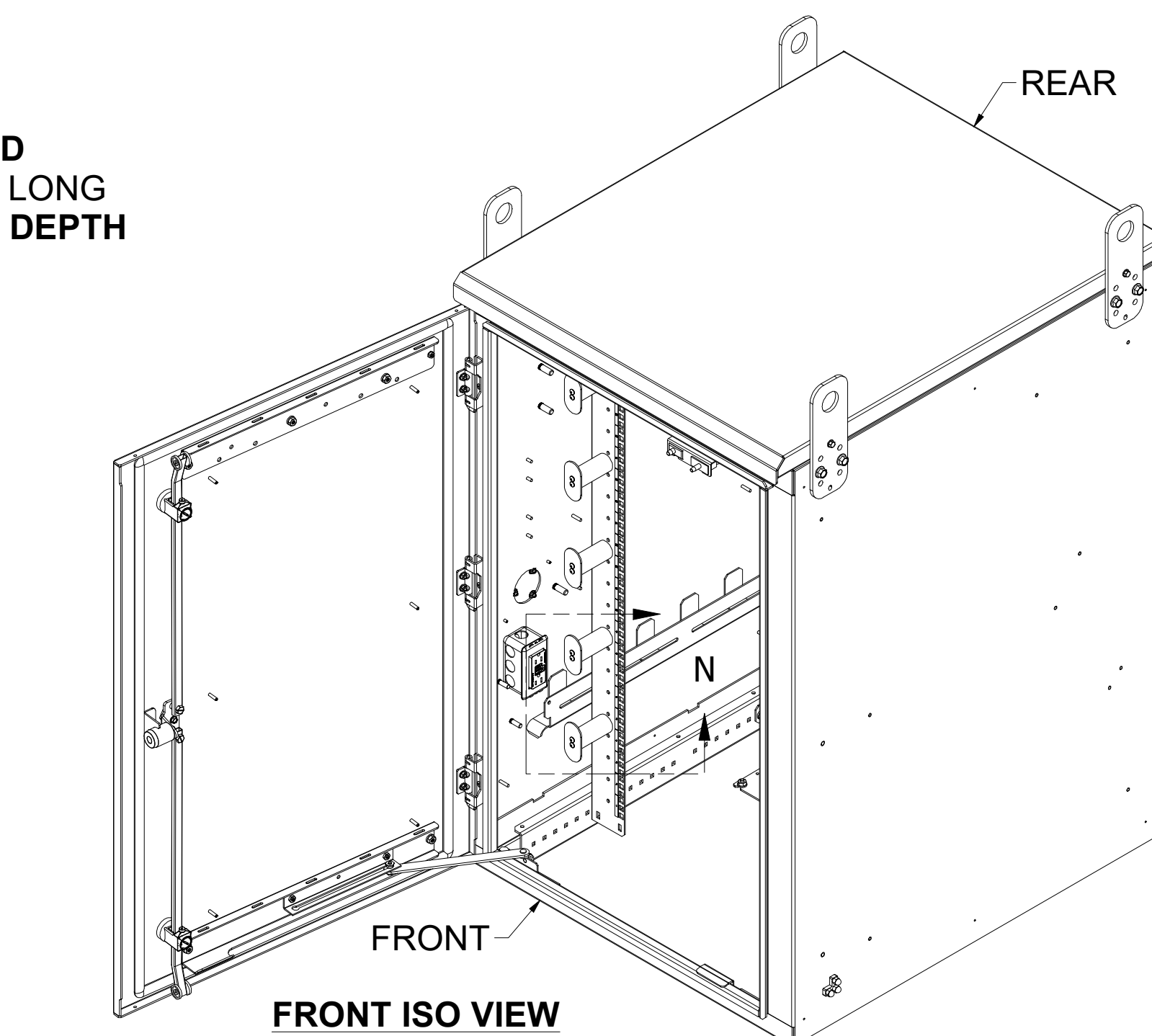
LAPTOP TRAY ACCESSORY
#BX-LT8511
FITS 15" WIDE LAPTOP
AND 11.5" WORKING DEPTH
ATTACHES TO STD DOCUMENT HOLDER

CABLE TROUGH #BXCMT-xxD
1.63" WIDE X 2.5" HIGH X 25" LONG
LENGTH VARIES BASED ON DEPTH



FIBER SPOOL
#BXFS-3K10
3" DEEP
1.31" DIA.

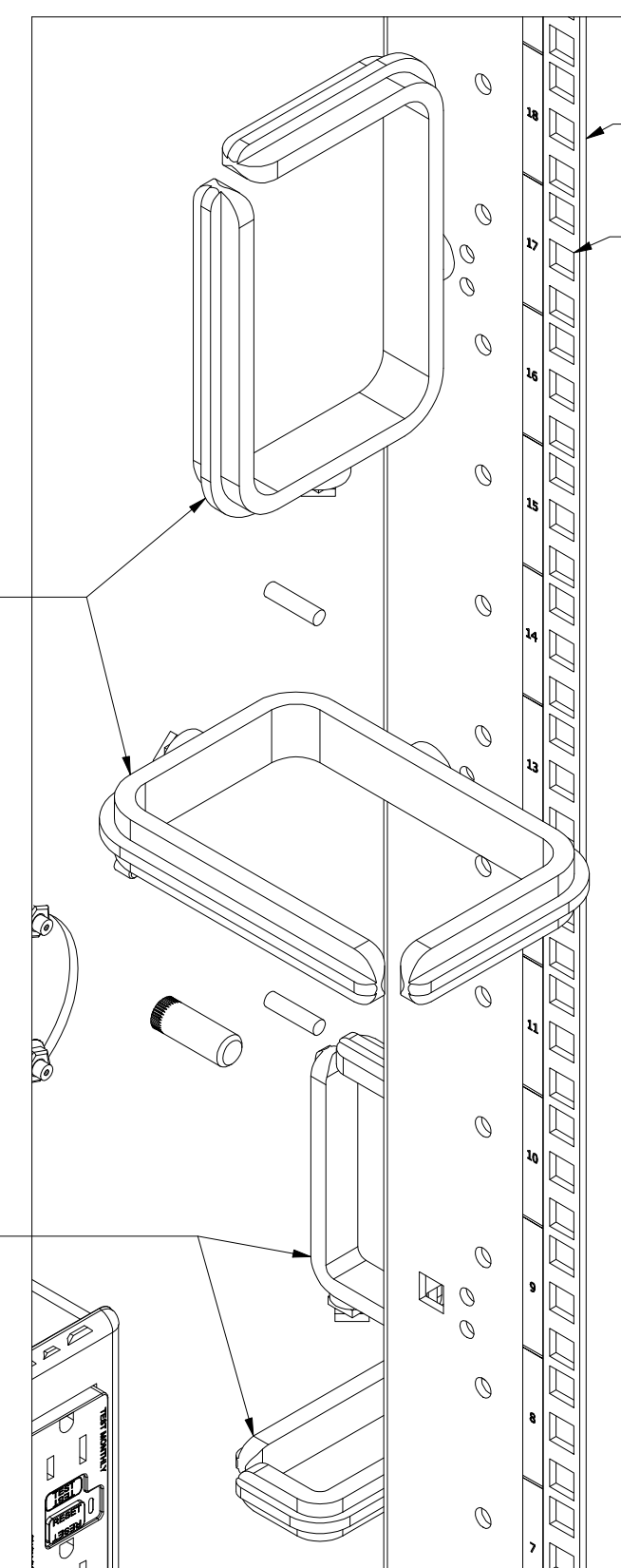
DETAIL N
36" DEPTH SHOWN



FRONT ISO VIEW
CABLE MANAGEMENT
#BXFS-3K10: FIBER SPOOL, 3" DEEP, KIT OF 10
#BXCMT-xxD : CABLE MGT. TROUGH, QTY-1
BOTH SOLD SEPERATELY

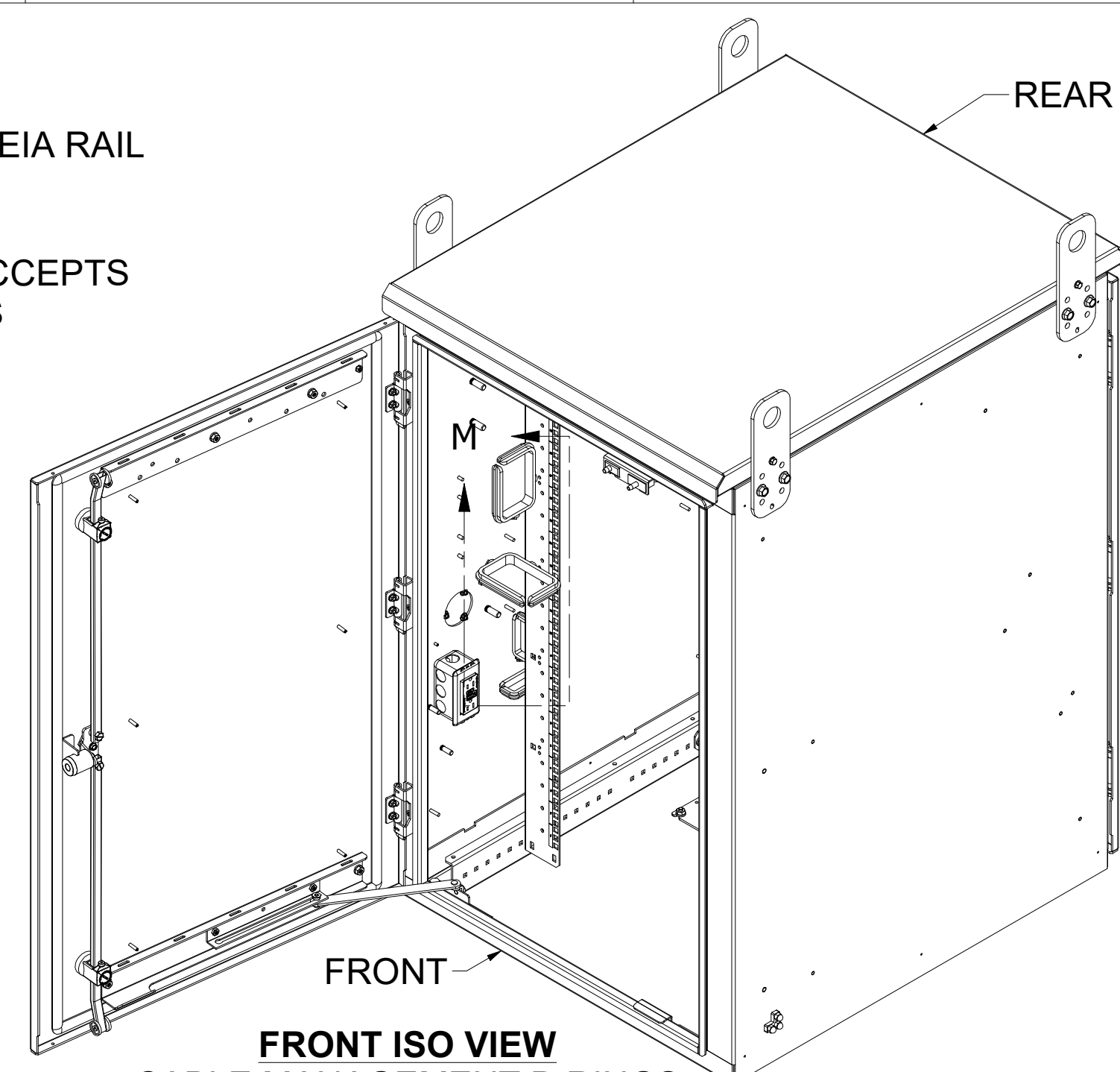
#CM-26
3.5" X 5"
CAN ONLY BE USED
ON FRONT OF RAIL

#CM-25
1.5" X 3.5"
CAN BE USED ON
FRONT AND SIDE
OF RAIL



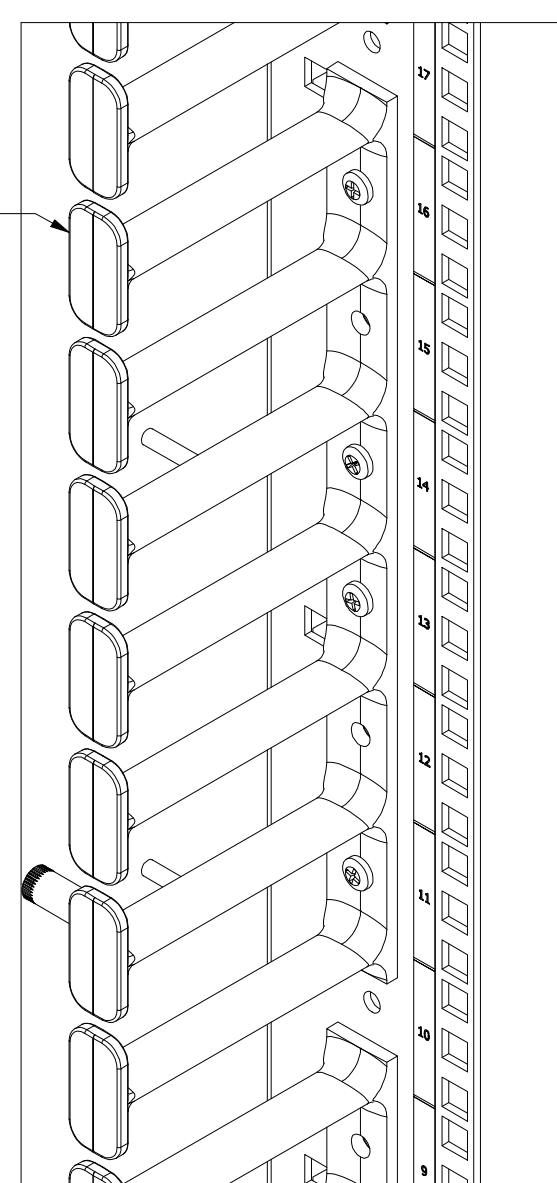
DETAIL M
19" EIA SHOWN

19" / 23" EIA RAIL
3/8" SQ
ALSO ACCEPTS
D RINGS



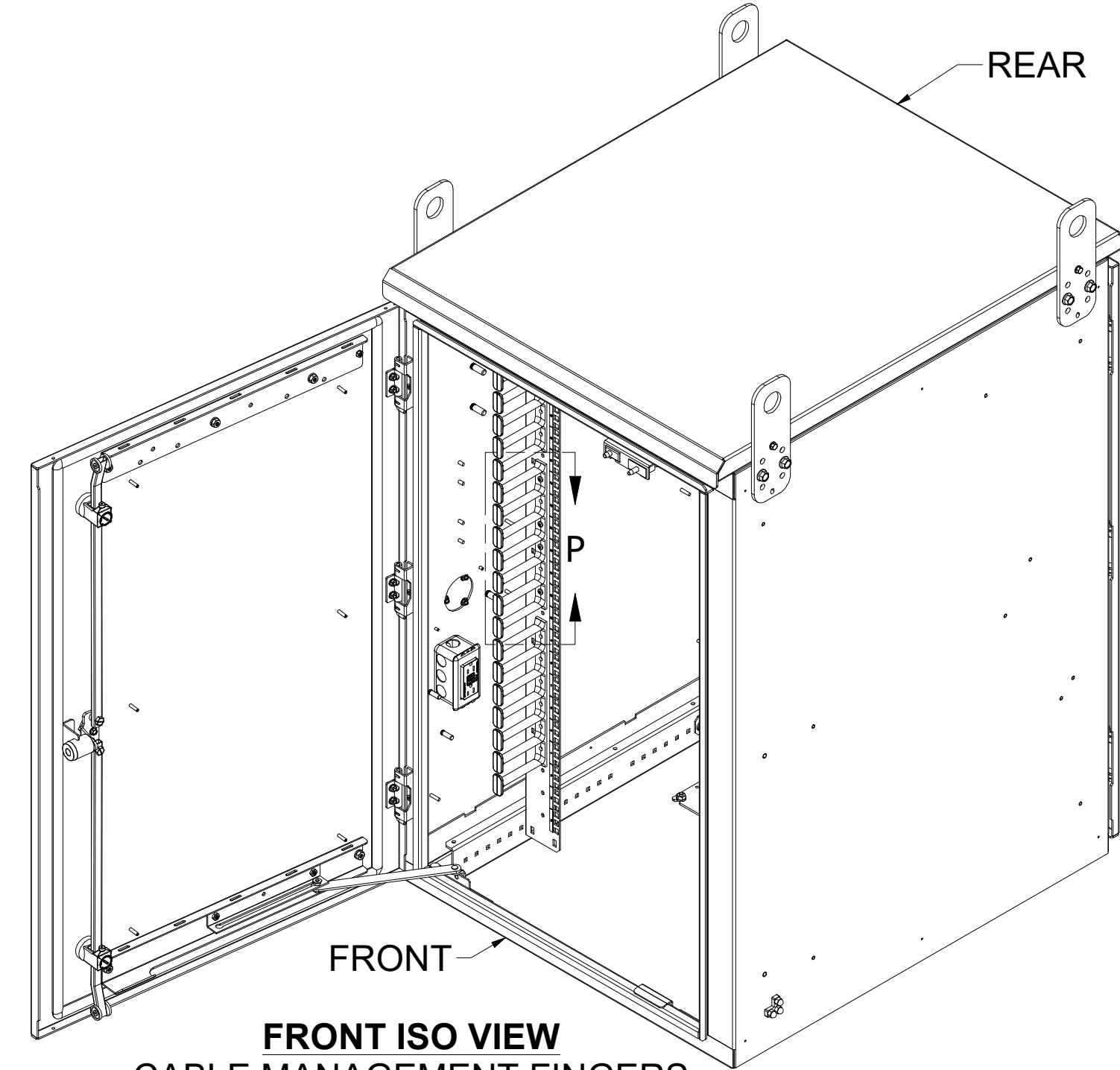
FRONT ISO VIEW
CABLE MANAGEMENT D RINGS
#CM-25 : KIT OF 10, #CM-26 : KIT OF 10
BOTH SOLD SEPERATELY
ONLY APPLICABLE WITH STD 3/8" SQ HOLES IN RAIL

#CM-47
4"D X 7 RMU
OR
#CM-77
7"D X 7 RMU



DETAIL P
CM-47 SHOWN

FRONT ISO VIEW
CABLE MANAGEMENT FINGERS
#ESC-K6 : KIT OF 6, 4" D x 7 RMU FINGERS, FOR 24 RMU
#ESC-K6-7 : KIT OF 6, 7" D x 7 RMU FINGERS, FOR 24 RMU
SOLD SEPERATELY



INTERPRET DRAWING PER ASME Y14.5M-1994
DIMENSIONAL LIMITS APPLY
AFTER APPLICATION OF FINISH
DRAWING NOT TO SCALE
TOLERANCE UNLESS OTHERWISE NOTED:
ANGULAR +/- 1°
.XXXX +/- .010
.XXX +/- .015
.XX +/- .030
.X FOR REF. ONLY
UNLESS OTHERWISE SPECIFIED
ALL DIMENSIONS ARE IN INCHES

NOTICE:

Use of this document is subject to a confidentiality and nondisclosure agreement with Great Lakes Data Racks & Cabinets and may not be reproduced, disclosed or utilized in whole or in part without prior written authorization from Great Lakes.

PART NUMBER: SBxx-24Uxx	TITLE BOX SERIES, SINGLE BAY, TYPE-xx, 24 RMU, 30" WIDE
MATERIAL TYPE: SEE NOTES	GREAT LAKES DATA RACKS & CABINETS P.O. BOX 551 EDINBORO, PA 16412 PHONE (814) 734-7303 FAX (814) 734-3907 E-MAIL info@greatcabinets.com
MATERIAL GAUGE: POWDERCOAT	
DRAWN DATE RK 1/31/2024	DWG NO: SBxx-24Uxx
CHECKED & APP. DATE 9-6-2023	REV 4
SHEET: 6 OF 6	

EST. WEIGHT :
N/A
THIRD ANGLE
PROJECTION