

# StarNET ET 16 Channel DVR

Up to 24TB Max Storage DVR, 1080p/30ips Recording All Channels H.265/H.264



The CR1625ET Digital Video Recorder provides 16 channels of HD real-time recording and live display over existing coax cable with no need to rewire. The ET 25 Series DVRs are designed to “plug-and-play” right out of the box and will accept multiple HD over coax standards including HD-TVI, AHD, and SD analog CVBS signals. The simplicity of this system makes the ET 25 Series recorder an ideal choice for retail, banking and small business applications.

The ET 25 Series delivers a complete network surveillance solution that meets the demands of user applications from a single location to more complex multi-site locations.

The ET 25 Series, utilizing StarNET VMS can support up to 1,024 devices with up to 16 cameras per device or 16,384 cameras. As with all Costar recording platforms, the ET 25 Series system maintains its compatibility with StarNET and StarNET Pro.



**StarNET ET**  
Pre-Installed



**Linux**  
Embedded OS



**1080p/30ips**  
Recording



**Up To 5MP**  
Cameras



**Gigabit**  
Client NIC



**On-Board Storage**  
Up to 24TB



**4 Drive Capacity**

## Series Features

- 16 Channel 1080p/30ips real-time recording
- H.265, H.264 compression
- Up to 5MP resolution
- x2 ~ x7 Digital Zoom
- Two-way audio communication
- Video Motion Detection (VMD)
- Video Obscuration Detection (VOD)
- Two front USB 2.0 ports
- One rear USB 3.0 port
- USB mouse operation
- Text interface for ATM applications
- SATA x4 (Up to 6TB capacity for each disk)
- eSATA port for external storage expansion
- Remote Access System (StarNET) Software Supports Static-IP, ADSL, DHCP, Dynamic-IP
- Remote access via free smart phone app compatible with Apple® and Android™ devices
- NDAA Compliant

## Recorder Specifications

Model		CR1625ET-xxTB
Recording	Max Channels	16 at 1080p/30fps H.264/H.265
	Recording Resolutions	Up to 5MP
	Max Recording Rate	480fps at 1080p
	Image Compression	H.264/H.265
Connections	Video Outputs	1 x HDMI 1 x VGA 1 x BNC (Spot)
	Maximum Display Resolution	4K (HDMI) / 1920 x 1080 (VGA) / 704x480 NTSC, 704x576 PAL (BNC)
	Client Network	1 x Gigabit RJ-45 Ethernet Port
	Video Inputs	16 x Composite Inputs: BNC, 1 Vp-p, Auto-Terminating, 75Ω
	Audio	4 x RCA Audio Input 1 x RCA Audio Output
	eSATA	1 x eSATA Port
	Alarm Sensor Inputs	16 TTL, NC/NO Programmable, 2.4V (NC) or 0.3V (NO) Threshold, 5VDC
	Alarm Relay Output	4 x Relay Output, 2A@125VAC, 1A@30VDC (NO)
	Alarm Reset Input	1 x Alarm Reset Input
	Serial Ports	1 x RS-232 Terminal Block 1 x RS-485 Terminal Block
	USB Ports	<b>Front:</b> 2 x USB 2.0 <b>Rear:</b> 1 x USB 3.0
Software	Operating System	Embedded Linux
	Remote Operation	StarNET Pro / StarNET / StarNET + Mobile App
	User Management	DVR / StarNET Client
	Recording Mode	Time Lapse / Event / Pre-Event / Panic / Schedule
	Playback Search	Multi-channel playback / Time Lapse / Event Log / Text-In
	Clip Backup	USB Clip Copy

### General

Optical USB Mouse	Included
Operating Temperature	Max temperature: 104°F (40°C)
OS Drive Configuration	Dedicated Solid State Drive
Maximum Storage	24TB
Rack Mount	2U Rack Mountable
Warranty	3 Years

### Electrical

Input Voltage	100-240VAC, 0.5-1A
Consumption	80W*

### Environmental

Operating Temperature	32°F (0°C) to 104°F (40°C)
Humidity	0% to 90% (non-condensing)

### Compliance

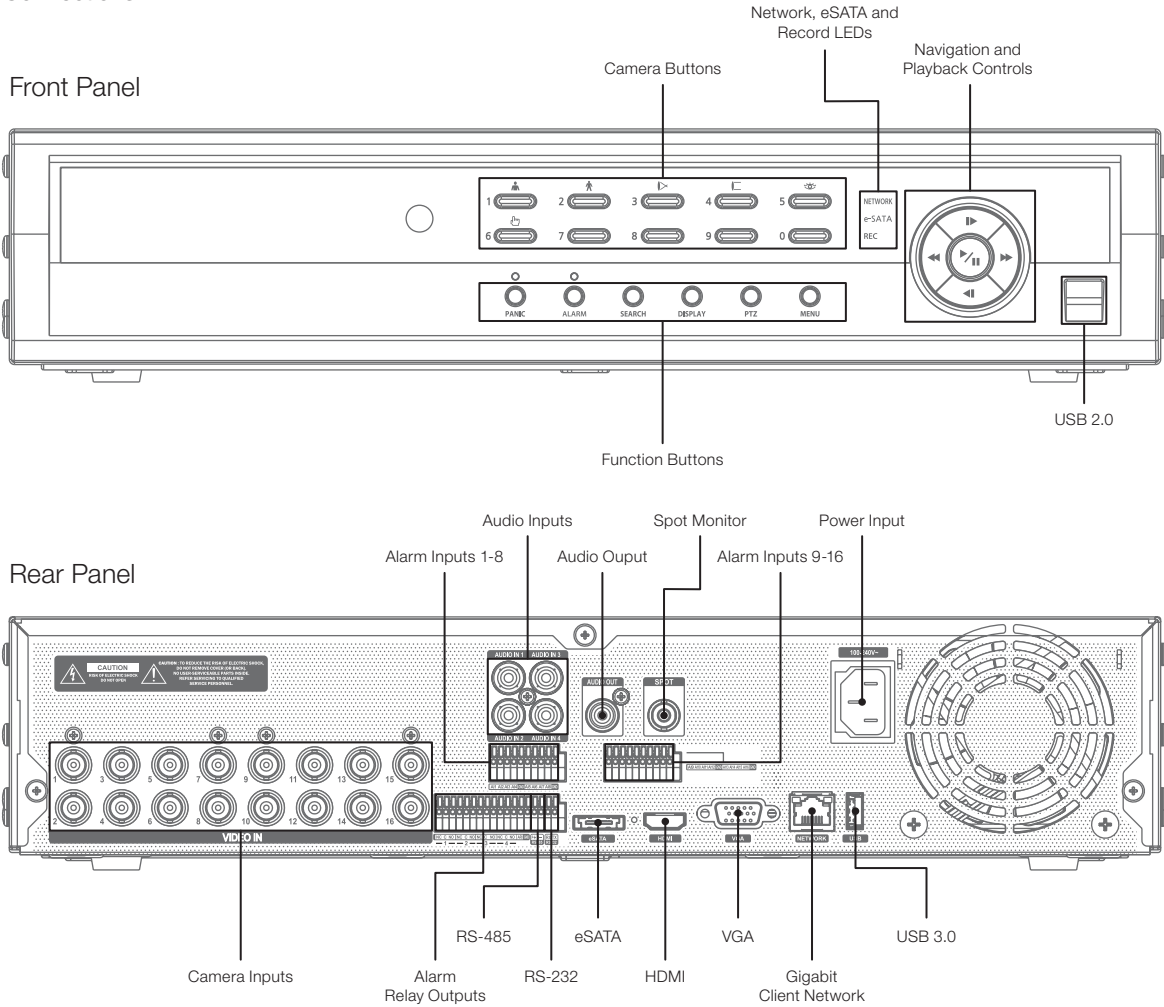
Camera Support	HD-TVI, AHD, and SD analog
Approvals	FCC, CE, UL, CB, PSE

### Mechanical

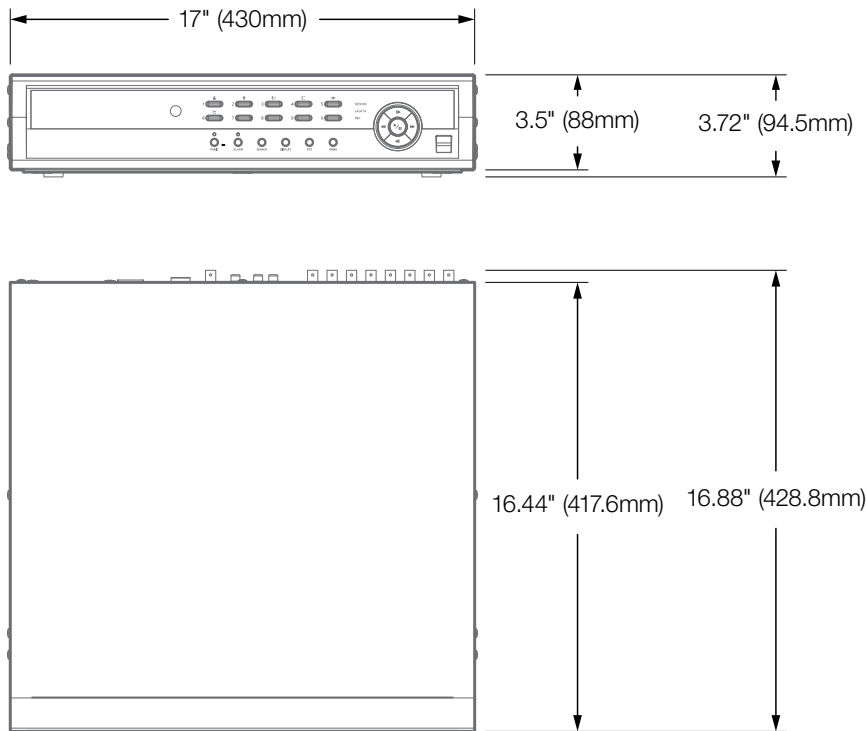
Dimensions <i>(See Dimensions)</i>	Unit	17" W (430mm) x 3.5" H (88mm) x 16.44" L (417.6mm)
Weight	Unit	14.1lbs (6.4kg)*

\* 8TB Model

## Controls and Connections



## Dimensions



See Next Page for Ordering Information



### Model Numbers

4TB	CR1625ET-4TB
6TB	CR1625ET-6TB
8TB	CR1625ET-8TB
10TB	CR1625ET-10TB
12TB	CR1625ET-12TB
16TB	CR1625ET-16TB
24TB	CR1625ET-24TB

### eSATA Extended Video Storage Model Numbers

8TB	CREVS4R20-8TB
12TB	CREVS4R20-12TB
16TB	CREVS4R20-16TB

Create Your Model (Example: CR1625ET-24TB)

16 Channel  
ET 25 Series NVR

Default Storage

Storage Type

