



**Safety Technology
International**

**Stopper Station Series
SS-2002F Push Buttons
Key-to-Reset**



We protect the things that protect you.®

Installation and Service Instructions

STOPPER STATION SERIES SS-2002F PUSH BUTTON

SAFETY NOTICE TO INSTALLERS AND USERS

This push button has been tested according to UL38 and UL2017. Manual fire alarm stations are listed in UL category UNIU and non-fire alarm initiating devices are listed in UL category UEHX. It is important to read, understand and follow all instructions provided with this product. It is the installer's responsibility to comply with NFPA72 and 101, NEC, mounting specifications according to ADA and other applicable fire and electrical codes. After installation and testing are complete, provide a copy of this manual to all personnel responsible for testing and maintenance of this product. To avoid electrical shock, DO NOT attempt to install this product when power is on. For outdoor usage, STI-6525 or STI-6535 Mini Weather Stopper Cover is

I. GENERAL

Product Dimensions

See page 7

Switch Rating

2 Form C contacts

125/250 VAC, 10 A, 1/2 HP

30 VDC, 6 A

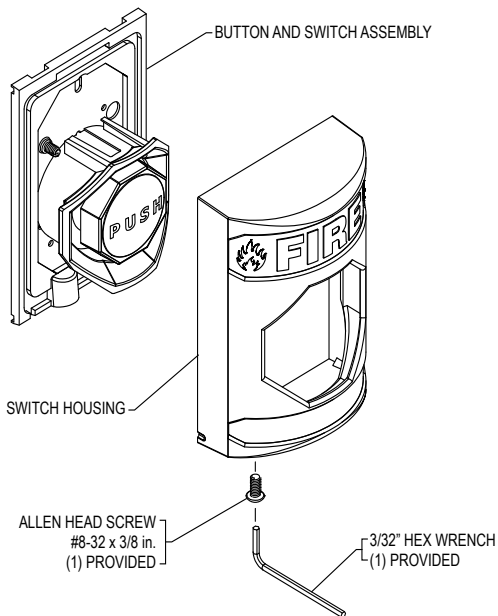
II. CONTENTS LIST

QTY.	DESCRIPTION
1	Push Button Housing Assembly
1	18061 Reset Key
1	Allen Head Screw #8-32 x 3/8 in.
1	Allen Wrench 3/32 in.
4	Screw 3.5mm x 13mm
2	Screw #6-32 x 1 in.
1	Ground Screw
4	#6 x 1 1/4 in. SS SMS
4	Plastic Screw Anchor
1	71100A Surface Backbox

III. INSTRUCTIONS

Housing Removal.....	Page 2
Backbox Preparation.....	Page 3
Wire Connections.....	Page 4
Installation.....	Page 5
Key Reset Procedure.....	Page 6
Product Dimensions.....	Page 7

HOUSING REMOVAL



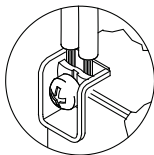
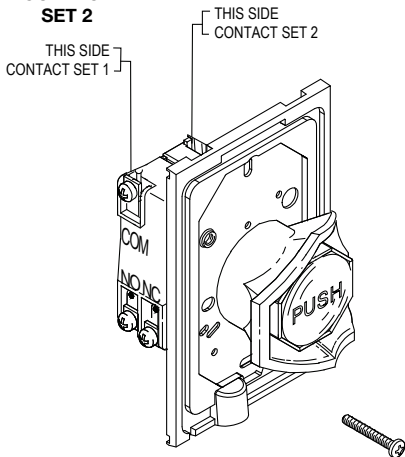
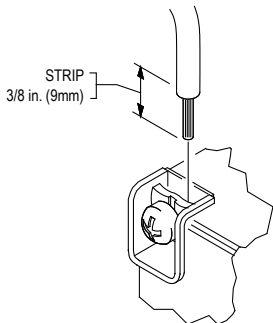
WIRE CONNECTIONS



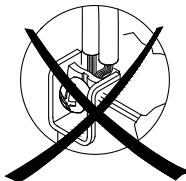
CONTACT SET 1



CONTACT SET 2

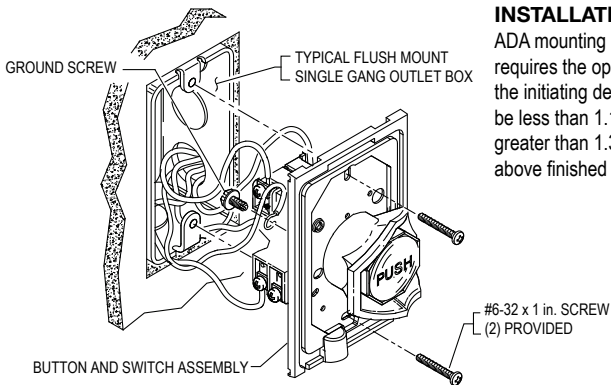
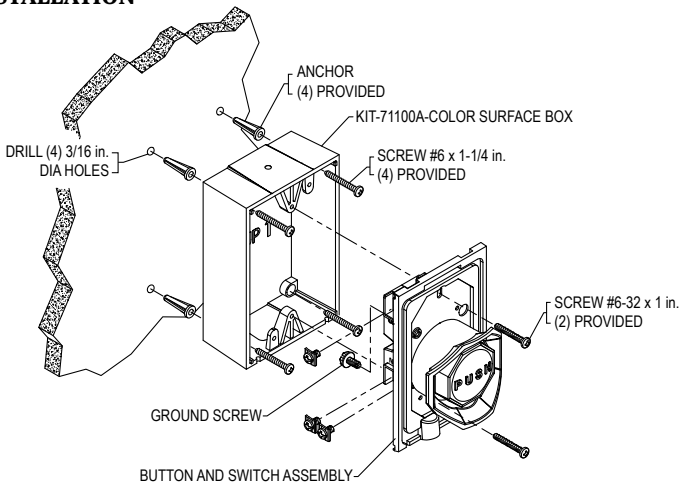


**CORRECT METHOD OF
INSERTING MULTIPLE LEADS
(1 WIRE EACH
SIDE OF SCREW)**



**INCORRECT METHOD OF
INSERTING MULTIPLE LEADS
(BOTH WIRES ON
ONE SIDE OF SCREW)**

INSTALLATION

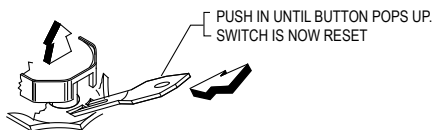
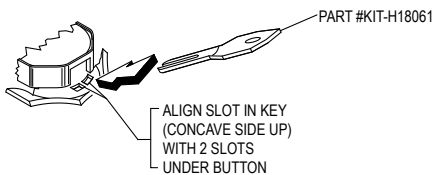


INSTALLATION NOTE

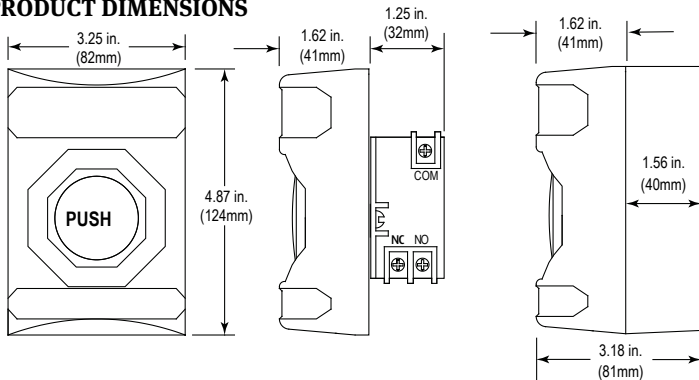
ADA mounting compliance requires the operable part of the initiating device shall not be less than 1.1m (3 1/2 ft.) or greater than 1.37m (4 1/2 ft.) above finished floor surface.

KEY RESET PROCEDURE

VIEW IN DIRECTION OF ARROW A



PRODUCT DIMENSIONS



**MODELS
WITHOUT BACK BOX**

**MODELS
WITH BACK BOX**

WARRANTY

Three year guarantee against breakage of polycarbonate in normal use (one year on electro mechanical and electronic components). Electronic warranty form a www.sti-usa.com/wc14.

⚠ WARNING: This product can expose you to chemicals including Bisphenol A, which is known to the State of California to cause reproductive harm and Dichloromethane, which is known to the State of California to cause cancer.

For more information go to www.P65Warnings.ca.gov.



USA



**Safety Technology
International**

2306 Airport Rd • Waterford, MI 48327, USA

Phone: 248-673-9898 • info@sti-usa.com • www.sti-usa.com



EMEA

Taylor House • 34 Sherwood Road • Bromsgrove, Worcestershire • B60 3DR • England
Tel: +44 (0)1527 520 999 • info@sti-emea.com • www.sti-emea.com

Unit 7A • Lockhead Avenue • Airport Business Park • Waterford • X91 HWF2 • Ireland
info@sti-emea.com • www.sti-emea.com