

Box Tamper Switch

WWW.GRISK.COM



TS-01 Box Tamper Series

- ◆ Environmentally sealed contacts
 - ◆ Longer service life
- ◆ Eliminates false alarms and nuisance service calls
 - ◆ Magnetically actuated plunger
- ◆ No blades to corrode ◆ No more switch bounce
 - ◆ No additional hardware or adapters needed
 - ◆ Replaces older mechanical tampers
 - ◆ Fits most bell, siren and control panel mounting hole patterns
- ◆ Use indoors ◆ Vibration free ◆ Install and forget
 - ◆ Available in closed loop, open loop and SPDT
 - ◆ Available with screw terminals or wire leads
- ◆ Available with built in automatic shunt feature for system servicing (gray); TS-01S/TSW-01S, or as a non-shunt version TS-01/TSW-01
- ◆ Travel distance total .40; pre-travel is .175 to .240
 - ◆ Colors: standard available in black, shunt available in gray



TS-01



TSW-01

The shunt feature is activated by simply pulling on the plunger until it locks. In this position, the circuit is closed while the door is open to help make servicing easier.

When using the TS-01 series with the automatic service shunt, it is important to **remember to fully depress (reset) the plunger prior to closing the cabinet, box, door, etc., which will rearm the circuit.** Failure to restore the plunger will cause the TS-01 to become erratic and not secure the zone circuit properly.

WARRANTY: Lifetime warranty against workmanship, material and factory defects.

GEORGE RISK INDUSTRIES, INC.
G.R.I. PLAZA
KIMBALL, NE 69145

WWW.GRISK.COM



1-800-445-5218
1-800-523-1227
(308) 235-4645
FAX (308) 235-3561
E-MAIL: sales@grisk.com

Box Tamper Switch

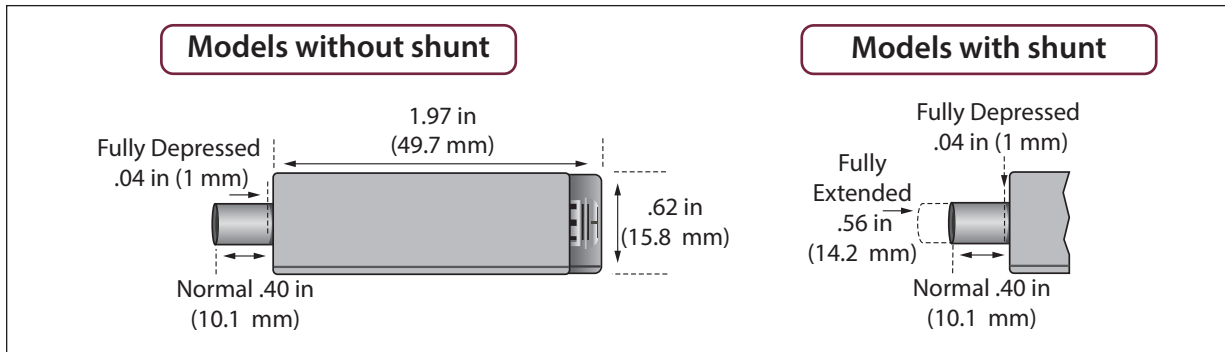
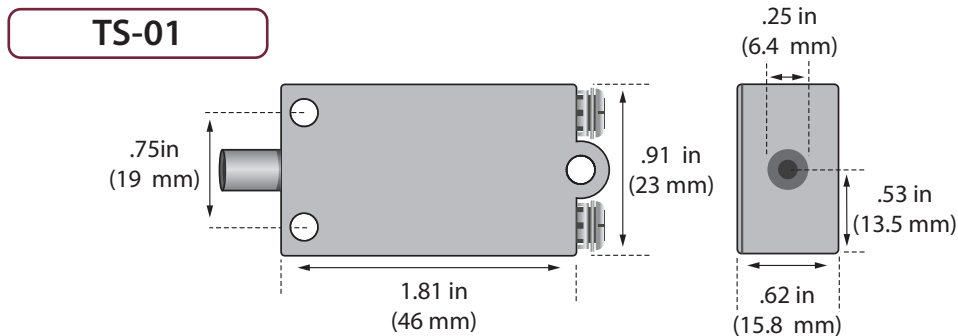


WWW.GRISK.COM

INSTALLATION APPLICATIONS

The TS-01 and TSW-01 magnetic reed, three hole box tamper switch is designed to fit almost all standard siren and panel boxes. Available with an adjustable plunger length, the TS-01 allows the installer to alarm the box to detect opening or prying to remove the box from its mounted position. Screw terminals or wire leads provide easy hook up.

Available in closed loop, open loop and SPDT. Mounting hardware included. TSW-03 is available with leads only.



GRI PRODUCTS MEET OR EXCEED THESE MINIMUM GENERAL SPECIFICATIONS:

Part Number	Loop Type	Electrical Configuration	Reed Form	Max. Initial Contact Resistance (Ω)	Max. Contact Rating (W)	Max. Switching Voltage (VDC)	Max. Switching Current (A)
TS-01(S)	Closed	N/O	A	.150	10	160	.400
TSW-01(S)	Closed	N/O	A	.150	10	160	.400
TS-02(S)	Open	N/C	B	.140	5	175VDC	.250
TSW-02(S)	Open	N/C	B	.140	5	175VDC	.250
TSW-03(S)	Open/Closed	SPDT	C	.140	5	175VDC	.250

WARRANTY: Lifetime warranty against workmanship, material and factory defects.

GEORGE RISK INDUSTRIES, INC.
G.R.I. PLAZA
KIMBALL, NE 69145

WWW.GRISK.COM



1-800-445-5218
1-800-523-1227
(308) 235-4645
FAX (308) 235-3561
E-MAIL: sales@grisk.com