

2

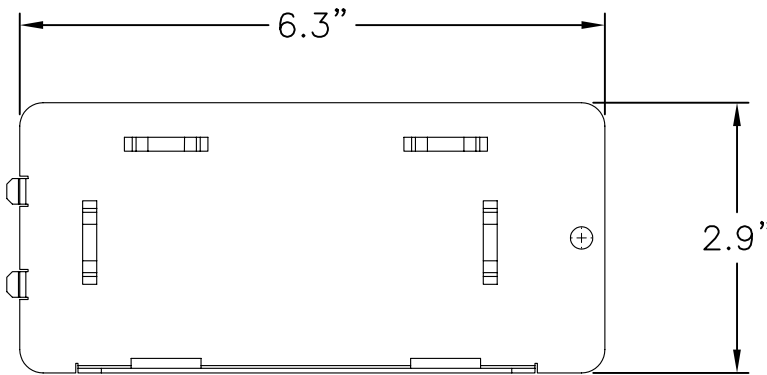
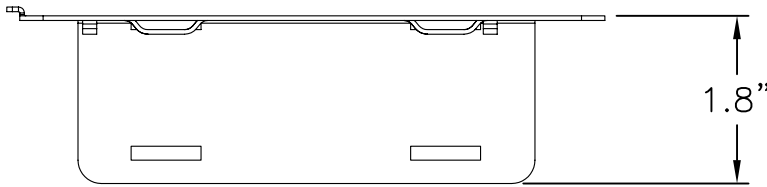
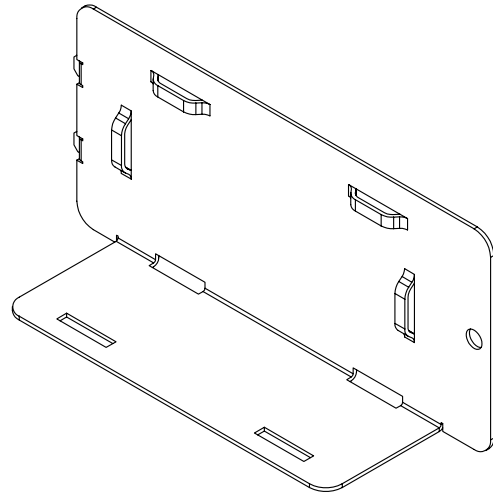
1

NOTES:

- 1. COATING: POWDER
- 2. STEEL GAUGE: 18

B

B



A

A

PROPRIETARY AND CONFIDENTIAL
 THE INFORMATION CONTAINED
 IN THIS DRAWING IS THE SOLE
 PROPERTY OF On-Q/LEGRAND.
 ANY REPRODUCTION IN PART OR
 AS A WHOLE WITHOUT THE WRITTEN
 PERMISSION OF On-Q/LEGRAND
 IS PROHIBITED. DRAWING IS SUBJECT
 TO CHANGE WITHOUT NOTICE.

on·Q

legrand

P.O. Box 60907
 Middletown, PA 17106-0907
 1-800-321-2343

TITLE:

**UNIVERSAL MOUNTING PLATE
 HALF WIDTH**

SIZE A	DWG NO 364896-01	FILE NAME CD-364896-01	CUST REV 1
REVISED DATE 11/06/07	SCALE NONE	SHEET 1 OF 1	

2

1