



333 Bayview Avenue
Amityville, New York 11701
For Sales and Repairs, (800) 645-9445
For Technical Service, (800) 645-9440 or visit us at
<http://tech.napcosecurity.com/>
(Note: Technical Service is for security professionals only)
Publicly traded on NASDAQ Symbol: NSSC
© NAPCO 2016

GEMC-24VR

24 Volt "Regulated" Output Module DATA SHEET

WI1915A 01/16

GENERAL DESCRIPTION

The GEMC-24VR "Regulated" Output Module is used with the Gemini C-Series control panel or the GEMC-NAC7L/S Supervised NAC Extender.

The GEMC-24VR is intended to provide a constant 24V regulated output (maximum current 1.0A) from the Gemini C-Series control panel motherboards or the GEMC-NAC7L/S Supervised NAC Extender. To provide this 24V regulated output, one of the four special application NAC outputs must be dedicated and programmed as "Reverse Polarity" and not programmed to activate on any alarms or events.

The GEMC-24VR must be used when the system requires a 24V regulated output for an initiating device rated for 24V. The GEMC-24VR module is required to

ensure that the voltage supplied to specific addressable SLC devices remains at or above 24 volts, even when the standby battery power drops to 20.4VDC when the battery is below 20.4DC (85% of nominal battery rating).

The GEMC-24VR device is a UL864 (9th edition) listed accessory to a Gemini C-Series control panel or GEMC-NAC7L/S Supervised NAC Extender.

The GEMC-24VR should be used when the following modules are used as part of the system:

- FWC-FSLC-DUCT
- FWC-FSLC-CZM
- FWC-FSLC-SOM1

SPECIFICATIONS

Electrical Ratings

Input Power: 24V Unregulated, 2A maximum. Supplied from NAC output of the GEMC-Series motherboard or GEMC-NAC7L/S programmed for reversed polarity.

Output Power: 24V Regulated, 1.0A maximum (maximum is reduced by battery configuration and required standby time).

PHYSICAL

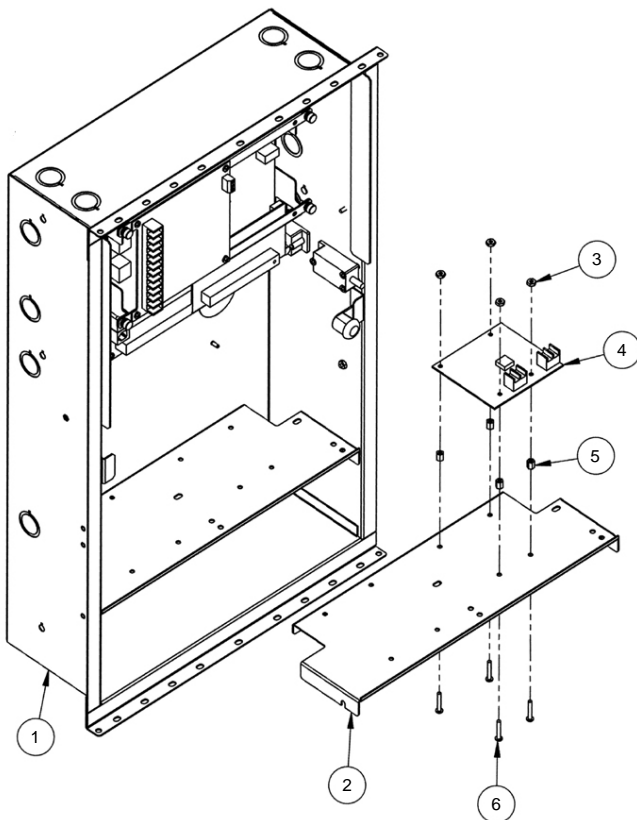
Dimensions: W = 3.5", L = 4.32", H = 1.15"

AGENCY LISTINGS

UL864 9th Edition: Commercial Fire
UL985: Household Fire Warning System Units
NFPA 72 National Fire Alarm Code
CSFM: California State Fire Marshall
NYCFD: NYC Fire Department

ORDERING INFORMATION

GEMC-24VR: Commercial Fire 24V Regulated Output Module



GEMC-24VR Installation Location (see part number table below)

| Item | Part No. | Description | QTY |
|------|----------|----------------------------------|-----|
| 1 | HW1688 | Enclosure base | 1 |
| 2 | HW1489 | Shelf | 2 |
| 3 | N101 | 6-32 keph nut | 4 |
| 4 | PCB | "Boost Buck" Circuit | 1 |
| 5 | SO216 | Spacer, 1/4" x .313, 6-32 tapped | 4 |
| 6 | SC631 | Screw 6-32 x 7/8 pph | 4 |