

INCREASE YOUR FLEET'S PRODUCTIVITY WITH ENHANCED CELLULAR CONNECTIVITY

weBoost In-Vehicle Cell Signal Booster Solutions

THE PROBLEM

Today's connected vehicle technology offers fleet managers and drivers greater peace-of-mind on the open road with improved performance, cost savings, and overall safety. Without access to reliable cell signal, this same technology no longer works. And it's not always the carrier's fault.

Types of in-vehicle technology that are compromised by weak cell signal include:



GPS-apps on a driver's phone for routing unfamiliar roads.



Telematics systems sending vehicle diagnostics to dispatch.



Hand-held POS terminal for tracking orders and shipments.



Vehicle tracker/monitoring devices used by fleet managers.

THE SOLUTION

weBoost in-vehicle cell signal boosters improve the quality of the cellular connection between your fleet vehicles and nearby towers; regardless of your carrier network, the location of your fleet (within the U.S. or Canada), or the strength of the existing cell signal. This is how it works:

1 OUTSIDE ANTENNA

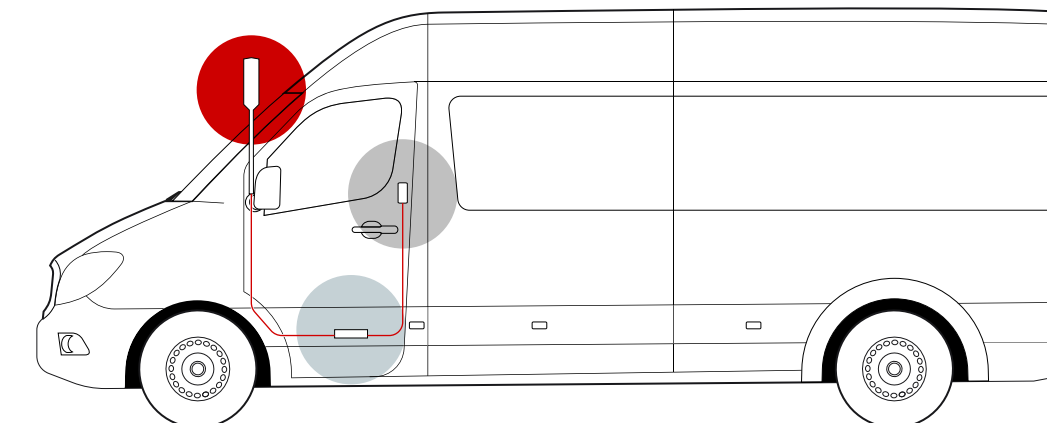
Outside antenna receives cell signal from the closest tower.

2 SIGNAL BOOSTER

Booster amplifies the cell signal received by outside antenna.

3 INSIDE ANTENNA

Inside antenna distributes this new signal throughout vehicle.





THE OPPORTUNITY

The demand for fast, always-on cellular connectivity for fleets shows no signs of slowing down. It's now estimated that 1.2 billion connected vehicles are in use worldwide. * Due to the rise of cellular tablets, computers, and telematics systems, in-vehicle boosters are becoming standard.

weBoost is the recognized leader of in-vehicle cell signal boosting technology in the fleet world. Designed and assembled in the USA, every weBoost booster kits can be customized to fit your fleet's needs. When it comes to keeping fleets connected, the advantages of weBoost include:



Compatibility with all phones and cellular devices on all U.S. carrier networks.



There are no subscriptions or monthly fees, just a one-time product purchase.



weBoost's 2-year manufacturer's warranty and 30-day money-back guarantee.

Fleet-trusted and road-tested nationwide, our line of in-vehicle cell signal boosters provide an ideal solution for any commercial and government fleet in need of reliable cell signal coverage.

*Source: Connected Cars – Statistics and Facts, published by I. Wagner, April 6, 2020, statista.com.

THE NEXT STEP

Contact your authorized Commercial Fleet weBoost sales representative or go to weboost.com/fleet-solutions for details.