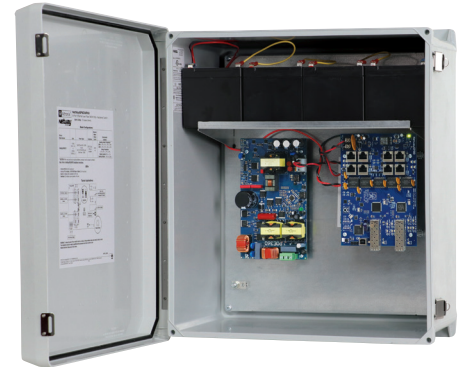


NetWaySP8C3W5

8-port Hardened PoE+ Switch, Integral Power with Rapid Battery Charger



Altronix NetWaySP8C3WP5 supports up to 60W per port (360W total power) for deploying the latest high-powered IP devices in remote locations. It is equipped with two (2) 1Gb SFP ports to transmit data at long distances and eight (8) PoE+ (30W) or two (2) Hi-PoE (60W) Ethernet ports. NetWaySP8C3WP5 accommodates single/multi-mode fiber or composite cable (fiber+copper) to simultaneously deliver power and data from NetWay Spectrum head-end media converters/injectors. NetWaySP8C3W5 has an integrated rapid battery charger for extended battery run times. Embedded LINQ Technology allows to monitor, control, and report power and diagnostics from anywhere.



NetWaySP8C3W5

Key Features

- Eight (8) PoE/PoE+ (up to 30W) ports or two (2) Hi-PoE (60W) ports (360W total power)
- IEEE 802.3af, 802.3at compliant or Hi-PoE (60W)
- Two (2) Gigabit SFP ports
- LINQ Technology:
 - Remote network management allows for camera/device reset and diagnostic monitoring
 - Provides local and/or remote access to critical information via LAN/WAN
 - Email and Windows Dashboard Alert notifications report real-time events
 - Event log tracks history
- VLAN (Virtual Local Area Networks) subnetwork allows for the grouping together of devices for improved network traffic and higher security
- Integrated rapid battery charger for extended battery run times
- Selectable charging circuit 2A or 4A
- CE European Conformity
- NEMA 4/4X, IP66-11 enclosure accommodates batteries

Accessories (included)



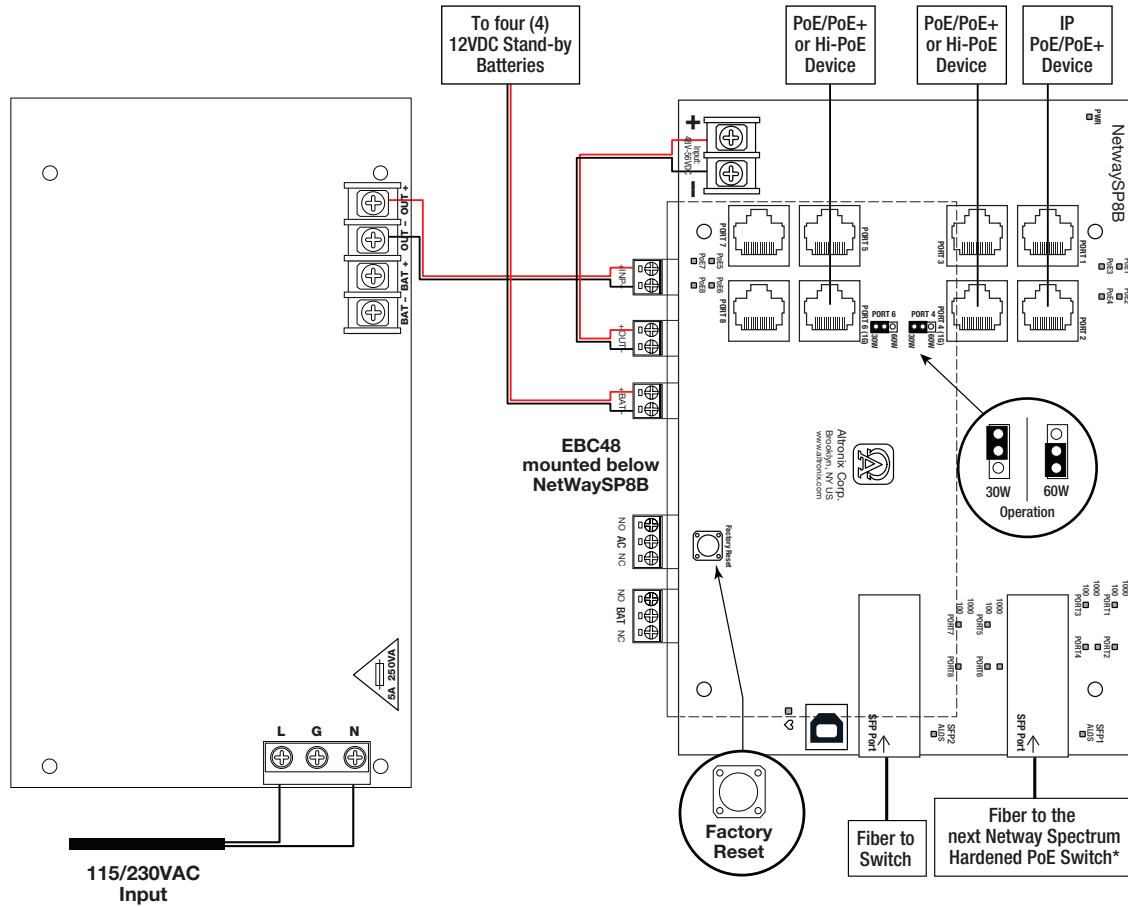
Vent2

Vent2 - Air Vents For NEMA4/4X Rated Enclosures

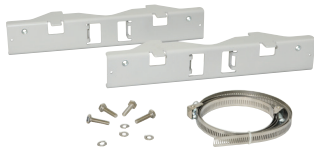
Two (2) Fiberglass, smooth matte finish vents included with hardware and template

Lifetime Warranty

Typical Application



Accessories (order separately)



PMK2 - Pole Mount Kit

PMK2 pole mount kit is designed to simplify installation of outdoor units. It accommodates 2" - 8" (diameter) poles.



SFP Modules - Hot pluggable Transceivers

- P1MM** Multi-Mode SFP Module for distances up to 550m.
- P1SM10** Single-Mode SFP Module for distances up to 10km.
- P1AB2K** Single Strand SFP Module for distances up to 2km.
- P1GCE** Copper SFP Module for distances up to 100m.



NetWaySP1A - Ethernet over Fiber Media Converter/Repeater for Applications Requiring an Additional SFP (Fiber) Port

NetWaySP1A PoE powered media converter/repeater converts 10/100/1000 Mbps to Fiber (1000Base-X/SX/LX).

Lifetime Warranty

Specifications**Input**

Voltage	115VAC, 60Hz, 3.5A or 230VAC, 50/60Hz, 2A
Input Fuse	5A/250V

Power Output

Maximum Power	Eight (8) PoE+ (30W) ports or two (2) Hi-PoE (60W) ports, 360W total power IEEE 802.3af (15W), IEEE 802.3at (30W) compliant Integral surge protection
---------------	--

SFP Ports:

Two (2) Gigabit SFP ports

Ethernet Ports:

Six (6) 100 Mbps full duplex only (ports 1, 2, 3, 5, 7 and 8) and two (2) 10/100/1000 Mbps ports
Connectivity: RJ45, auto-crossover
Wire type: 4-pair CAT5e or higher structured cable
Speed: 10/100/1000 Mbps, half/full duplex, auto negotiation

Battery Charging:

Selectable 2A or 4A charging circuit
Able to recharge 40AH or larger batteries in under 8 hours
Low battery and battery presence supervision
AC Fail supervision

Failover

Upon AC loss, instantaneous

Batteries are sold separately. Vent2 Ventilation Kit is included

Indicators (LED)

Individual PoE On LEDs for each port
Individual IP Link status, 10/100/1000 Base-T/active LEDs for each port
ALOS LED indicates fiber connection for SFP port
Heartbeat LED indicates proper operation of the unit

VLAN:

Multiple management VLAN assignment
802.1Q Tagged VLAN
Up to 10 VLAN groups. ID Range 2-4095

LINQ Technology:

Remote network management allows for camera/device reset and diagnostic monitoring
Provides local and/or remote access to critical information via LAN/WAN
Email and Windows Dashboard Alert notifications report real-time events
Event log tracks history

Agency Listings

CE European Conformity

Physical and Environmental**Dimensions (H x W x D)**

Enclosure:	19.31" x 17.32" x 9.58" (490.4mm x 439.9mm x 243.3mm)
Shipping:	21.375" x 14.5" x 9.5" (542.9mm x 374.7mm x 241.3mm)

NEMA 4/4X, IP66-11 Rated enclosure for outdoor use
Accommodates up to four (4) 12VDC/12AH batteries

Weight (approx.)

Product:	20.6 lb. (9.34 kg)
Shipping:	24.3 lb. (11.1 kg)

Temperature

Operating (360W):	-30°C to 65°C (-22°F to 149°F)
Operating (240W):	-30°C to 70°C (-22°F to 158°F)
Storage	-30°C to 85°C (-22°F to 185°F)

Relative Humidity: 85% +/- 5%

BTU/Hr. (approx.): 183 BTU/Hr.

Operating Altitude: -304.8 to 2,000m

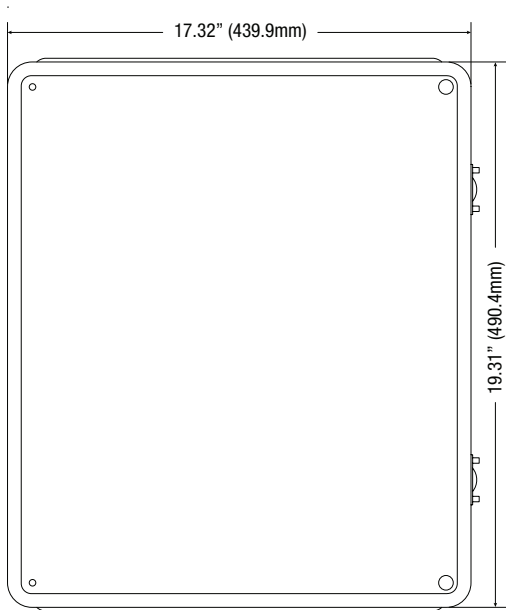
Lifetime Warranty

Dimensions and Drawing

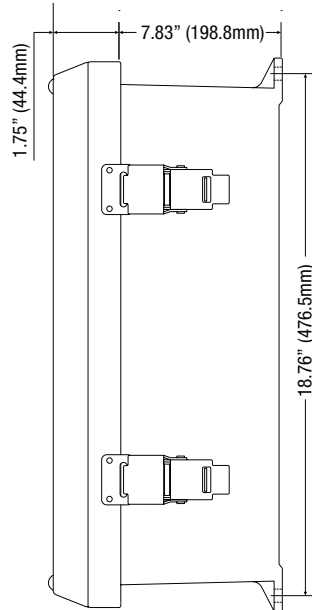
Dimensions (H x W x D approximate)

19.31" x 17.32" x 9.58" (490.4mm x 439.9mm x 243.3mm)

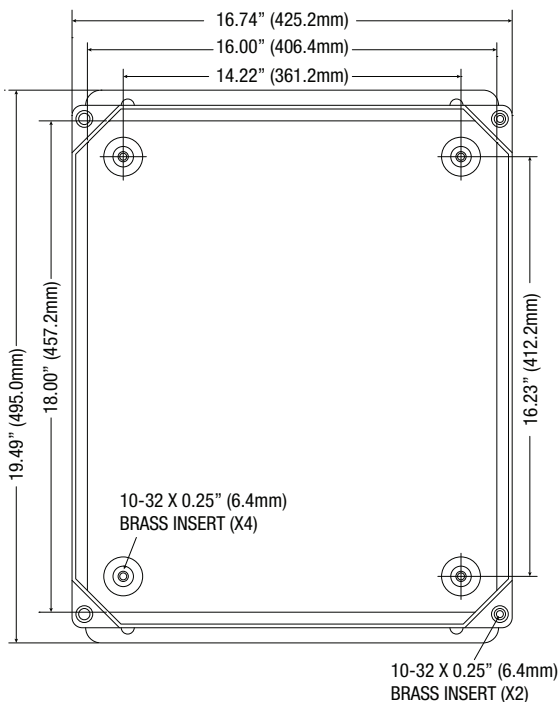
FRONT VIEW



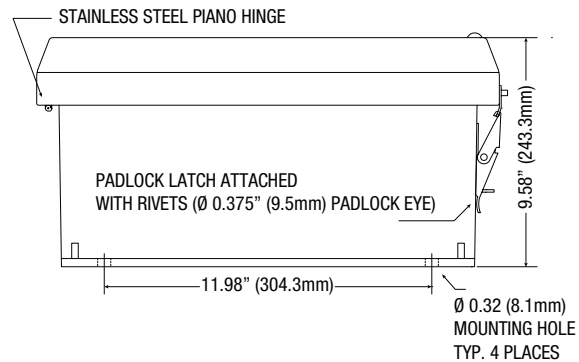
RIGHT SIDE VIEW



FRONT VIEW COVER REMOVED



END VIEW



Lifetime Warranty

Altronix Corporation | 140 58th St | Brooklyn, NY 11220 USA

phone: +1 718.567.8181 | fax: +1 718.567.9056 | email: info@altronix.com | www.altronix.com