



Fiber Solution

NetWaySP8C3W Series

8-port Hardened 360W Ethernet over Fiber
Hardened Switches with
Rapid Battery Charger

Models Include:

NetWaySP8C3W2

- Enclosure accommodates two (2) 12VDC/7AH or up to four (4) 12VDC/4AH batteries
- Includes Vent2

NetWaySP8C3W5

- Enclosure accommodates up to four (4) 12VDC/12AH batteries
- Includes Vent2

Installation Guide



DOC#: NetWaySP8C3W5 Rev. 101624



More than just power.™

Installing Company: _____ Service Rep. Name: _____

Address: _____ Phone #: _____

Overview:

Altronix NetWaySP8C3W Series Hardened Switches are each equipped with two (2) 1Gb SFP ports and eight (8) PoE+ (30W) ports or up to two (2) Hi-PoE (60W) ports, with 360W total power for deploying the latest high-powered IP devices in remote locations. NetWaySP8C3W Series accommodate single/multi-mode fiber or composite cable (fiber+copper) to simultaneously deliver power and data from NetWay Spectrum head-end media converters/injectors. NetWaySP8C3W Series have an integrated rapid battery charger for extended battery run times. Embedded LINQ Technology enables monitoring, control, and reporting from anywhere over the network.

Features:

Agency Listings:

- CE European Conformity.

Input

- 115VAC, 60Hz, 3.5A or 230VAC, 50/60Hz, 2A.

Output

- Eight (8) ports PoE+ (30W) or up to two (2) Hi-PoE (60W) ports.
- IEEE 802.3at (30W) and IEEE 802.3af (15W) compliant.
- 360W total power.
- Integral surge protection.

SFP Ports:

- Two (2) Gigabit SFP ports.

Ethernet Ports:

- Six (6) 10/100 Mbps and two (2) 10/100/1000 Mbps ports.
- Connectivity: RJ45, auto-crossover.
- Wire type: 4-pair CAT5 or better structured cable.
- Distance: up to 100m.
- Speed: 10/100/1000 Mbps, half/full duplex, auto negotiation.

Indicators (LED)

- Individual PoE On LEDs for each port.
- Individual IP Link status, 10/100/1000 Base-T/active LEDs for each port.
- ALOS LED indicates fiber connection for SFP port.
- Heartbeat LED indicates proper operation of the unit.

VLAN:

- Multiple management VLAN assignment.
- 802.1Q Tagged VLAN.
- Up to 10 VLAN groups. ID Range 2-4095.

LINQ Technology:

- Remote network management allows for camera/device reset and diagnostic monitoring.
- Provides local and/or remote access to critical information via LAN/WAN.
- Email and Windows Dashboard Alert notifications report real-time events.
- Event log tracks history.

Battery Backup:

- Charging four (4) 12V batteries in series.
- 2A or 4A selectable operation.
- Able to recharge 40AH or larger batteries in under 8 hours
- AC Fail Supervision (form "C" contacts).
- BAT Supervision: indicates low or missing batteries (form "C" contacts).

Mechanical:

- NEMA4/4X, IP66 Rated enclosures for outdoor use.
- Accommodates sealed lead acid or gel type or LiFePO₄ (Lithium Iron Phosphate) 12VDC batteries.
- Dimensions (H x W x D approx.):

NetWaySP8C3W2:

17.53" x 15.3" x 6.67"
(445.3mm x 388.6mm x 169.4mm)

NetWaySP8C3W5:

19.31" x 17.32" x 9.58"
(490.4mm x 439.9mm x 243.3mm)

***CAUTION:** When using lead acid or gel type batteries, enclosure must be properly ventilated.

Battery operational temperature should be derated 10-15°C lower than manufacture's rated high temperature.

Recommended Altronix SFP Modules:

Altronix P1MM, P1SM10, P1AB2K and P1GCE are hot-pluggable SFP fiber transceiver modules and are readily usable with all Altronix Spectrum fiber optic equipment for 1Gb transmission rates.

P1MM For use with Multi-Mode Fiber for distances up to 550m.

P1SM10 For use with Single-Mode Fiber for distances up to 10km.

P1AB2K For use with Single Strand Single-Mode Fiber for distances up to 2km.

P1GCE For use with CAT5e or better for distances up to 100m.

Installation Instructions:

Wiring methods shall be in accordance with the National Electrical Code/NFPA 70/ANSI, and with all local codes and authorities having jurisdiction. All units should be installed by a trained service personnel.

1. Remove backplane from enclosure prior to drilling. Do not discard hardware.

Note: Make sure that hardware will not interfere with components of the circuit board.

2. For installing Vent2 refer to page 9.

3. Mark and drill desired inlets on the enclosure to facilitate wiring. Maximum NEMA type 4X rated fittings to be used are 0.5". Follow manufacturer's specifications for the appropriate size opening.

Note: Inlets for conduit fittings should only be made on the bottom of the enclosure.

To facilitate wire entry utilize weather-tight NEMA rated connectors (*supplied*), bushings, and cable.

4. Clean out the inside of enclosure before remounting circuit boards/backplane.

5. Mounting NEMA4/4X rated enclosure (*Enclosure Dimensions, pg. 11, 12*):

Wall mount: Mount unit in desired location. Mark and drill holes to line up with the top and bottom hole of the enclosure flange. Secure enclosure with appropriate fasteners (e. g. screws and anchors; bolts and locking nuts, etc.) that are compatible with mounting surface and are of sufficient length/construction to ensure a secure mount (*Fig. 7, pg. 10*).

Pole Mount: Refer to *Fig. 8 - 12, pg. 10*.

6. Mount backplane in enclosure with hardware.

Power Connection:

1. Secure cabinet to earth ground. Connect AC power from overcurrent protective device circuit breaker (20A @ 115VAC, 60Hz, 16A @ 230VAC, 50/60Hz) to the terminals marked [L, N] on power supply board (*Fig. 4, pg. 10*). Use 14AWG or larger for all power connections (Battery, DC output, AC input). Connect ground lug to earth or green branch wire (12AWG min.).

Keep power-limited wiring separate from non power-limited wiring by utilizing separate knockouts/inlets. Minimum 0.25" spacing must be provided.

CAUTION: Do not touch exposed metal parts. Shut branch circuit power before installing or servicing equipment. There are no user serviceable parts inside.

Refer installation and servicing to qualified service personnel.

Input/Data Connections:

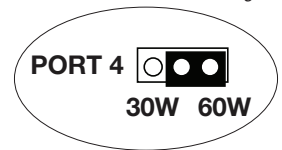
1. Port Configurations (*Fig. 1, pg. 4; Fig. 2b, pg. 4*):

Jumper	Jumper Position	Structured Cable Ports							
		1	2	3	4	5	6	7	8
PORT 4	30W	30W and Data				_____			
PORT 6	30W	_____				30W and Data			
PORT 4	60W	Data Only		60W and Data		_____			
PORT 6	60W	_____				Data Only	60W and Data	Data Only	

2. Connect structured cables from port marked [Port 1] to [Port 8] on NetWay unit to PoE-compliant cameras/ edge devices (*Fig. 2, pg. 4*).

Note: All interconnected devices must be UL Listed.

3. Insert SFP module into port(s) marked [SFP], then connect cable to the SFP module on NetWaySP8B to the corresponding input of an SFP switch (*Fig. 2, pg. 4*).



Battery Backup:

1. EBC48 Rapid Battery Charger is factory set for 2A charging current.

If 4A charging current is desired, carefully remove NetWaySP4PT board (do not discard hardware).

Locate charging current selection switch on EBC48 and select "Option 2".



Please note: the charging current has to be subtracted from the total power supply allowable output current.

Refer to Charging Current Output Selection Table for available current depending on power supply.

Also note: battery recharge time depends on the battery capacity and charging current.

Using 4A charging current setting will allow to return ~28AH of charge into the appropriate size battery.

Battery performance is dependent on battery specifications from the manufacturer. This includes temperature ratings, charge capacity, charge/discharge cycles and depth of discharge. Altronix is not responsible for battery installation methods.

Charging Current Output Selection Table:

Switch Position	Battery Charging Current	Current Available for Devices (6.5A/360W total)
SW 1 - Option 1	2A	4.5A/240W
SW 1 - Option 2	4A	2.5A/130W

2. Connect four (4) 12V lead acid or gel type batteries, connected in series to be charged to the terminals marked [- BAT +] (Fig. 2, pg. 4). When use of stand-by batteries is desired, they can be lead acid or gel type. If batteries are housed inside the enclosure, it must be properly ventilated.

Use included Altronix Vent2 kit and follow its installation instructions.

Note: When batteries are not used, a loss of AC will result in the loss of output voltage.

For outdoor battery backup, battery enclosure must have sufficient ventilation.

Security:

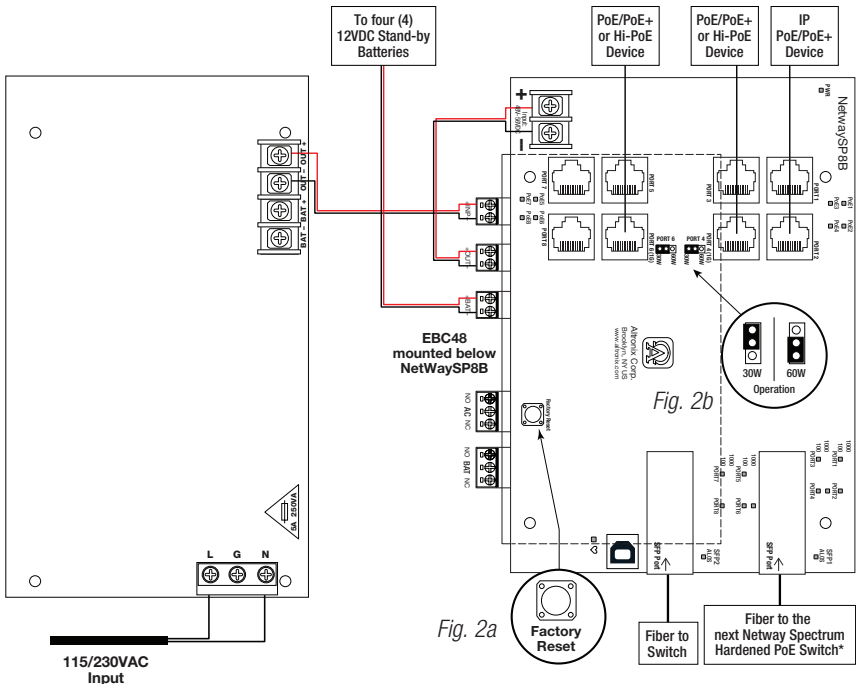
Please ensure that the cover is secured with key lock and screws.

Technical Specifications:

Parameter	Description		
Number of Ports	Eight (8) ports PoE+ (30W) or up to two (2) Hi-PoE (60W) ports. Two (2) Gigabit SFP Ports.		
Input Power	115VAC, 60Hz, 3.5A or 230VAC, 50/60Hz, 2A.		
Environmental Conditions	Operating Ambient Temperature:		
	360W: - 30°C to 65°C (- 22°F to 149°F)		
	240W: - 30°C to 70°C (- 22°F to 158°F)		
	Storage Temperature: - 30°C to 85°C (- 22°F to 185°F)		
	Relative Humidity: 85%, +/- 5%		
	Operating Altitude: - 304.8 to 2,000m		
Weights (approx.)	Model	Product Weight	Shipping Weight
	NetWaySP8C3W2	12.4 lb. (5.63 kg.)	13.6 lb. (6.17 kg)
	NetWaySP8C3W5	20 lb. (9.3 kg)	22.1 lb. (10.1 kg)

Typical Applications:

Fig. 2



Configuring Units for Network Connection

Please be sure to visit altronix.com for latest firmware and installation instructions

Factory Default Settings

- IP Address: 192.168.168.168
- User Name: admin
- Password: admin

1. Set the static IP address for the laptop to be used for programming to the same network IP address as the NetWaySP8. The default address of the NetWaySP8 is 192.168.168.168, E.I. 192.168.168.200.
2. Connect one end of the network cable to the network jack on the NetWaySP8 and the other to the network connection of the laptop.
3. Open a browser on the computer and enter "192.168.168.168" into the address bar.
A dialog box Authentication Required will appear requesting both user name and password.
Enter the default values here. Click on the button labeled **Log In**.
4. The status page of the NetWaySP8 will appear. Click on the tab labeled **Network Settings**.
This will open the Network Setting screen. In this screen the MAC Address of the NetWaySP8 module will be found along with the Network Settings and Email Settings.

Network Settings:

In the IP Address Method field select the method that the IP Address for the NetWaySP8 will be obtained (STATIC or DHCP), then follow the appropriate steps.

Static:

1. IP Address: Enter the IP address assigned to the NetWaySP8 by the network administrator.
2. Subnet Mask: Enter the Subnet of the network.
3. Gateway: Enter the TCP/IP gateway of the network access point (router) being used.
Gateway configuration is required to properly receive emails from the device.
4. HTTP Port: Enter the HTTP port number assigned to the NetWaySP8 module by the network administrator to allow remote access and monitoring. The default inbound port setting is 80. HTTP is not encrypted and unsecure. Even though HTTP can be used for remote access, it is recommended primarily for use with LAN connections.
5. HTTPS Port: Enter the HTTPS port number assigned to the NetWaySP8 module by the network administrator to allow remote access and monitoring. The default inbound port setting is 443.
Being encrypted and more secure, HTTPS is highly recommended for remote access.
6. Click the button labeled **Submit Network Settings**.
A dialog box will display "New network settings will take effect after the server is rebooted". Click **OK**.

DHCP:

1. After selecting DHCP in the IP Address Method field click the button labeled **Submit Network Settings**.
A dialog box will display "New network settings will take effect after the server is rebooted". Click **OK**.
Next, click on the button labeled **Reboot Server**. After rebooting the NetWaySP8 will be set in the DHCP mode. The IP address will be assigned by the router when the NetWaySP8 is connected to the network.
It is recommended to have the assigned IP Address reserved to ensure continued access (see the network administrator).
2. Subnet Mask: When operating in DHCP, the router will assign the subnet mask values.
3. Gateway: Enter the TCP/IP gateway of the network access point (router) being used.
4. HTTP Port: Enter the HTTP port number assigned to the NetWaySP8 module by the network administrator to allow remote access and monitoring. The default inbound port setting is 80. HTTP is not encrypted and unsecure. Even though HTTP can be used for remote access, it is recommended primarily for use with LAN connections.
5. HTTPS Port: Enter the HTTPS port number assigned to the NetWaySP8 module by the network administrator to allow remote access and monitoring. The default inbound port setting is 443.
Being encrypted and more secure, HTTPS is highly recommended for remote access.
6. Click the button labeled **Submit Network Settings**.
A dialog box will display "New network settings will take effect after the server is rebooted". Click **OK**.

Secure Network Setup (HTTPS):

In order to setup HTTPS for a Secure Network Connection, a Valid Certificate and Key must be used. Certificates and Key should be in a “.PEM” format. Self Certifications should only be used for testing purposes as no actual authentication is being performed. In a Self-Certified mode, the connection will still state that it is unsecure. How to upload Certificate and Key to setup HTTPS:

1. Open Tab Labeled “Security”
2. Select Tab Labeled “Email/SSL”
3. Scroll to bottom under “SSL Settings”
4. Click “Select Certificate”
5. Browse and select valid Certificate to upload from server
6. Click “Select Key”
7. Browse and select valid Key to upload from server
8. Click “Submit Files”

Once the Certificate and Key is uploaded successfully you can proceed with setting up HTTPS in Network Settings.

- A. HTTPS Port: Enter the HTTPS port number assigned to the NetWay Spectrum module by the network administrator to allow remote access and monitoring. The default inbound port setting is 443. Being encrypted and more secure, HTTPS is highly recommended for remote access.
- B. Click the button labeled **Submit Network Settings**.
A dialog box will display “New network settings will take effect after the server is rebooted”. Click **OK**.

Factory Reset Option:

1. Power the unit down. Allow approximately 30 seconds for the unit to power down completely.
2. Depress Factory Reset button on NetWaySP8B while reapplying power to the unit (*Fig. 2a, pg. 5; Fig. 3 pg. 7*). Continue holding the button until the LEDs on board go through the start up cycle, then release the button.
3. The unit returns to the original factory settings.

Fig. 3



VLans

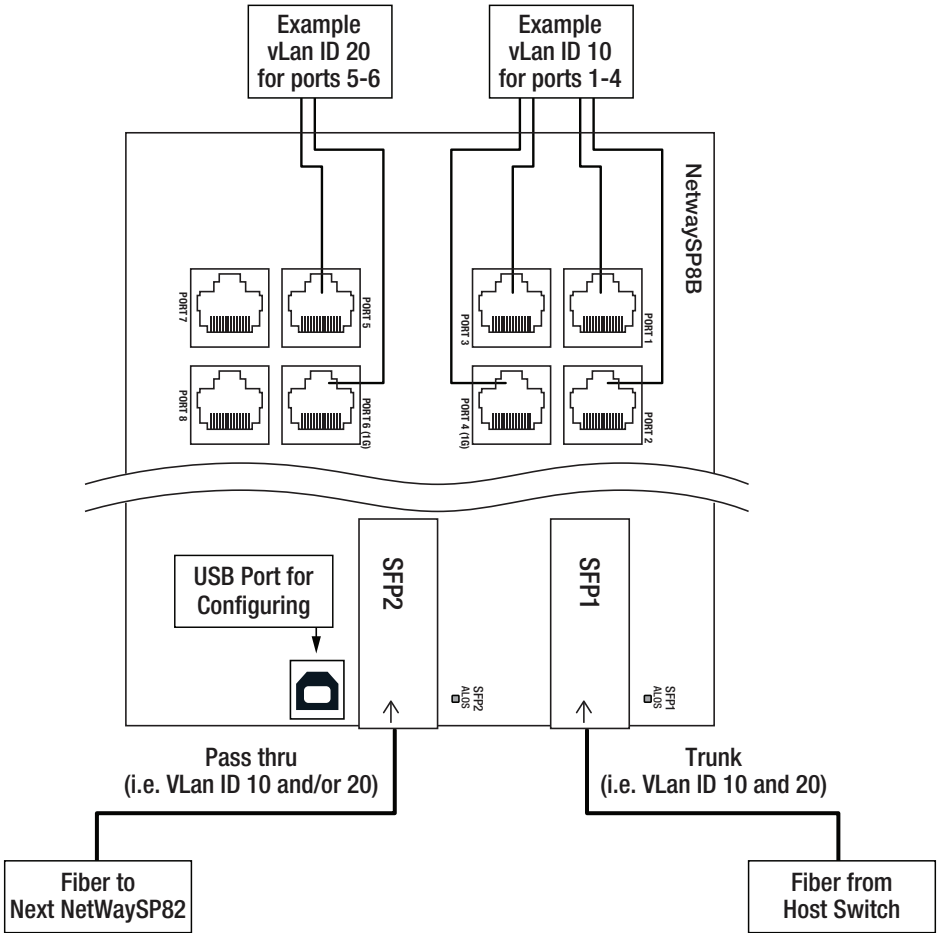
VLans (Virtual Local Area Networks) are a subnetwork that allow for the grouping together of devices for improved network traffic as well as providing higher security by allowing greater control over which devices have access to each other. It is important to plan how you will setup your devices for each vLan.

Configuring vLan on the Altronix NetwaySP8 Series Switch:

1. Ensure Laptop or PC being used to program the vLan settings is on a port that will be assigned to your first vLan configuration. By default the management portion of the software is assigned to vLan-1,
CAUTION: Changing VID=1, the industry standard VLAN HOST address to any other VID address should be done with caution and performed only locally, since the change will drop the original HOST connection. Local access then facilitates a physical reconnection to respective port.
Note: Only this vLan network allows access to IP management.
2. In Network Section click on vLan Tab.
3. Click Add vLan.
4. Enter a name for the vLan.
5. Enter a vLan ID, i.e. 10, 20, etc. Ensure this vLan ID is associated with a vLan setup on the main switch and that your Laptop or PC being used for programming is on this same ID
Note: vLan ID could be any value 2-4094.
6. Assign vLan QOS (Quality of Service) priority. 0 = Lowest and 7 = Highest
7. Pick a Trunk port (Tagged Ports). Trunk ports are typically the main connection for network traffic for each group. They are usually connected to a network switch, WAPs, etc.
8. Pick the Access port(s) (Untagged Ports) associated with the vLan. Access Ports are typically used for Cameras, etc. If programming locally, ensure your laptop or PC is connected to one of these ports.
9. Save Configuration.
10. Repeat steps 2 - 9 to add another vLan
If unit is accidentally programmed incorrectly and you cannot get into the NetwaySP8 series programming, physically moving ports of your PC connected to the main switch to a correct port (when being programmed remotely), or, as a last resort, completing a factory reset locally and reprogramming the unit.
11. **Advanced Port Settings:**
Unknown VID Packet Forwarding Configuration:
On ingress unknown VID, Forward to a fixed set of ports. By default no forwarding is set.
Configuration on Ingress Untagged Traffic:
Trunk Port action for ingress UNTAGGED packets. By default do not drop packets.
Keep Tag on Egress:
Select if you want ACCESS Port to keep the vLan tag when sending egress packets.
By default tags are stripped.
Preferred VLAN Forwarding:
For ACCESS Ports that belong to more than one vLan. Select preferred vLan to forward UNTAGGED ingress packets. By default preferred vLan is the last vLan created.

Typical VLAN Setup:

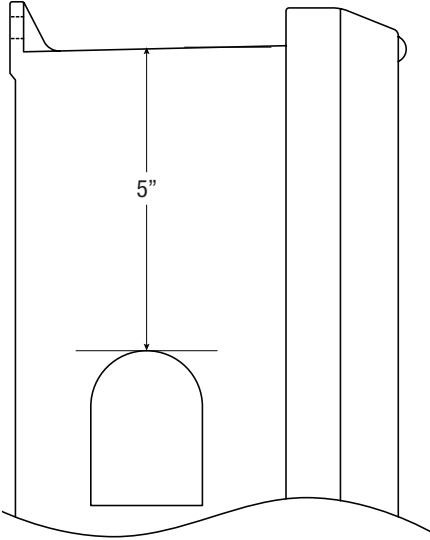
Fig. 4



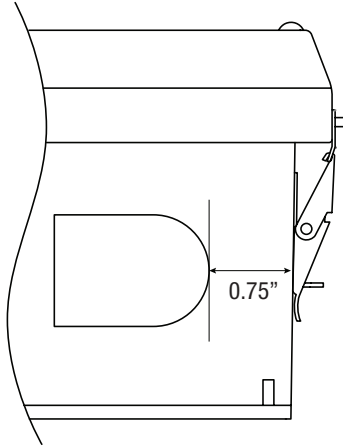
Installing Vent2 on NetWaySP8C3W2:

Fig. 5

Left Side of Enclosure



Bottom of Enclosure

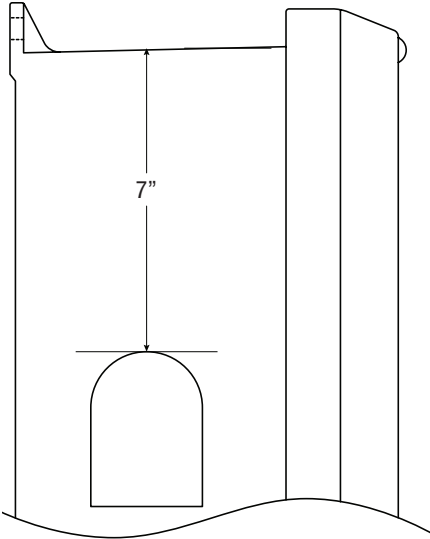


1. Using the template from the Vent2 bag, install the vents in the positions shown above.

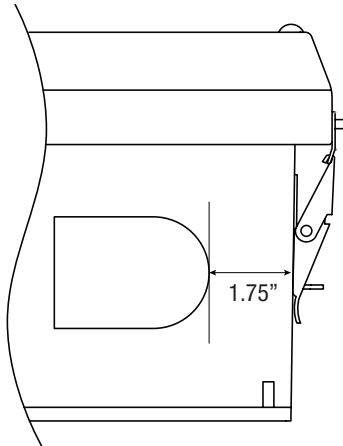
Installing Vent2 on NetWaySP8C3W5:

Fig. 6

Left Side of Enclosure



Bottom of Enclosure

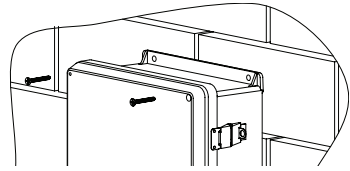


1. Using the template from the Vent2 bag. Install the vents in the positions shown above.

Wall Mount Installation:

- 1- Place unit at desired location and secure with mounting screws (not included) (Fig. 7, pg. 10).

Fig. 7



Pole Mounting Using Optional Pole Mount Kit PMK2:

This installation should be made by qualified service personnel. This product contains no serviceable parts. PMK2 outdoor pole mount kit is designed to simplify the installation of Altronix outdoor rated power supplies and accessories housed in WP5 NEMA rated enclosures. PMK2 can be mounted on 2" to 8" (50.8mm to 203.2mm) diameter round or 5" (127mm) square poles. Brackets are designed for use with the Wormgear Quick Release Straps (two included).

1. Thread one (1) wormgear quick release strap through the slots on the back of a mounting bracket (Fig. 8, pg. 10).
2. Once the desired height of the top Pole Mount bracket is achieved, tighten the straps down by sliding open end of the strap through the locking mechanism on the strap, then tighten the screw with flat head screwdriver or 5/16" hex socket driver (Fig. 9, pg. 10 and Fig. 10, pg. 10).

Fig. 8

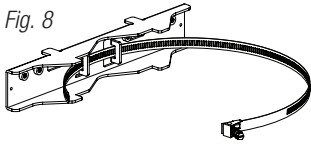


Fig. 9

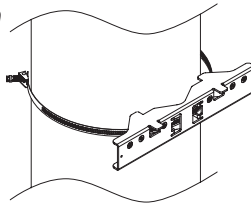
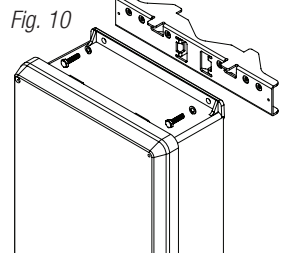


Fig. 10



3. Attach the bottom bracket to the enclosure by inserting bolts through the flange of the enclosure and into the bracket, tightening bolts with a 7/16" hex socket (Fig. 8, pg. 10).
4. Thread the second wormgear quick release strap through the slots on the back of the bottom mounting bracket (Fig. 9, pg. 10).
5. Mount enclosure onto the top bracket by inserting bolts through flange of the enclosure and into the bracket, tightening bolts with a 7/16" hex socket (Fig. 10, pg. 10).
6. Tighten the straps of the bottom bracket down by sliding the open end of the strap through the locking mechanism on the strap, then tighten screw with flat head screwdriver or 5/16" hex socket driver (Fig. 11, pg. 10).
7. Clip excess straps.

Fig. 11

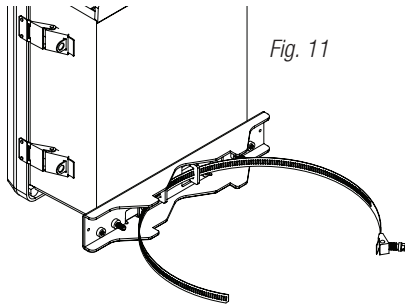


Fig. 12
2" to 8" (50.8mm to 203.2mm)
diameter round pole

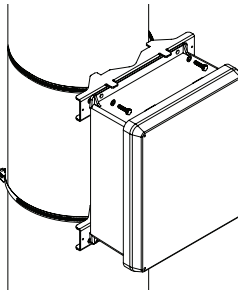
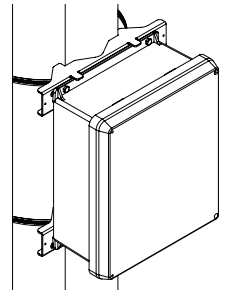


Fig. 12a
5" (127mm) square pole

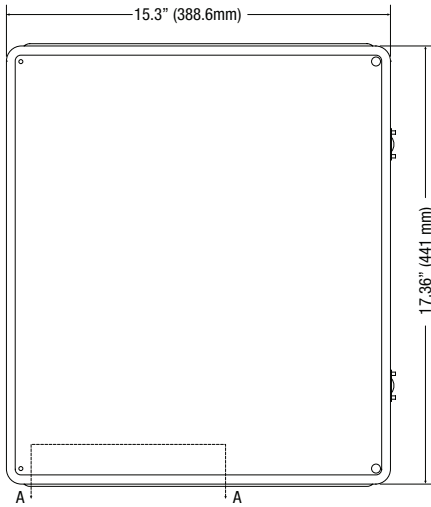


NetWaySP8C3W2

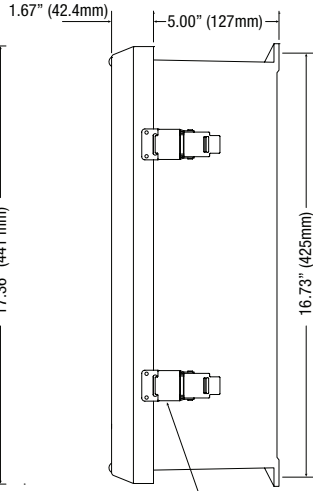
Mechanical Drawing and Dimensions (H x W x D approx.):

17.53" x 15.3" x 6.67" (445.3mm x 388.6mm x 169.4mm)

FRONT VIEW

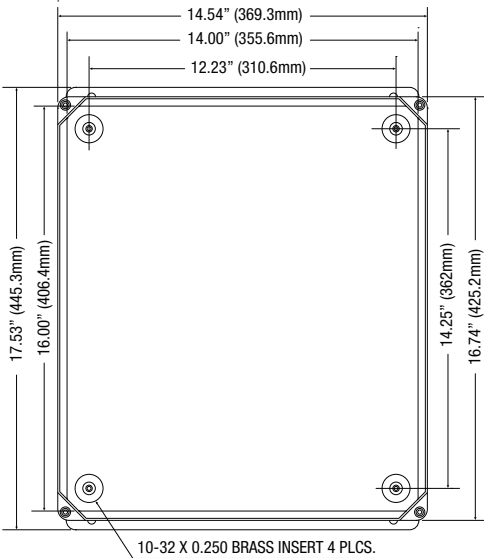


RIGHT SIDE VIEW

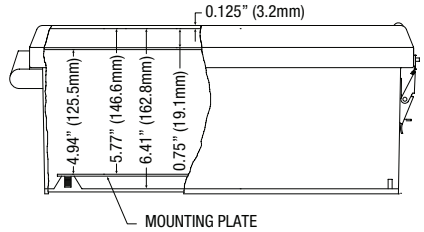


316 STAINLESS STEEL PADLOCK LATCH
ATTACHED WITH RIVETS. Ø 0.375 PADLOCK EYE

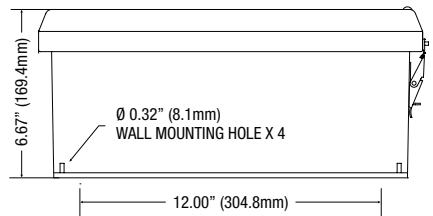
FRONT VIEW COVER REMOVED



SECTION A-A



END VIEW

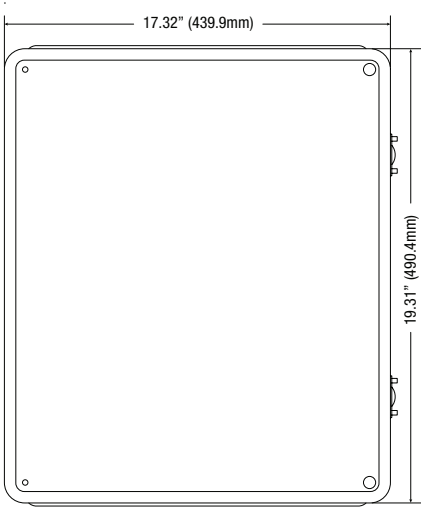


NetWaySP8C3W5

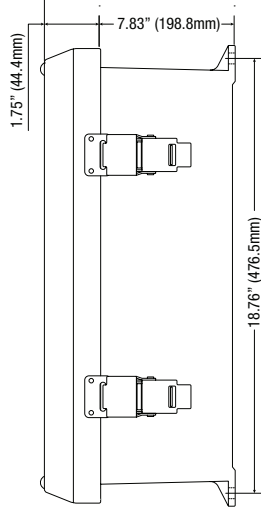
Mechanical Drawing and Dimensions (H x W x D approx.):

19.31" x 17.32" x 9.58" (490.4mm x 439.9mm x 243.3mm)

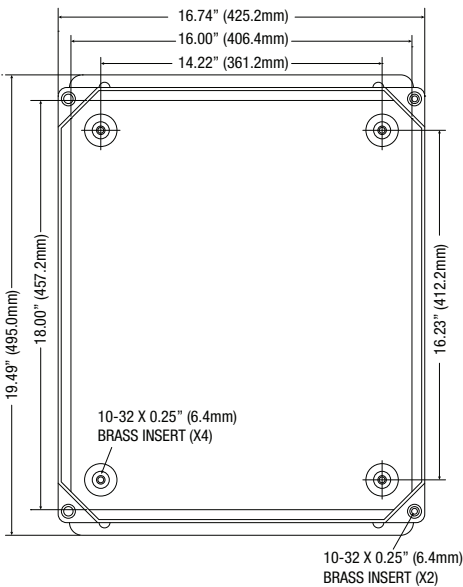
FRONT VIEW



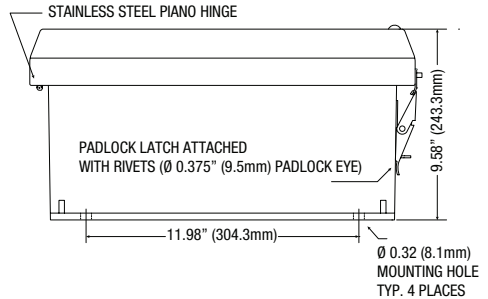
RIGHT SIDE VIEW



FRONT VIEW COVER REMOVED



END VIEW



Altronix is not responsible for any typographical errors.

140 58th Street, Brooklyn, New York 11220 USA | phone: 718-567-8181 | fax: 718-567-9056
 website: www.altronix.com | e-mail: info@altronix.com | Lifetime Warranty
 IINetWaySP8C3W Series J16X



MEMBER