

## Nail-On, Flanged Vapor Box for Devices

Versatile, non-conductive outlet box for new construction. For single 1/2" or 5/8" drywall.

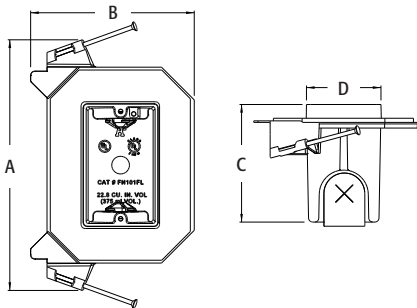
### FEATURES AND BENEFITS

- Fast and easy to install
- Built-in gasketed flange has ultra-thin alignment tabs so there's NO DRYWALL BULGE
- For added convenience, nails ship captive and the installed NM connectors and flange have the gasket material attached—no assembly required!
- Gaskets form a protective barrier that prevents air infiltration inside to meet International Energy Conservation Codes (IECC) and other codes where required
- UL Listed, UV Rated
- 2-hour fire rating

CATALOG NUMBER	UPC/DCI/NAED MFG #018997	DESCRIPTION/ CU. IN.	UNIT PKG	STD PKG	DIM A	DIM B	DIM C	DIM D
FN101FL	09814	Single-gang Nail-on/22.8	25	25	7.664	5.000	3.594	2.277
FN102FL	54222	2-Gang Nail-on/40.5	10	10	7.665	6.811	3.594	4.089



Add suffix "GC" to Catalog # when ordering from Canada to include grounding clip. **PATENTED.**



FN101FL



FN102FL

### Includes...

Non-metallic box with installed NM cable connector and gaskets, (2) captive nails for box installation and (1) plug for unused knockouts.

### INSTALLATION

Position Vapor Box; attach to stud with captive nails. Pull cable through installed cable connector.

