

# Miniature Aluminum Commercial Switch Set



WWW.GRISK.COM

## 4460 Series



- ◆ Wide gap standard at 1”+
- ◆ Miniature size of 1.5” L x 5/8” W
- ◆ Heavy duty extruded aluminum
- ◆ Available with 18” jacketed or armored cable
  - ◆ Custom lead length available
- ◆ Closed loop, Open loop, SPDT & DPDT
- ◆ Recommended for institutional use



The GRI 4460 Series is a compact, nice looking and extremely rugged switch set offered with or without armored cable that looks like it belongs when installed and not added as an after thought.

The 4460 series switch sets are resistant to nuisance vandalism and will blend in to the friendlier and more decorative atmosphere of today’s institution whether it be health care or an education facility.

A robust working gap and mounting versatility make the GRI 4460 a top choice where good looks and adaption to a rough environment are required.

### Part Numbers

	<u>Closed Loop</u>	<u>Open Loop</u>	<u>SPDT</u>	<u>DPDT</u>
Standard Gap 1”	4460 4460A		4462 4462A	4463 4463A
Standard Gap 3/4”		4461 4461A		

GEORGE RISK INDUSTRIES, INC.  
G.R.I. PLAZA  
KIMBALL, NE 69145

WWW.GRISK.COM



1-800-445-5218  
1-800-523-1227  
(308) 235-4645  
FAX (308) 235-3561  
E-MAIL: sales@grisk.com

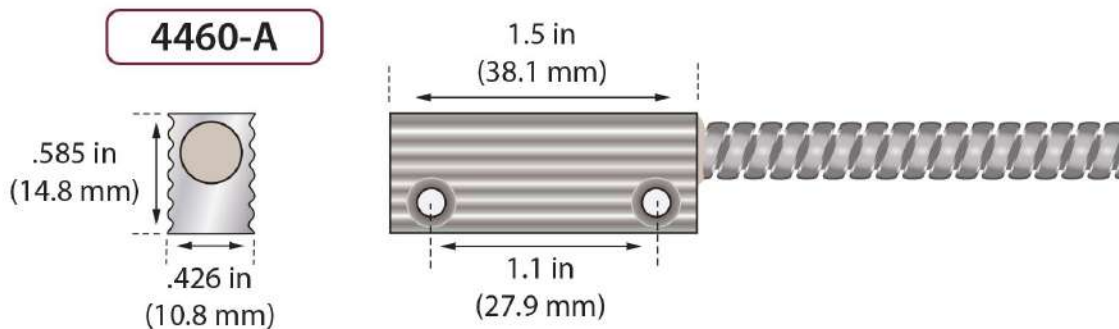
# Industrial Surface Mount Switch Set

WWW.GRISK.COM



## INSTALLATION APPLICATIONS

The GRI 4460 series of contacts are miniature, low profile, extruded aluminum switches intended for installations in commercial and industrial applications where a rugged, encapsulated wide gap contact is required. Idea for institutional use such as hospitals, schools, minimum detention facilities, etc. The 4460 and 4460A both offer the installer a 1" plus working gap for loose fitting doors, gates, etc. Available in closed loop, open loop, SPDT and DPDT, this series of contacts can be purchased with 19" of jacked wire leads or armored cable. Since the 4460 series is polarity sensitive, the poles are printed on the magnet case to indicated mounting direction. Mounting hardware and spacers provided with switch set. Optional S-44 mounting bracket sold separately.



**Magnets have same case as switch.**

### GRI PRODUCTS MEET OR EXCEED THESE MINIMUM GENERAL SPECIFICATIONS:

Part Number	Loop Type	Electrical Configuration	Reed Form	Max. Initial Contact Resistance ( $\Omega$ )	Max. Contact Rating (W)	Max. Switching Voltage (VDC)	Max. Switching Current (A)
4460	Closed	N/O	A	.150	10	200	.500
4460A	Closed	N/O	A	.150	10	200	.500
4461	Open	N/C	B	.140	5	175	.250
4461A	Open	N/C	B	.140	5	175	.250
4462	Open/Closed	SPDT	C	.140	5	175	.250
4462A	Open/Closed	SPDT	C	.140	5	175	.250
4463	Open/Closed	DPDT	CX2	.140	5	175	.250
4463A	Open/Closed	DPDT	CX2	.140	5	175	.250

**WARRANTY:** Lifetime warranty against workmanship, material and factory defects.

GEORGE RISK INDUSTRIES, INC.  
G.R.I. PLAZA  
KIMBALL, NE 69145

WWW.GRISK.COM



1-800-445-5218  
1-800-523-1227  
(308) 235-4645  
FAX (308) 235-3561  
E-MAIL: sales@grisk.com