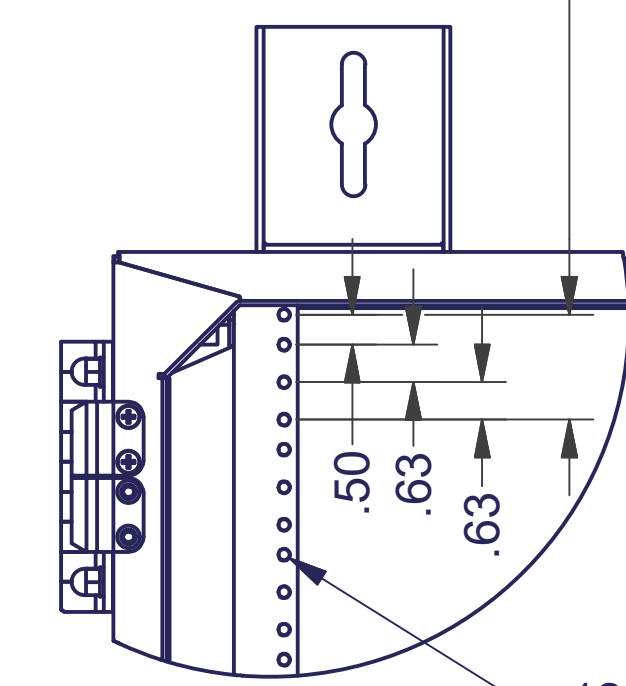


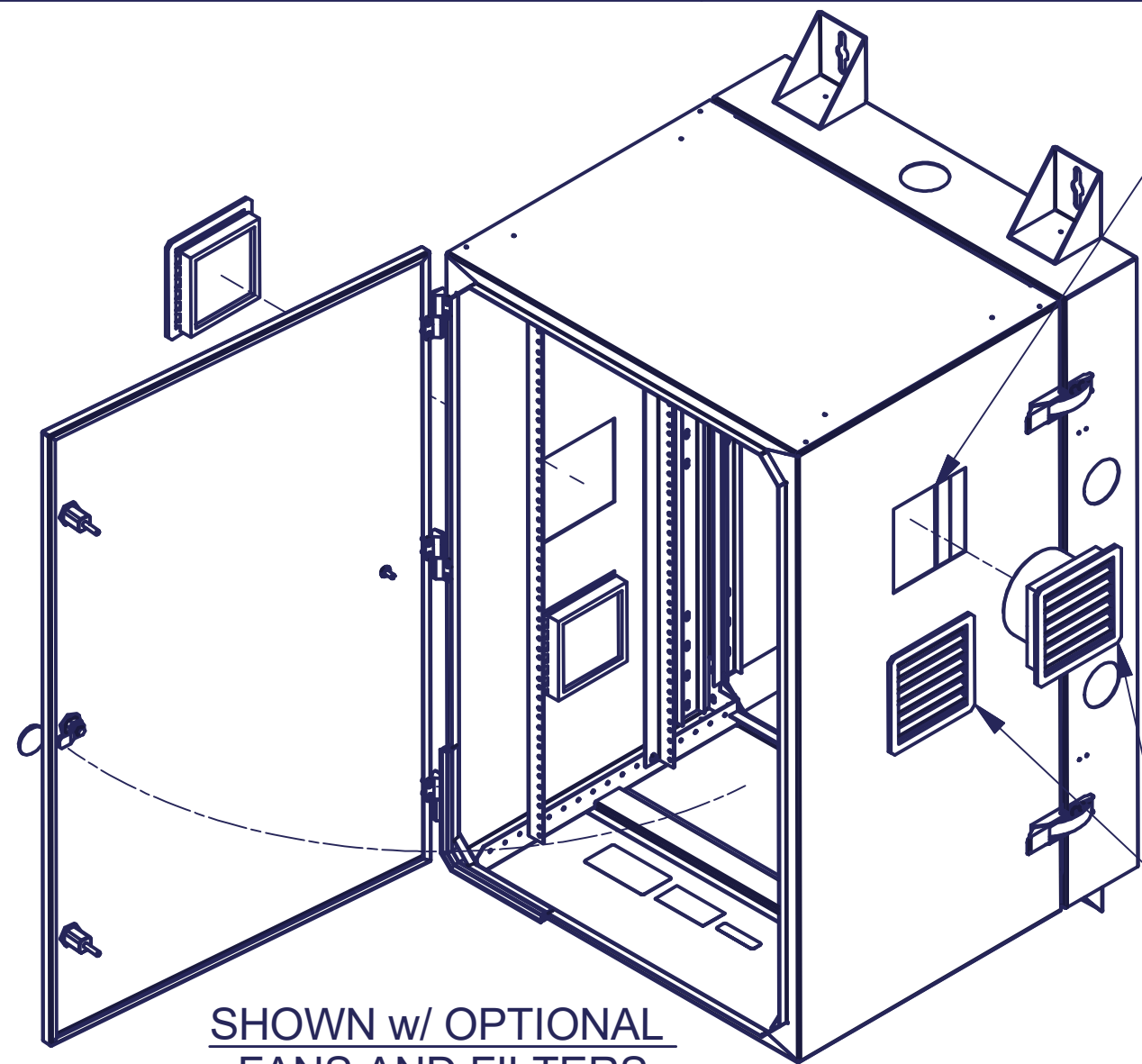
1.75 (1 RMU)
PATTERN REPEATS



DETAIL B

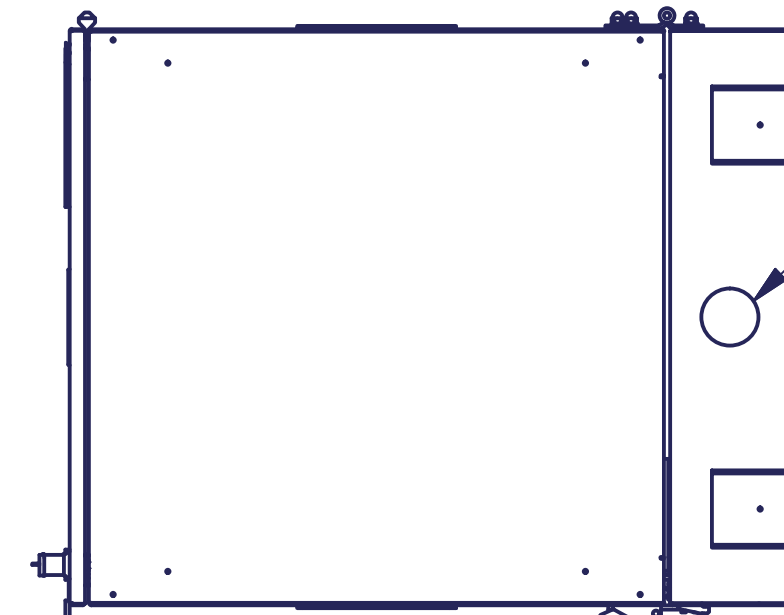
12-24 UNC - 2B EQUIPMENT
MTG HOLES IN 12 GA RAILS.
19" EIA 310-E COMPLIANT

NUMBER OF GLAND PLATES
FOR OPTIONAL FAN/FILTER
INSTALLATION VARY BASED
ON HEIGHT OF WALL MOUNT;
SEE TABLE BELOW



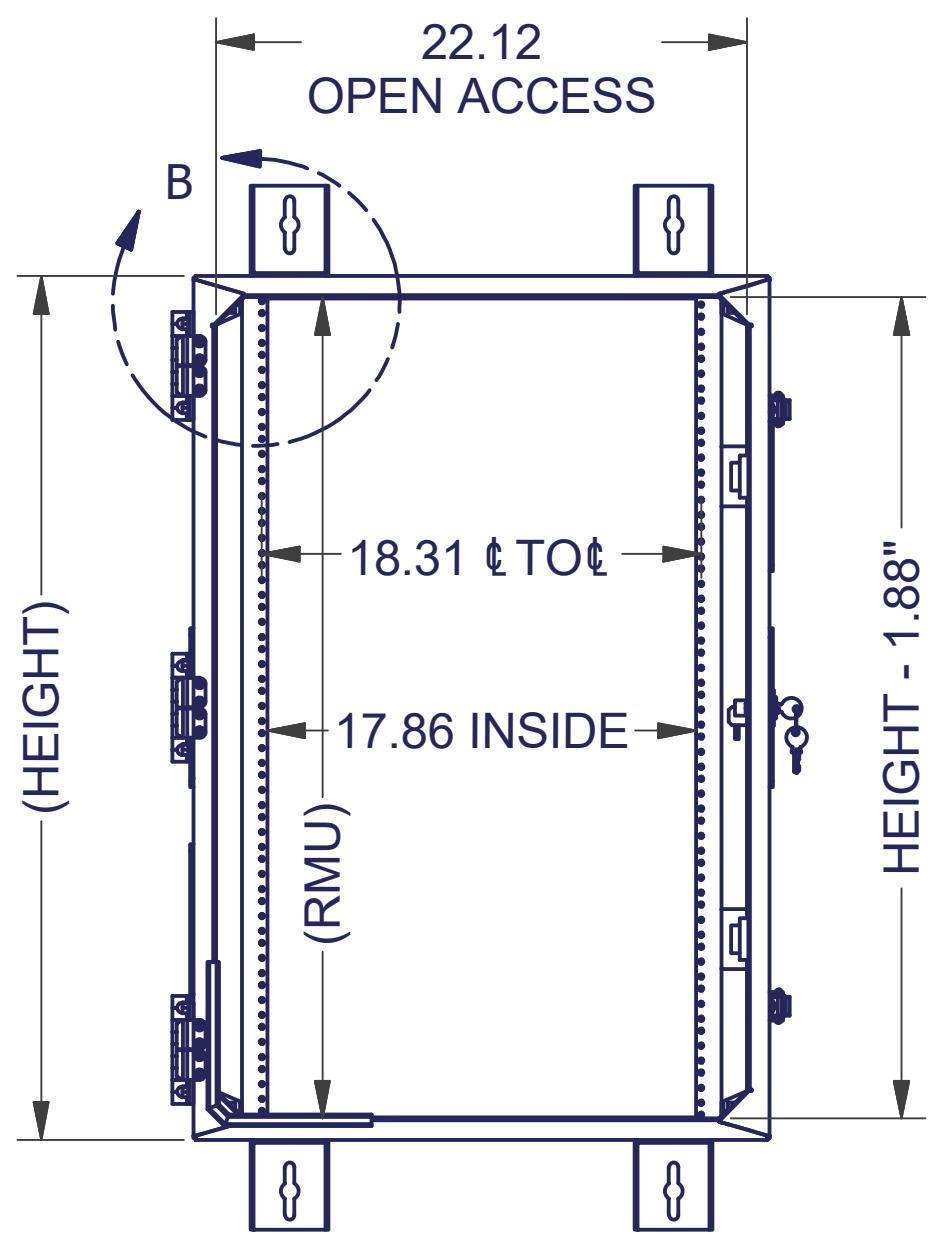
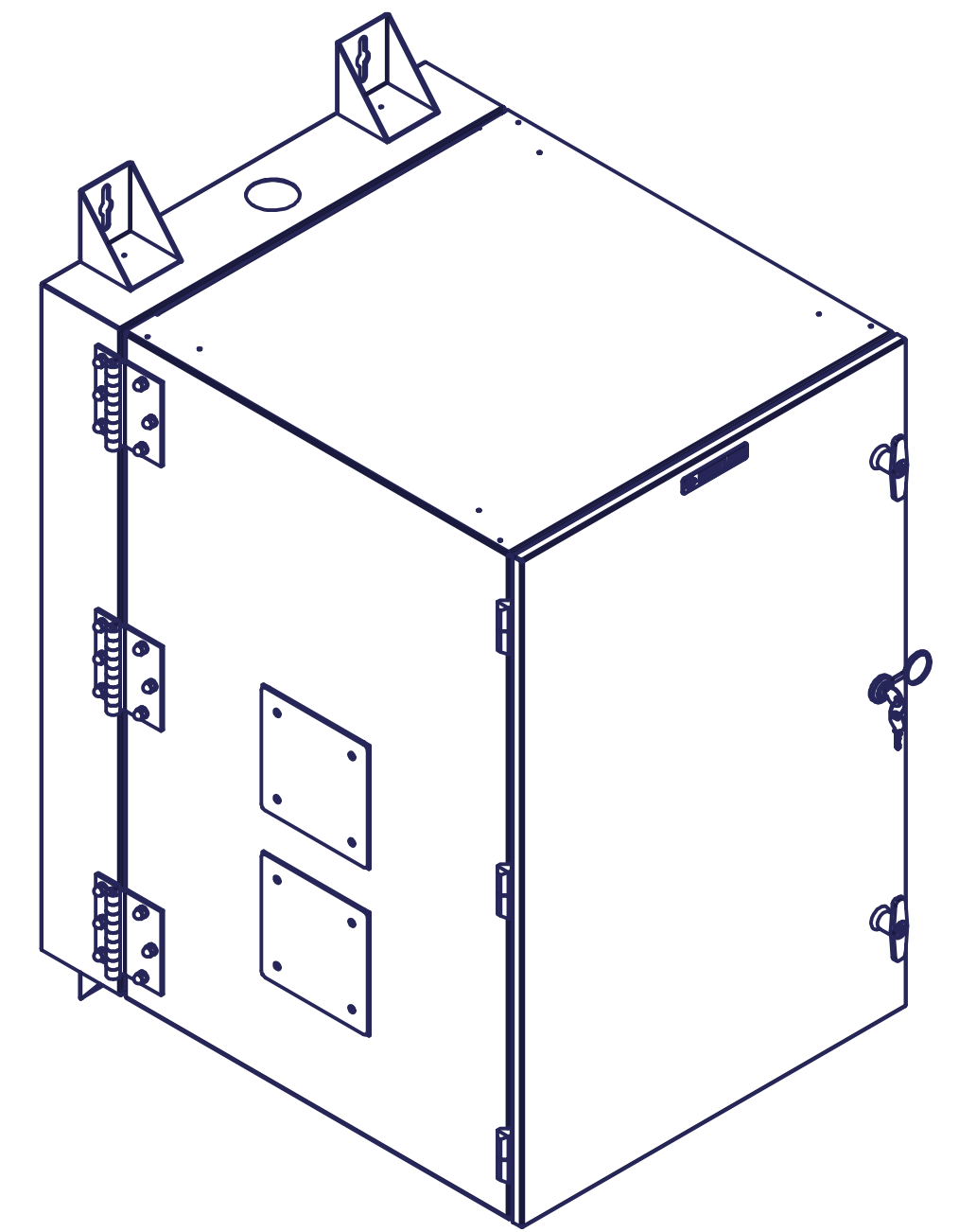
SHOWN w/ OPTIONAL
FANS AND FILTERS

OPTIONAL INTAKE
FAN SHOWN

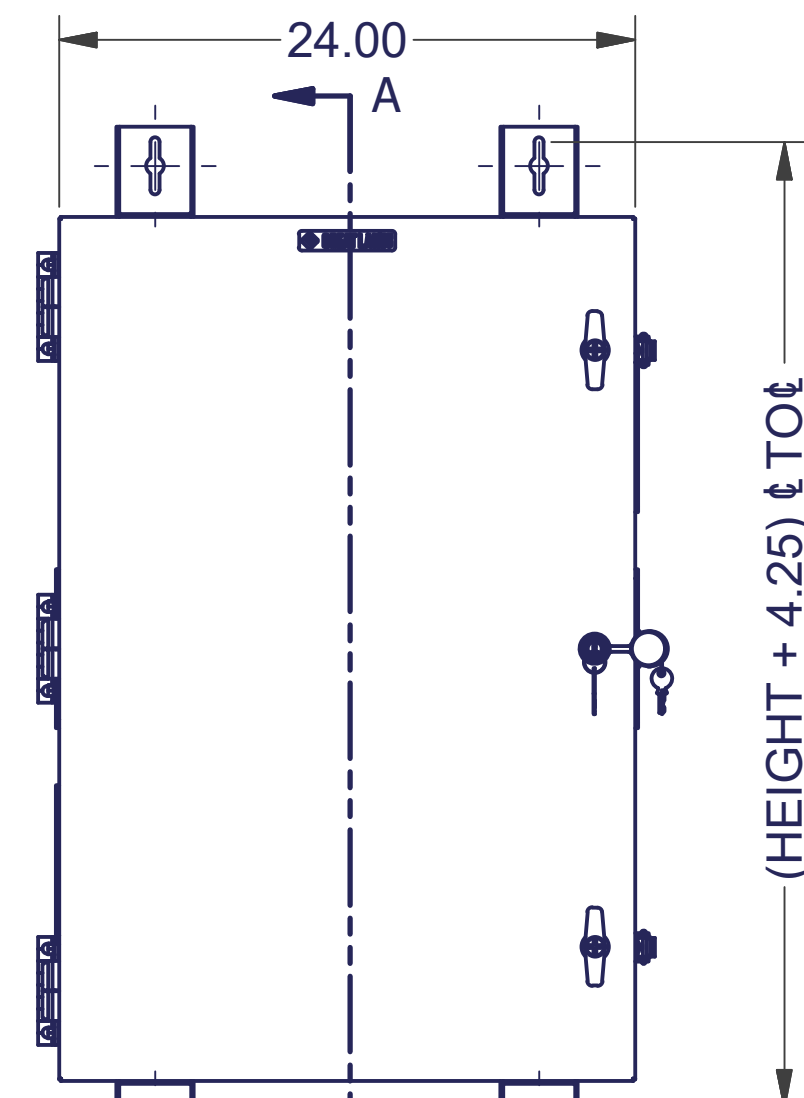


TOP VIEW

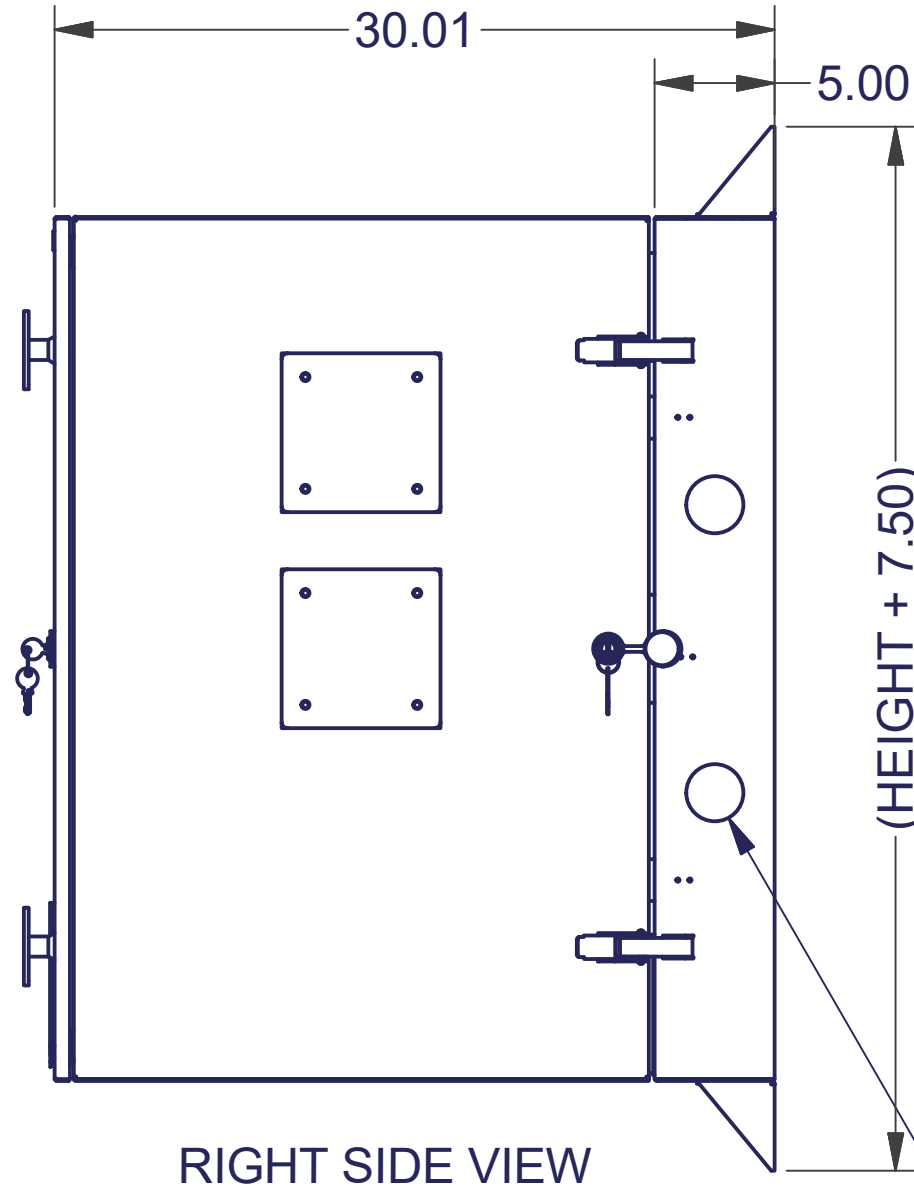
REAR TOP CABLE ACCESS
FOR 2" NOMINAL CONDUIT
(Ø2.469 ACTUAL HOLE SIZE)



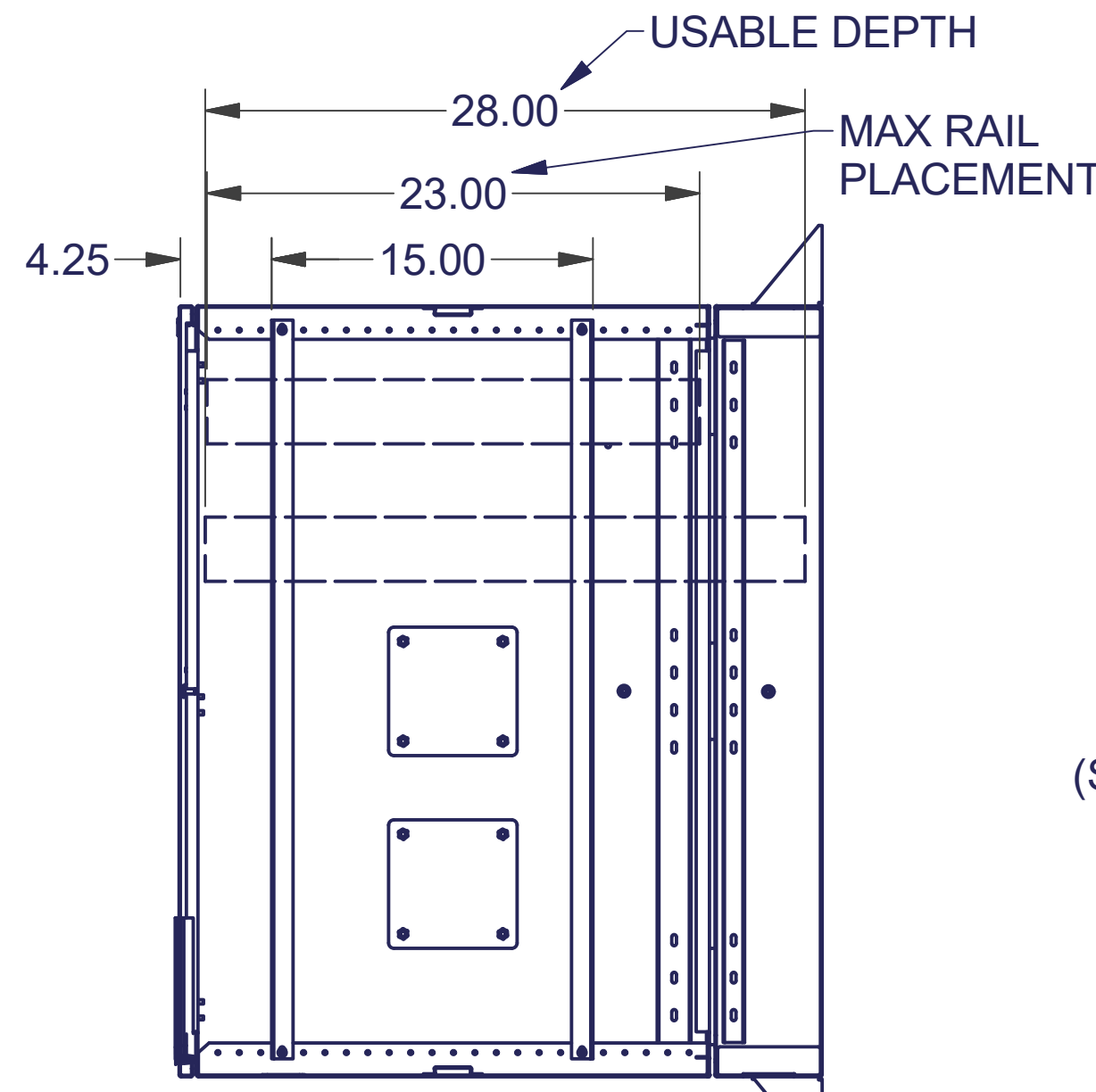
FRONT VIEW
w/ DOOR REMOVED



FRONT VIEW



RIGHT SIDE VIEW



SECTION A-A
(RIGHT SIDE VIEW)

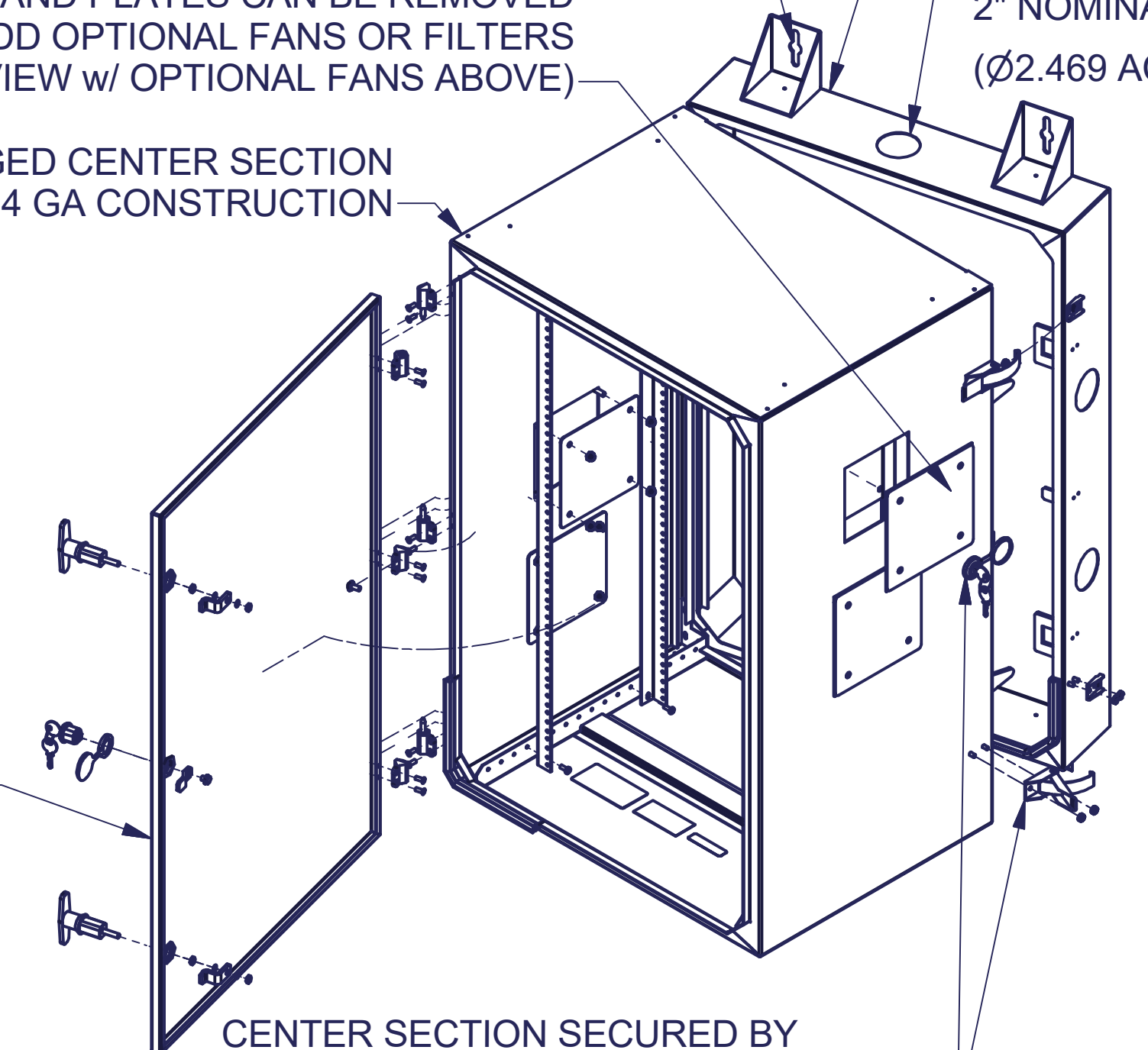
RIGHT SIDE CABLE ACCESS
FOR 2" NOMINAL CONDUIT
(Ø2.469 ACTUAL)

Ø1/4" LAG SCREWS RECOMMENDED
FOR MOUNTING INTO WALL STUDS
GLAND PLATES CAN BE REMOVED
TO ADD OPTIONAL FANS OR FILTERS
(SEE VIEW w/ OPTIONAL FANS ABOVE)

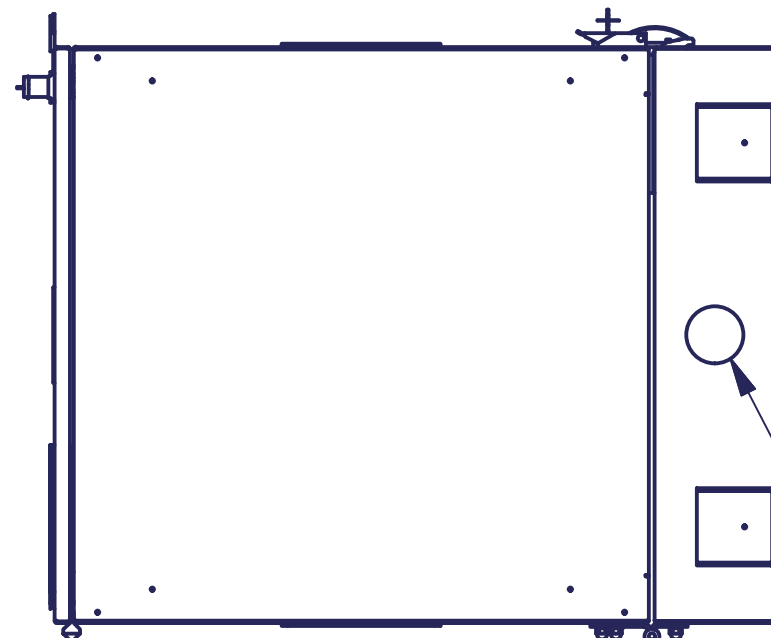
REAR SECTION
OF 14 GA CRS
CONSTRUCTION

REAR CABLE
ACCESS FOR
2" NOMINAL CONDUIT,
(Ø2.469 ACTUAL)

HINGED CENTER SECTION
OF 14 GA CONSTRUCTION



CENTER SECTION SECURED BY
OVER-CENTER LATCHES AND A
KEY-LOCKING LATCH w/ DUST COVER



BOTTOM VIEW

REAR BOTTOM CABLE ACCESS
FOR 2" NOMINAL CONDUIT
(Ø2.469 ACTUAL HOLE SIZE)

SOLID HINGED 16 GA FRONT DOOR
w/ (2) DRAW LATCHES PLUS A KEY
LOCKING LATCH w/ DUST COVER

SPECIFICATIONS: NEMA-12K WALL MOUNT

RATING: INDEPENDENTLY TESTED & CERTIFIED, NEMA-250-1997 TYPE 12.
UL508A Listed.

RACK SPACES: 19" EIA 310-E COMPLIANT -SEE CHART FOR RMU

COLOR: DURABLE BLACK TEXTURED POWDER COAT

CONSTRUCTION: 2 PAIR OF #12-24 THREADED MOUNTING RAILS, #12GA

#14GA CENTER BODY, #16GA FRONT DOOR

ACCEPTS 2" CONDUIT SIZES FOR CABLE ACCESS

FRONT DOOR & REAR SECTION LOCK INDEPENDENTLY.

USABLE DEPTH: 28.0"

NOTE FOR REVERSE SWING OF WALLMOUNT

-IDENTICAL FEATURES ON FRONT AND REAR,
TOP AND BOTTOM OF WALLMOUNT TO HAVE
REVERSIBLE MOUNTING FOR LEFT-HAND OR
RIGHT-HAND OPENING.

INTERPRET DRAWING PER ASME Y14.5M-1994
DIMENSIONAL LIMITS APPLY AFTER APPLICATION OF FINISH
DRAWING NOT TO SCALE
TOLERANCE UNLESS OTHERWISE NOTED:
ANGULAR +/- .1°
.XXXX +/- .010
.XXX +/- .015
.XX +/- .030
.X FOR REF. ONLY

NOTICE:

Use of this document is subject to
a confidentiality and nondisclosure
agreement with Great Lakes Data
Racks and Cabinets and may
not be reproduced, disclosed or
utilized in whole or in part without
prior written authorization.

PART NUMBER: GLXXN12-30-B-XXXX	TITLE: N12D SERIES ("AF" FAN VERSION)
MATERIAL TYPE:	GREAT LAKES DATA RACKS AND CABINETS
MATERIAL GAUGE:	P.O. BOX 551 EDINBORO, PA 16412
FINISH:	PHONE (814) 734-7303 FAX (814) 734-3907
DRAWN: PCS	DATE: 3/25/2020
CHECKED & APP.:	DATE:
DWG NO: N12D	REV: 1
SHEET: 1 OF 1	

Table					
PART NUMBER	HEIGHT	RMU	WEIGHT CAP	COLOR	COOLING
GL24N12-30-B-AF00	24.0"	12	150 lb	BLACK	OPTIONAL
GL24N12-30-B-AFFF	24.0"	12	147 lb	BLACK	1 FAN/FILTER KIT INCLUDED
GL36N12-30-B-AF00	36.0"	19	250 lb	BLACK	OPTIONAL
GL36N12-30-B-AFFF	36.0"	19	247 lb	BLACK	1 FAN/FILTER KIT INCLUDED; 1 ADD'L UNIT CAN BE INSTALLED
GL48N12-30-B-AF00	48.0"	26	300 lb	BLACK	OPTIONAL
GL48N12-30-B-AFFF	48.0"	26	295 lb	BLACK	1 FAN/FILTER KIT INCLUDED; 2 ADD'L UNITS CAN BE INSTALLED



EST. WEIGHT:
N/A

UNLESS OTHERWISE SPECIFIED
ALL DIMENSIONS ARE IN INCHES