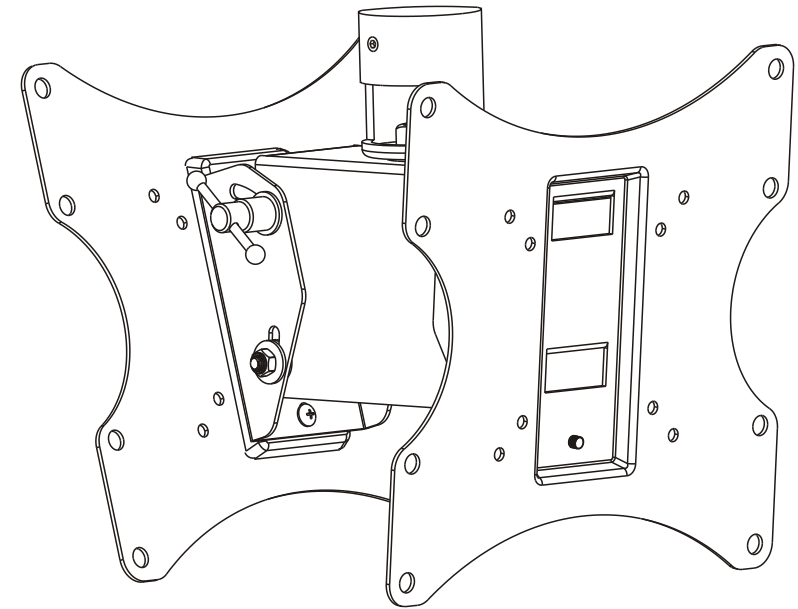


Premium Mount Inc  
7300 Bolsa Ave., Westminster, CA 92683 -  
Phone: 714-766-6307

INSTALLATION MANUAL

# Dual-Flat Panel Ceiling Mount Accessory



**CMA-02**



75x75/100x100  
200x100/200x200



ISSUED: MAR. 2013

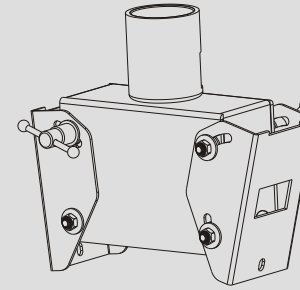
**NOTE:** Read the entire instruction manual before you start installation and assembly.

## WARNING

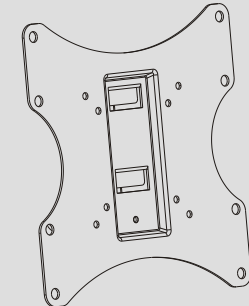
- Do not begin the installation until you have read and understood all the instructions and warnings contained in this installation sheet. If you have any questions regarding any of the instructions or warnings, please contact your local distributor.
- This mounting bracket was designed to be installed and utilised **ONLY** as specified in this manual. Improper installation of this product may cause damage or serious injury.
- Always use an assistant or mechanical lifting equipment to safely lift and position the equipment.
- Tighten screws firmly, but do not over tighten. Over tightening can cause damage to the items, This greatly reduces their holding power.
- This product is intended for indoor use only. Using this product outdoors could lead to product failure and personal injury.

## Component Checklist

**IMPORTANT:** Ensure that you have received all parts according to the component checklist prior to installation. If any parts are missing or faulty, telephone your local distributor for a replacement.



ceiling mount head (x1)  
A



VESA plate (x2)  
B



M5x6 (x2)  
C



set screw(x1)  
D

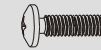


Allen key (x1)  
E

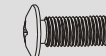
## Package M



M4x14 (x4)  
M-A



M5x14 (x4)  
M-B



M6x14 (x4)  
M-C



M8x20 (x4)  
M-D



D5 washer (x4)  
M-E



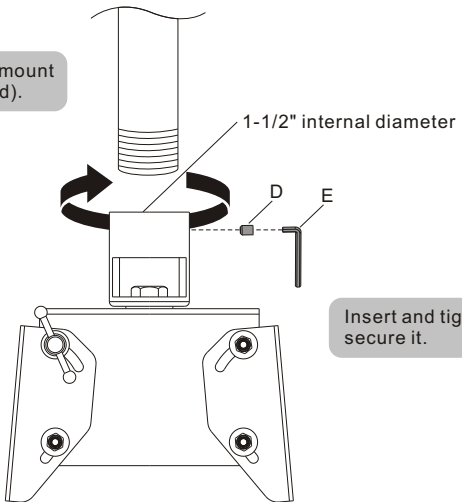
D8 washer (x4)  
M-F



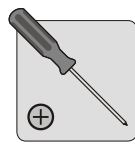
small spacer (x8)  
M-G

## 1. Attaching the Ceiling Mount Head to the Pipe

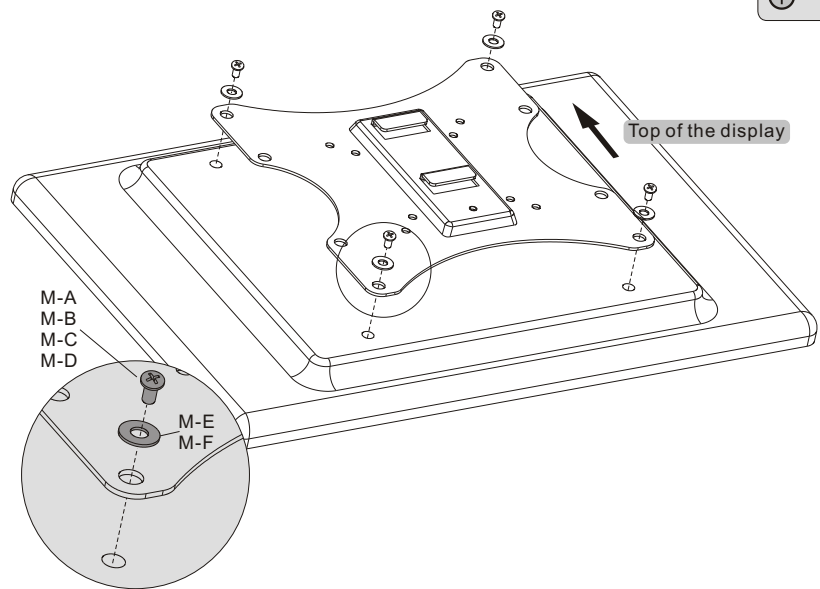
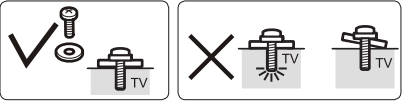
Thread and tighten the ceiling mount head onto the pipe(not included).



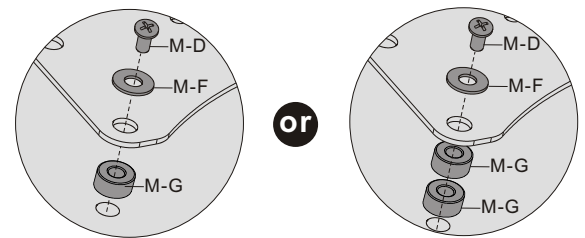
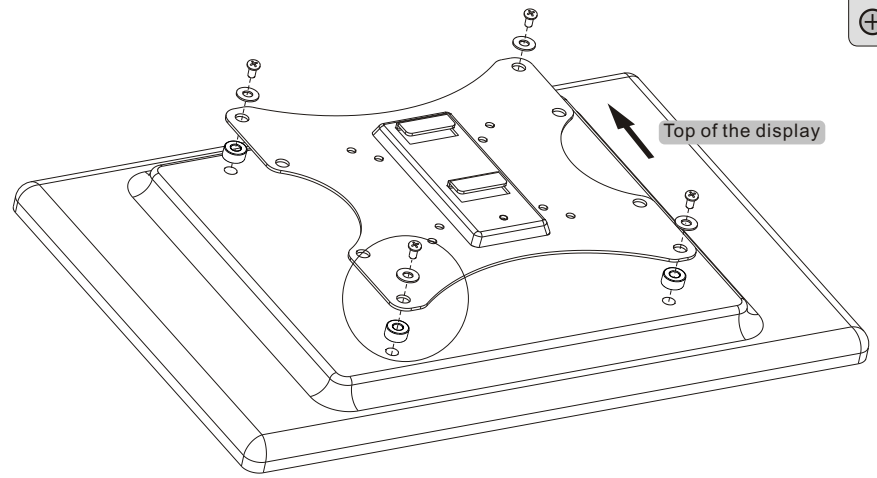
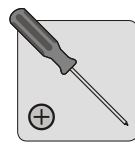
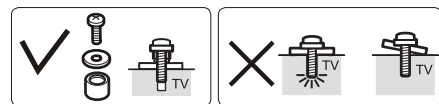
Insert and tighten one set screw to secure it.



## 2. Installing the VESA Plate



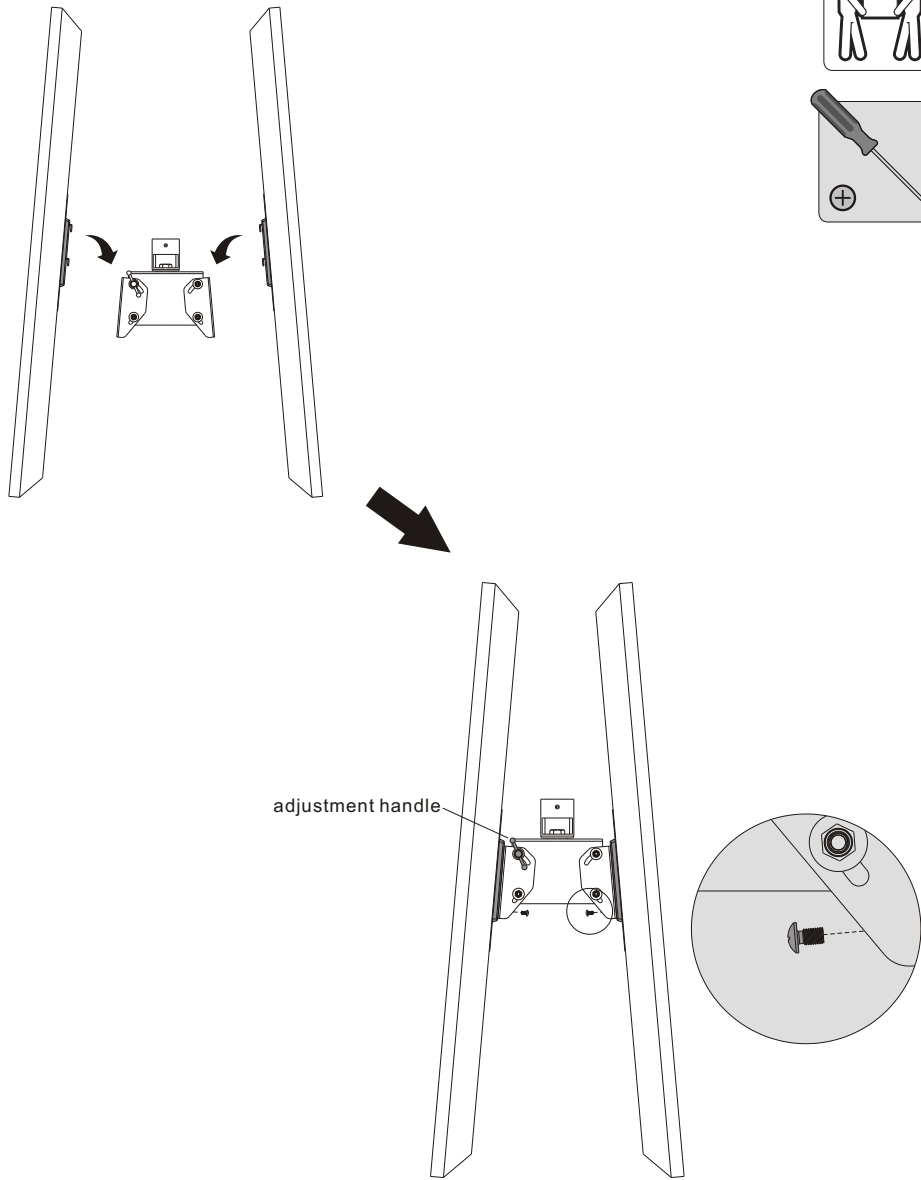
## 3. Mounting the Display to the VESA Plate



**Note:** Choose the appropriate screws, washers and spacers (if necessary) according to the type of screen. Screw the VESA plate onto the display.

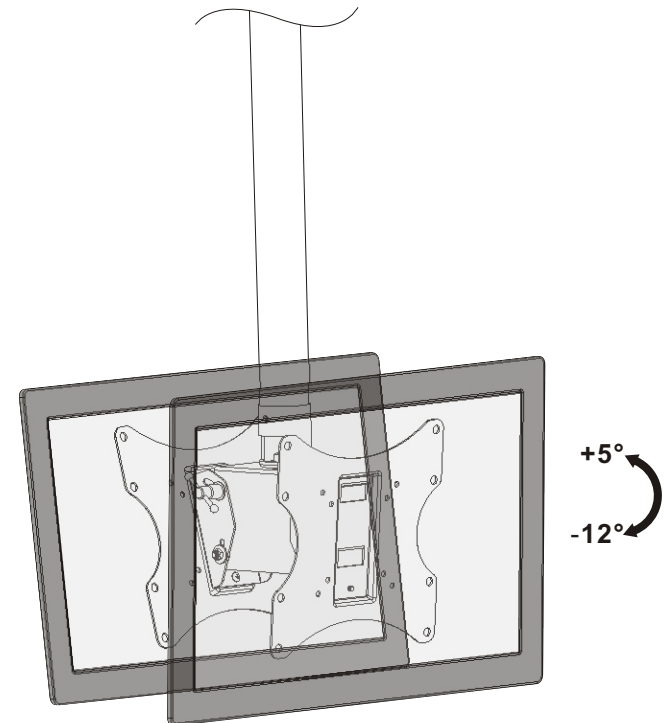
**⚠ Tighten all screws but do not over tighten.**

### 3. Hanging the Displays onto the Ceiling Mount Head



- Hook the VESA plate (attached the display) onto the ceiling mount head and tighten the screw to secure them.
- Repeat previous step for the other display installation.

### 4. Adjustment



- Maintenance**
- Check that the bracket is secure and safe to use at regular intervals(at least every three months).
  - Please contact your dealer if you have any questions.